

# Lindab **Protect**

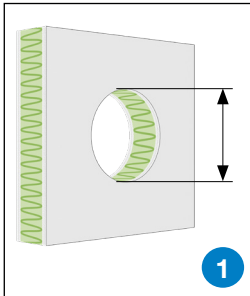
## **Fire Damper FNC1U (EI60S (V<sub>e</sub> h<sub>o</sub> I <-> O) S)**

Installation instructions

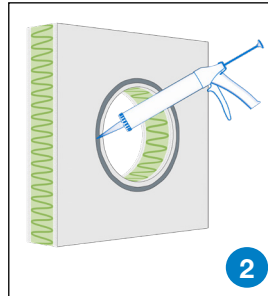
2020-10-28



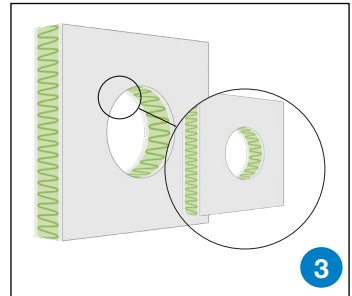
## Lightwall installation



1  
Cut a hole in the wall.  
According to below alternatives, A or B.



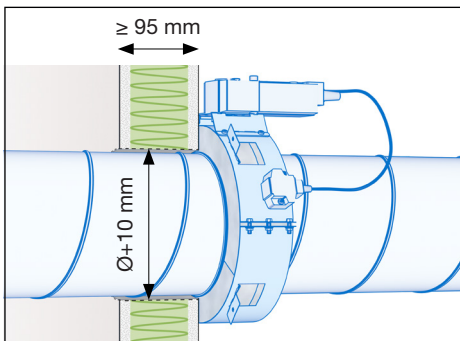
2  
Seal with fire rated mastic  
between the wall and/or on  
the damper ring.



3  
Fold the brackets against the wall  
and fasten them with screws.  
Use screws that secure a good  
attachment.

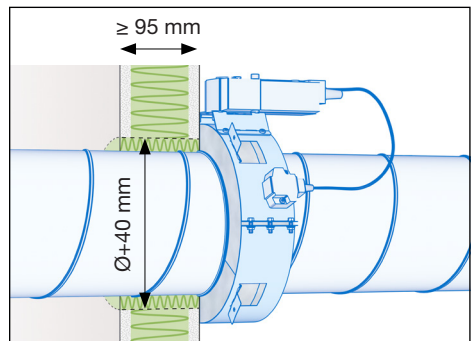
### Alternative: A ( $\text{Ød} + \text{max. } 10\text{mm}$ )

No extra insulation

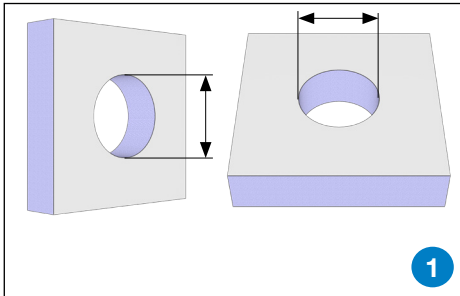


### Alternative: B ( $\text{Ød} + \text{max. } 40\text{mm}$ )

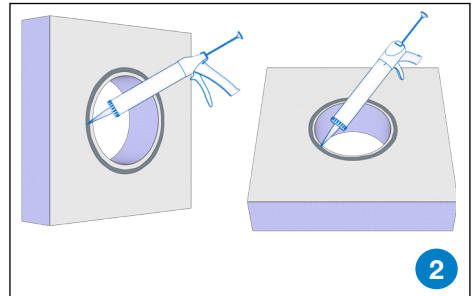
Fill and close the gap inside the wall with  
mineral wool min.  $35 \text{ kg/m}^3$ . And seal with fire  
resistance.



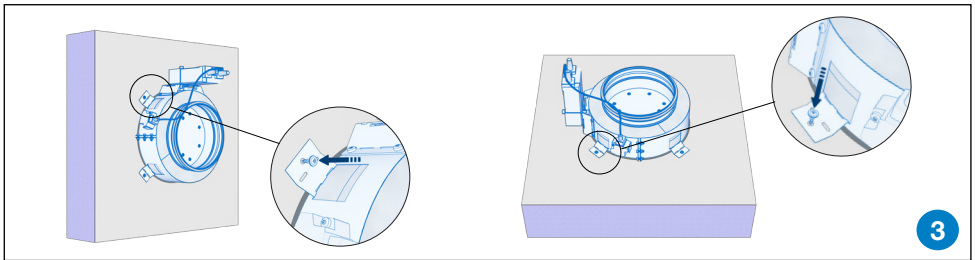
Rigid wall and floor installation



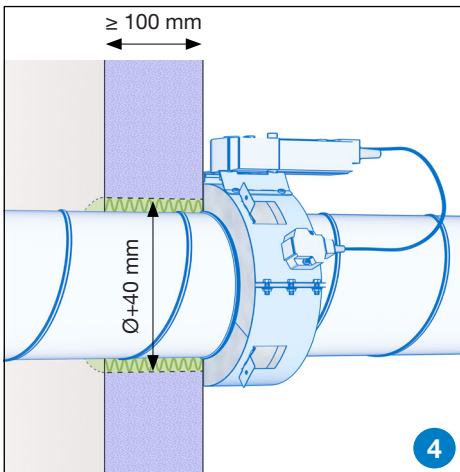
Cut a hole in the wall or floor. Ventilation duct diameter +40 mm.



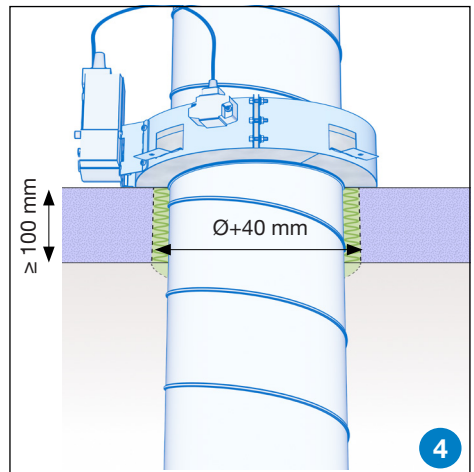
Seal with fire rated mastic between the wall/floor and/or on the damper ring.



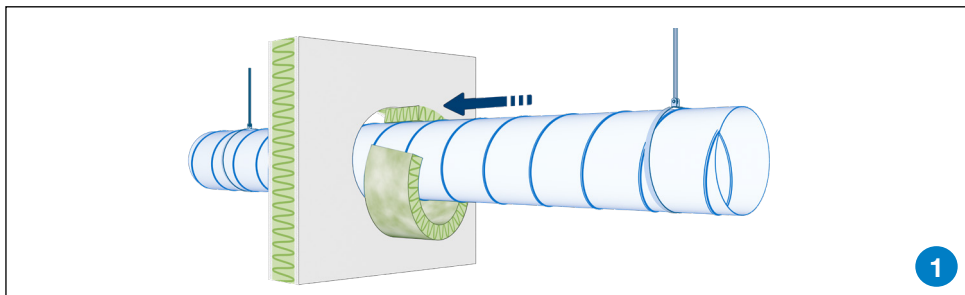
Fold the brackets against the wall/floor and fasten them with screws.



Fill and close the gap inside the wall with mineral wool min. 35 kg/m<sup>3</sup>.  
And seal with fire rated mastic.

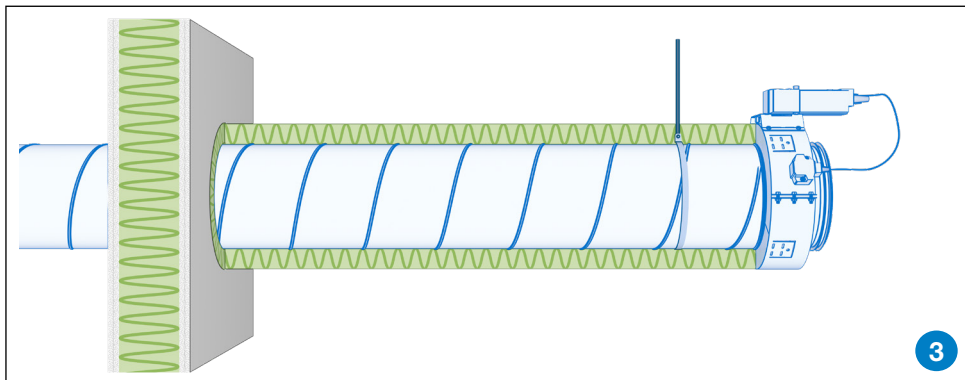
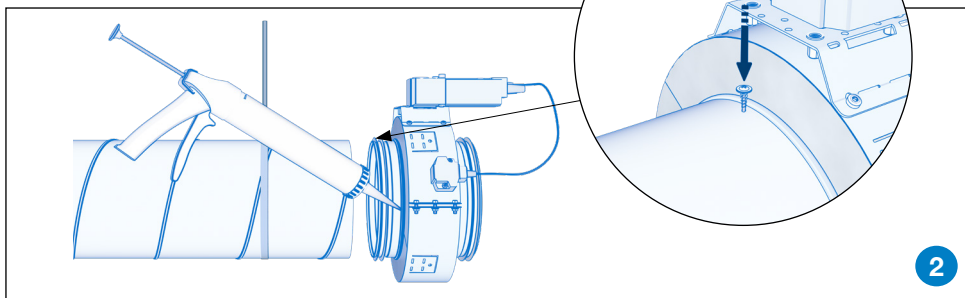


## Remote from wall installation



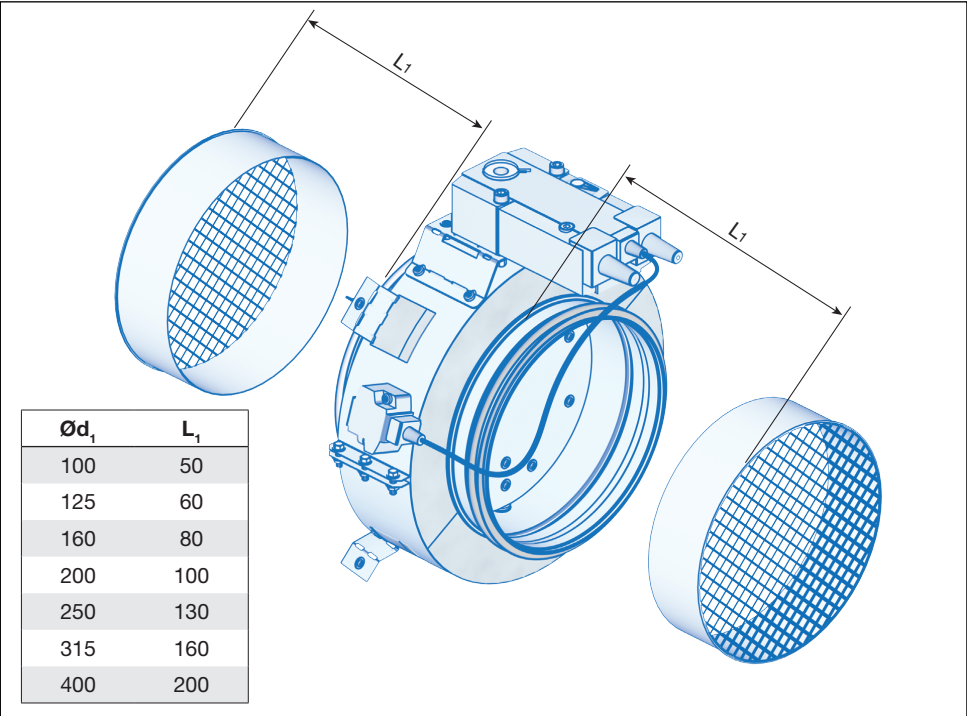
Fill and close the gap inside the wall with mineral wool min. 35 kg/m<sup>3</sup>.  
And seal with fire rated mastic.

Seal the gap between duct and damper and fasten the damper to the duct with 4 x screws or steel rivets.

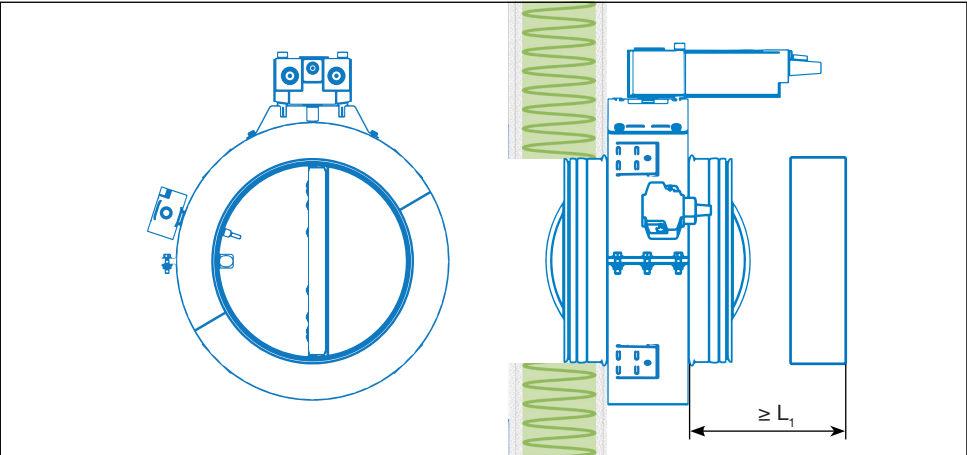


Add insulation and secure the suspension according to general regulations.

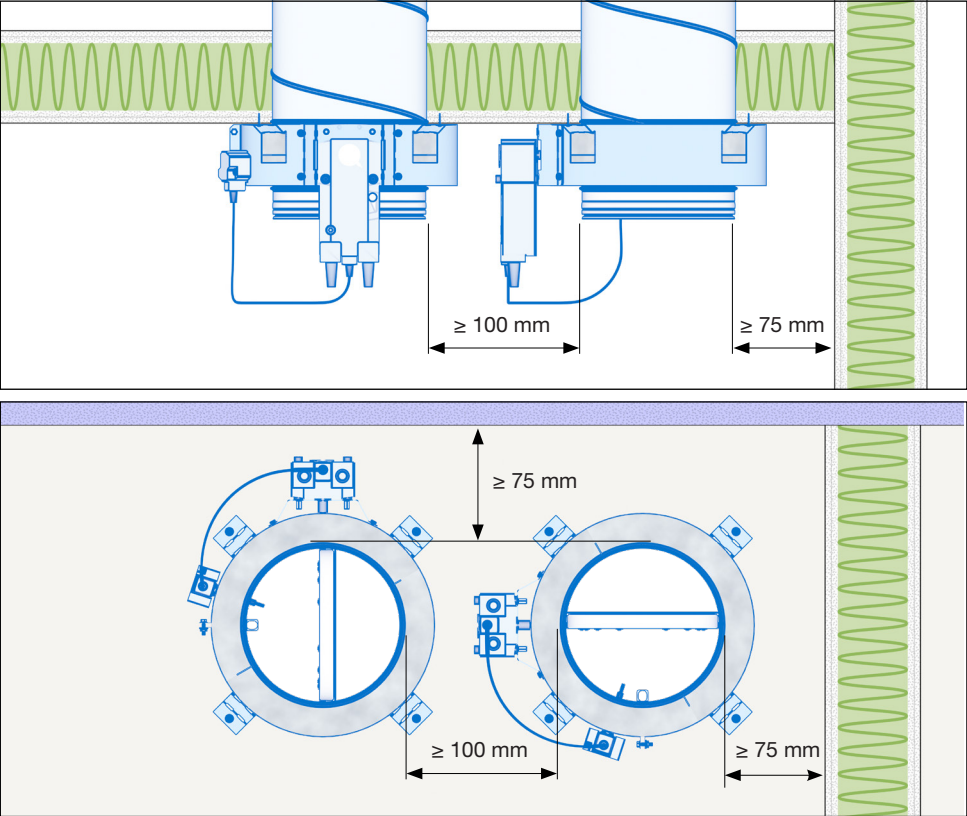
Transfer/overflow installation



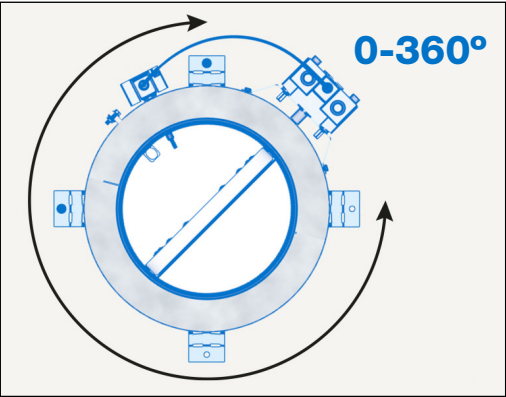
The distance between damper and end of the grill is the  $L_1$  distance shown in the table above.



Positioning

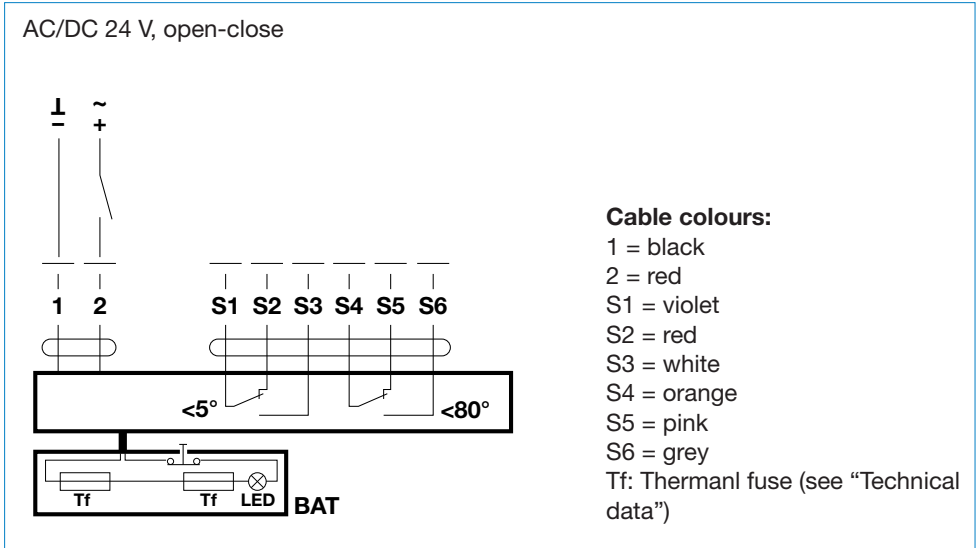


The distances shown above is the minimum distances allowed.



Wiring

Wiring diagrams – Belimo 24 V





# Good Thinking

**At Lindab**, good thinking is a philosophy that guides us in everything we do. We have made it our mission to create a healthy indoor climate – and to simplify the construction of sustainable buildings. We do that by designing innovative products and solutions that are easy to use, as well as offering efficient availability and logistics. We are also working on ways to reduce our impact on our environment and climate. We do that by developing methods to produce our solutions using a minimum of energy and natural resources, and by reducing negative effects on the environment. We use steel in our products. It's one of few materials that can be recycled an infinite number of times without losing any of its properties. That means less carbon emissions in nature and less energy wasted.

**We simplify construction**