

# Bend – long

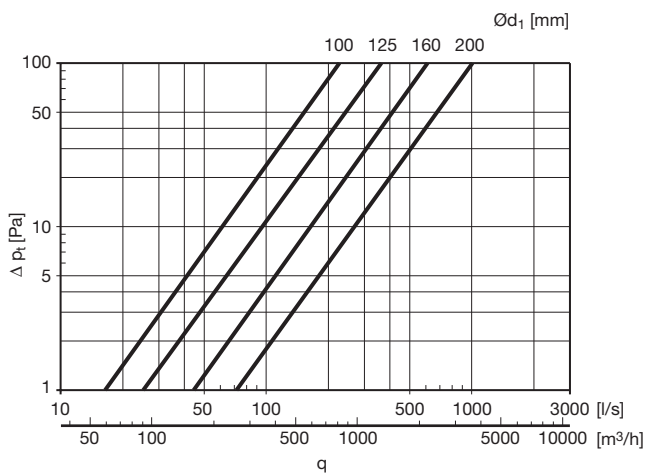
# BSU 90°



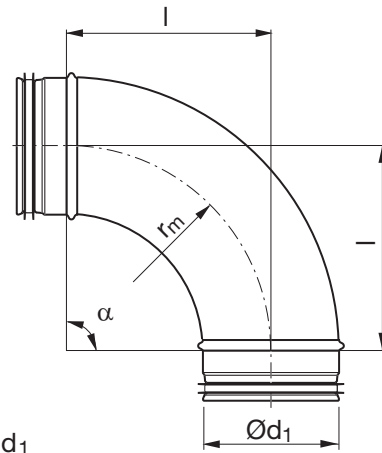
## Description

Pressed and seam welded bend.

## Technical data

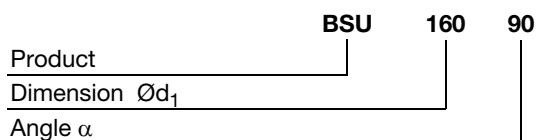


## Dimensions



$\varnothing d_1$ nom	$l$ [mm]	$m$ [kg]
100	150	0,50
150	225	0,95
160	240	1,14

## Ordering example



# Bend – long

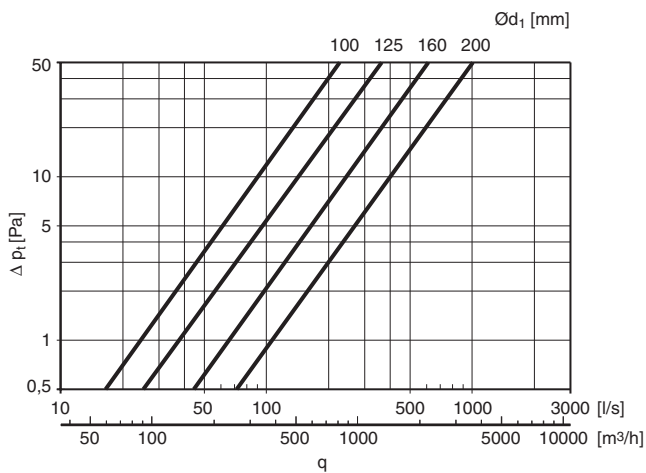
# BSU 45°



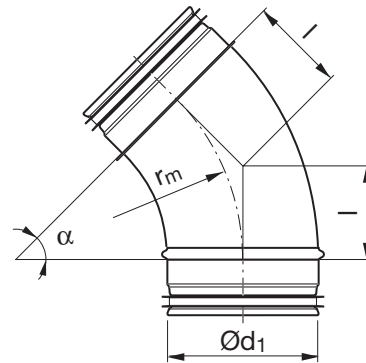
## Description

Pressed and seam welded bend.

## Technical data



## Dimensions



$$r_m \approx 1,5 \cdot d_1$$

$\text{Ø}d_1$ nom	$l$ [mm]	$m$ [kg]
100	62	0,26
150	93	0,49
160	100	0,59