

# Lindab **PRU**

Installation instruction - UK  
Asennusohje - FI  
Montageanleitung - DE  
Istruzioni di montaggio - IT  
Instructions de montage - FR



# Installation instruction

# PRU

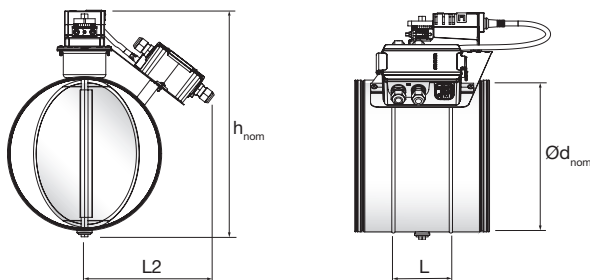
Product  
Tuote  
Produkt  
Prodotto  
Produit

## Universal model



Dimensions  
Mitat  
Maße  
Dimensioni  
Dimensions

## Universal model



## Dimension table

$\text{Ø}_{\text{d}_{\text{nom}}}$ mm	L mm	L2 mm	$h_{\text{nom}}$ mm	Weight Kg
100	182	172	223	1.9
125	182	183	248	2.0
160	182	195	283	2.2
200	182	205	323	2.5
250	222	213	373	3.0
315	222	219	438	3.7
400	262	223	523	4.1
500	262	226	623	6.3
630	262	228	753	8.1

$h_{\text{nom}}$  and Weight is shown in the table for PRU-UNI.

SPR:  $h_{\text{nom}} + 20$  mm. and weight + 1.5 kg

FAS:  $h_{\text{nom}} + 15$  mm. and weight + 0.4 kg

## Motor type table

Type	Regulator	Motor	
		Ø100 - Ø315	Ø400 - Ø630
UNI *	VRU-D3-BAC	LM24A-VST	NM24A-VST
UNI-M	VRU-M1-BAC	LM24A-VST	NM24A-VST
UNI-MR **	VRU-M1R-BAC	LM24A-VST	NM24A-VST
SPR *	VRU-D3-BAC	LF24A-VST	NF24A-VST
SPR-M	VRU-M1-BAC	LF24A-VST	NF24A-VST
SPR-MR **	VRU-M1R-BAC	LF24A-VST	NF24A-VST
FAS-MR **	VRU-M1R-BAC	LMQ24A-VST	NMQ24A-VST

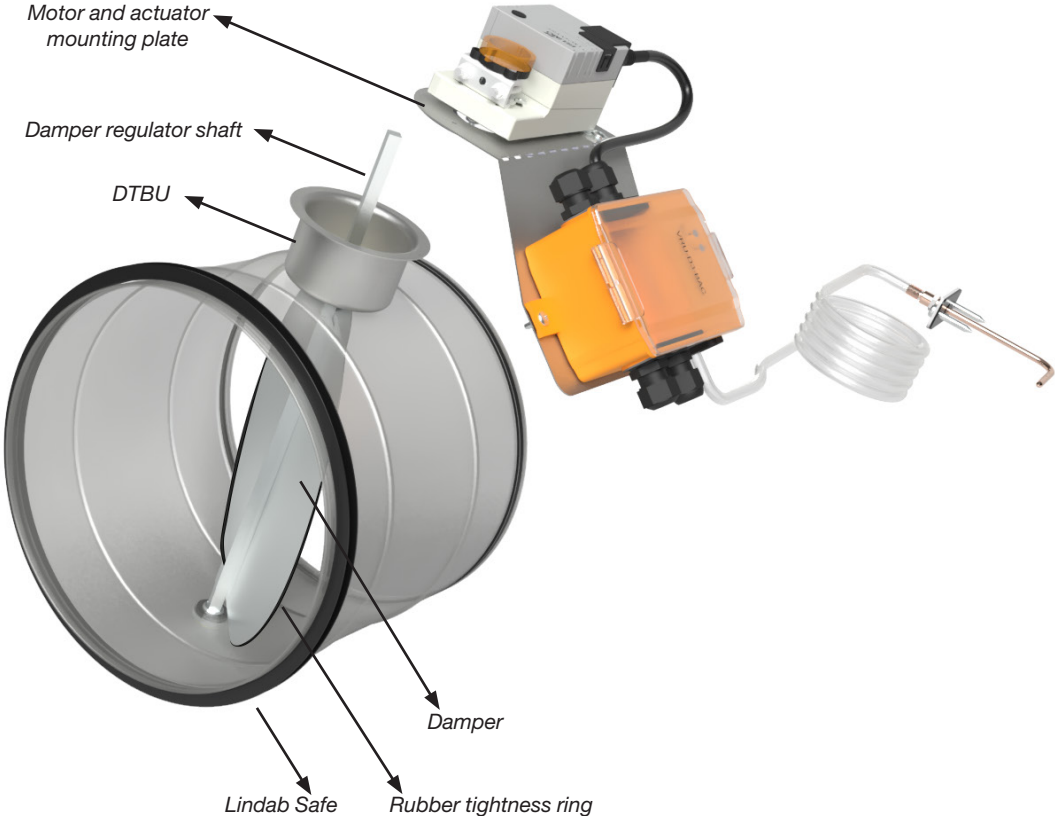
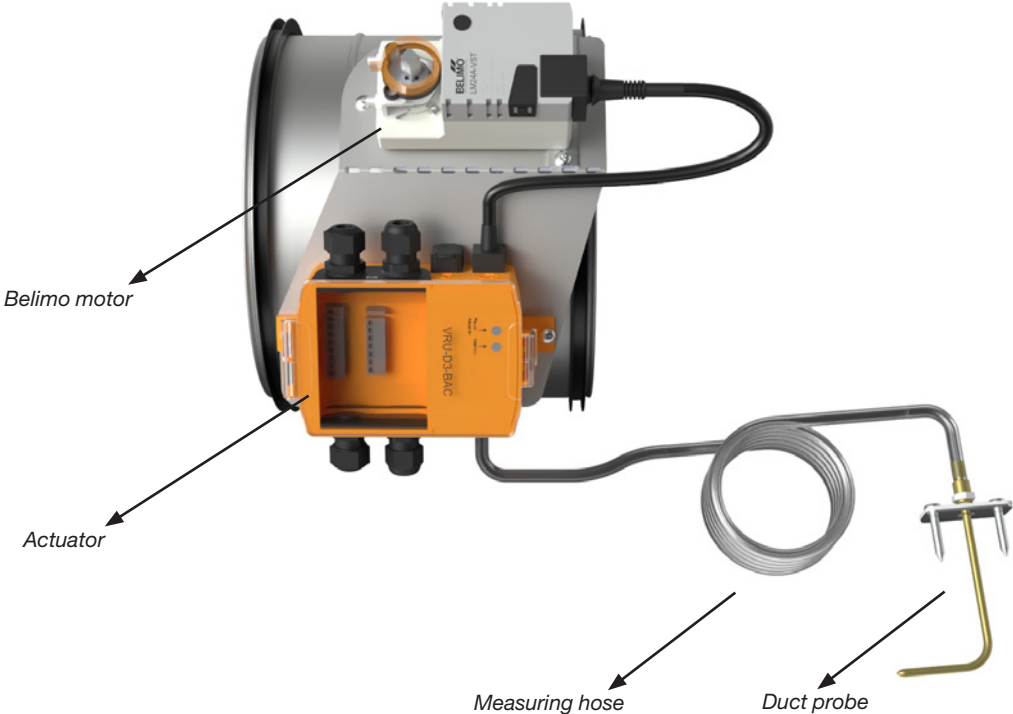
\*) Max 20 m measuring hose

\*\*) Measuring hose and probe not included.

# Installation instruction

# PRU

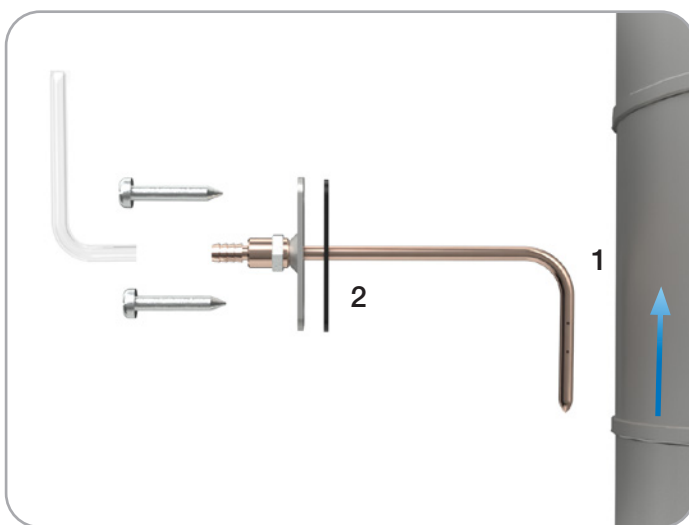
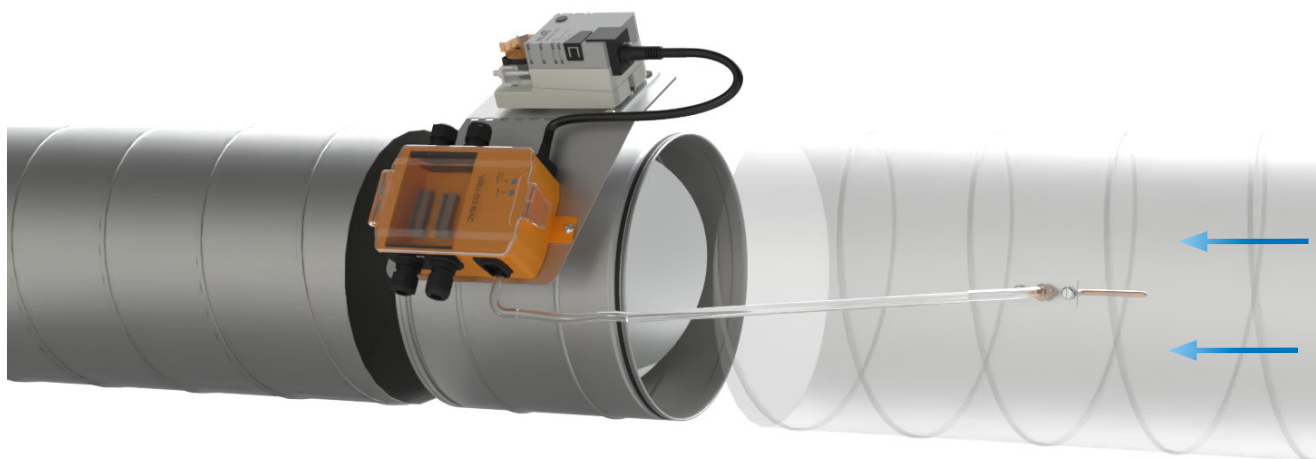
## PRU in details



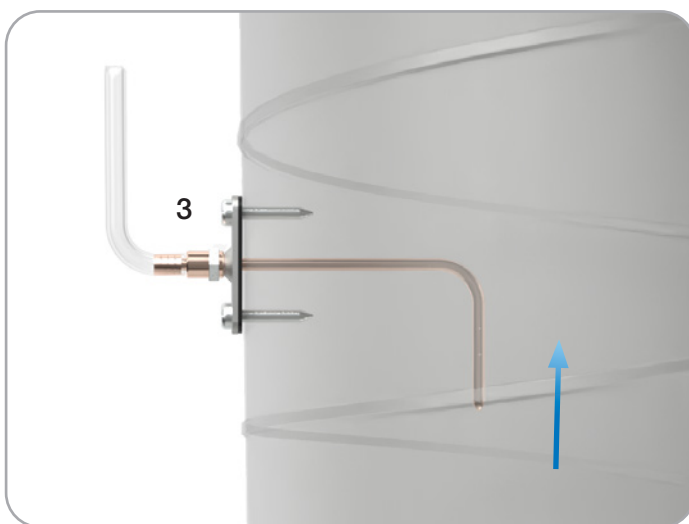
# Installation instruction

# PRU

Mounting of PRU  
Kannakointi PRU  
Montage des PRU  
Montaggio di PRU  
Montage de PRU



1. Drill assemble hole  $\text{\O}10$  mm in the duct.
2. Assembly the rubber gasket, flange and probe.
3. Mount the probe on the duct, make sure the probe points against the air direction.
4. Mount the hose.




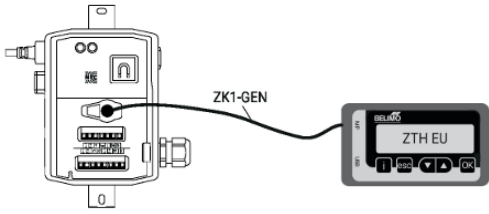
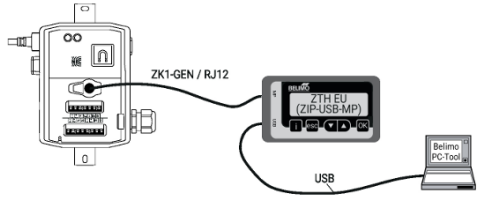
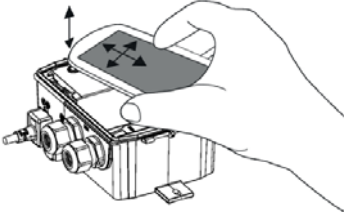
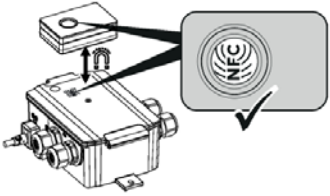
The probe shall point against the air direction in the duct.



# Installation instruction

# PRU

**Balancing**  
**Säätöohjeet**  
**Einregulierung**  
**Bilanciamento**  
**Réglage**

	<p style="text-align: center;"><b>Universal controllers</b>  <b>UNI(-M) / SPR(-M) / FAS(-M)</b></p> 
<p><b>Belimo Service Tool</b>  <b>ZTH-EU</b></p>	
<p><b>Belimo PC-Tool</b>  <b>MFT-P</b>          via ZTH-EU</p>	
<p><b>Belimo Assistant App</b>          with NFC</p>	 <p style="text-align: right;">**</p>
<p><b>Belimo Assistant App</b>          with Bluetooth          via ZIP-BT-NFC</p>	 <p style="text-align: right;">**</p>
<p><b>Note *)</b></p>	<p>Modbus/Bacnet/KNX settings can be done with ZTH-EU, PC-Tool, or Belimo Assistant App.</p>
<p><b>Note **)</b></p>	<p>Belimo Assistant App works with all Universal controllers.</p>

# Installation instruction

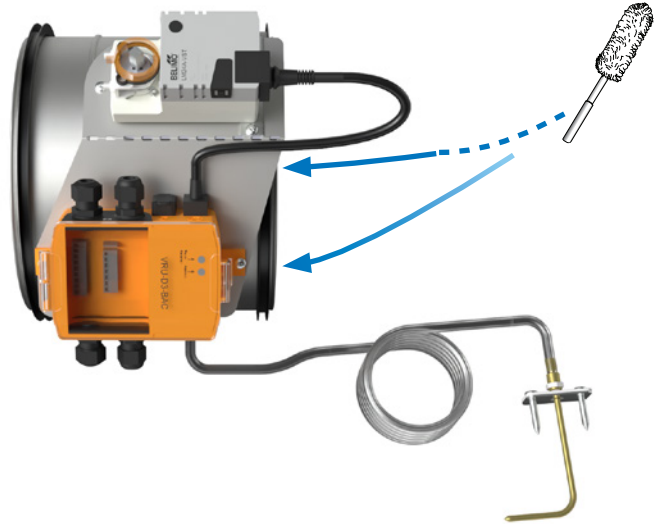
PRU

**Maintenance:**  
**Huolto**  
**Wartung**  
**Manutenzione**  
**Entretien**

**Cleaning of measuring cross**

The visible parts of the product can be wiped with a damp cloth. Remove pressure hoses and blow clean air into the measuring probe.

Do not blow into the plastic hoses mounted on the Belimo unit, as this can damage the flow/membrane sensors.

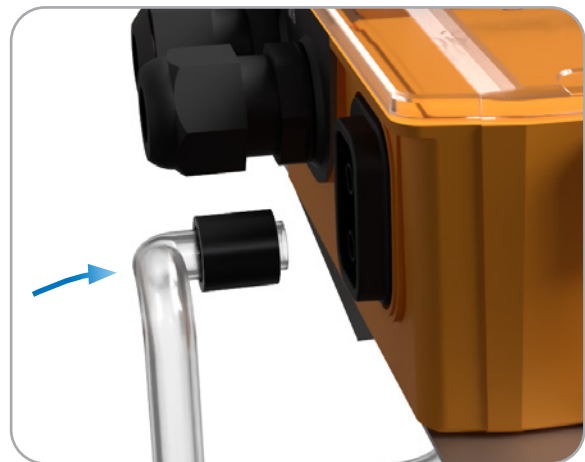
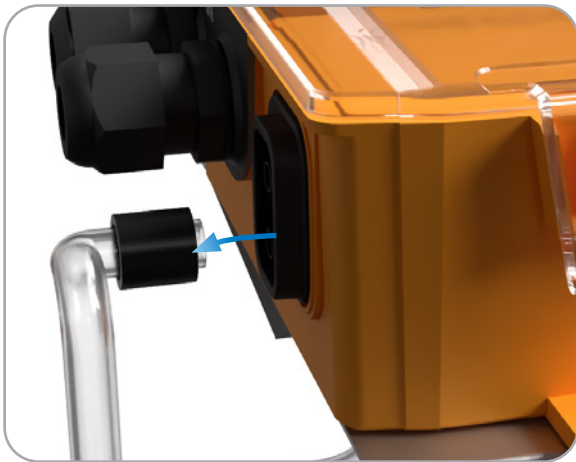


**Cleaning the measuring sensor**

Please demount the hose and use clean air to clean the hose and measuring sensor.

**Mounting hose**

Put the hose back followed by squeezing the black tightness rings back.

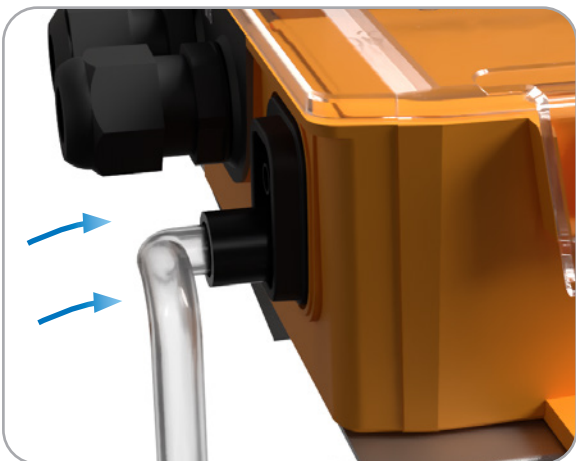


**Mounting hose step 1**

Put the hose back (bottom slot)

**Mounting hose step 2**

Squeeze the black tightness rings back.





Most of us spend the majority of our time indoors. Indoor climate is crucial to how we feel, how productive we are and if we stay healthy.

We at Lindab have therefore made it our most important objective to contribute to an indoor climate that improves people's lives. We do this by developing energy-efficient ventilation solutions and durable building products. We also aim to contribute to a better climate for our planet by working in a way that is sustainable for both people and the environment.

[Lindab](#) | For a better climate