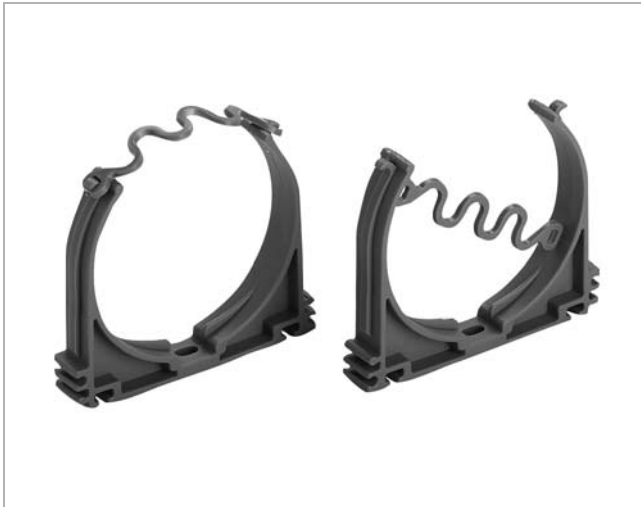


Clamps

CLAMP



Description

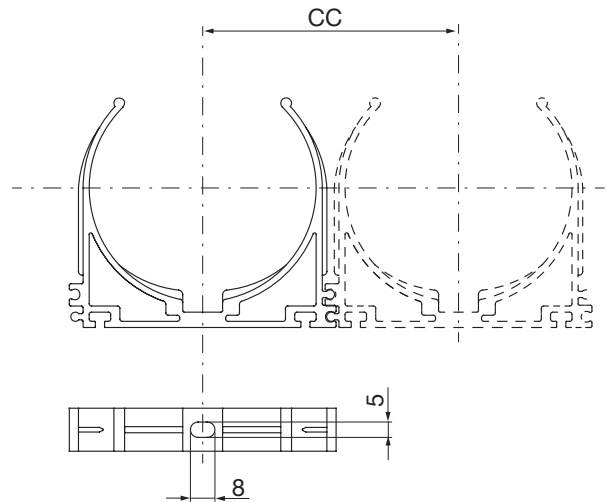
The CLAMP are used for fixation of semiflexible ducts LFPE in connection with mounting or embedment into the floor.

The clamps are available in red or blue colour, for identifying supply or exhaust air. They can be joined together for fixation of two or more ducts. Each bracket are fixed to the floor with one screw.

They are delivered in bags with 48 pieces, which corresponds to the amount needed for one coil of ducts (50 m).

Recommended distance between the clamps is 1 meter.

Dimensions



Type	CC
CLAMP 63 RED	85
CLAMP 63 BLUE	85
CLAMP 76 RED	100
CLAMP 76 BLUE	100

Type	CC
CLAMP 63 BLÅ	85
CLAMP 76 BLÅ	100

Ordering example

	CLAMP	76	RED
Product			
Dimension			
Colour			