

Duct Holder Corner

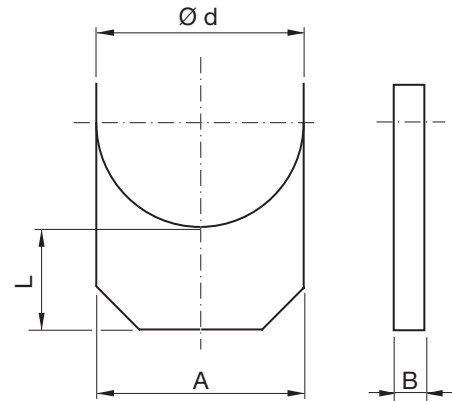
DHC



Description

DHC is a duct holder for circular ducts in corners. The holes to attach the duct is adapted to 4,2 mm screws.

Dimensions



Ød nom	A [mm]	B [mm]	L [mm]	t [mm]	m [kg]
100	103	25	110	0,9	0,30
125	128	25	110	0,9	0,40
160	163	25	110	0,9	0,50

Installation	Ventilation system					Smoke control system
	Dim	R0 no fire class. kg	R15 kg	R30 kg	R45 kg	
63-630	50	-	-	-	-	600 °C 120 min. kg

Ordering example

