

Bend – long

BSUSS 90°

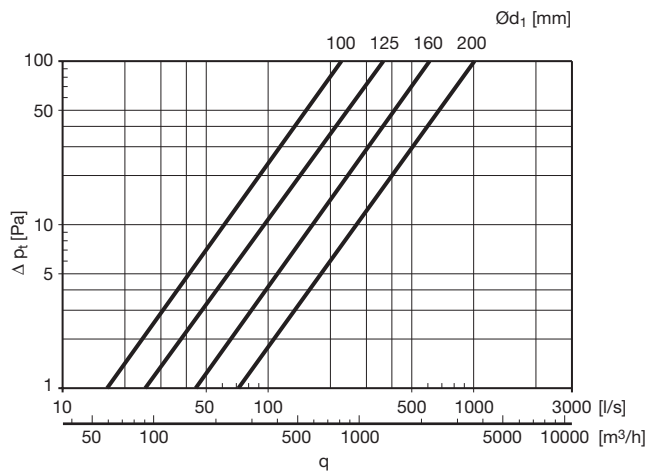


Description

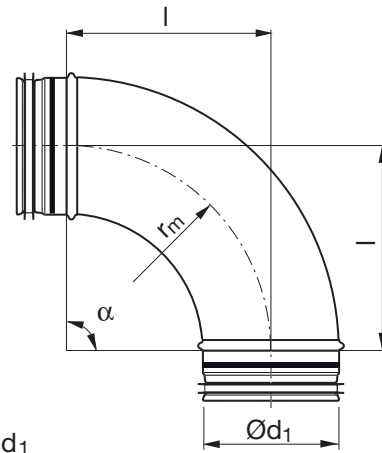
Pressed and seam welded bend.

The product is CE marked according to EN 12101-7 and used in a circular smoke control system - single compartment (see declaration of performance).

Technical data

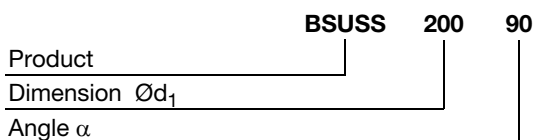


Dimensions



| $\varnothing d_1$ nom | l [mm] | m [kg] |
|--------------------------|-------------|-------------|
| 100 | 150 | 0,50 |
| 125 | 190 | 0,79 |
| 150 | 225 | 0,95 |
| 160 | 240 | 1,14 |
| 180 | 270 | 1,50 |
| 200 | 300 | 1,55 |

Ordering example



Bend – long

BSUSS 45°

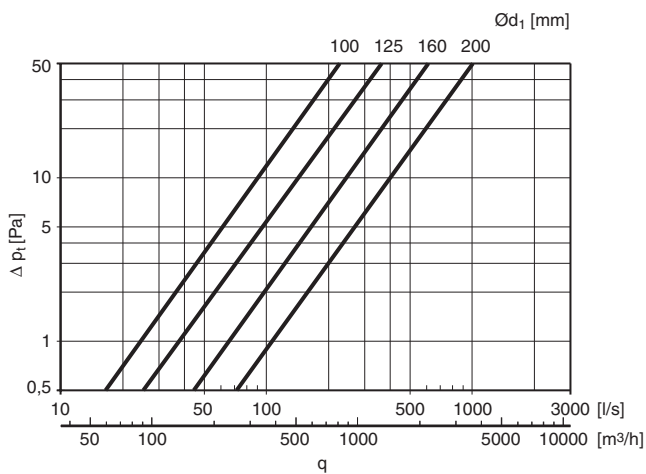


Description

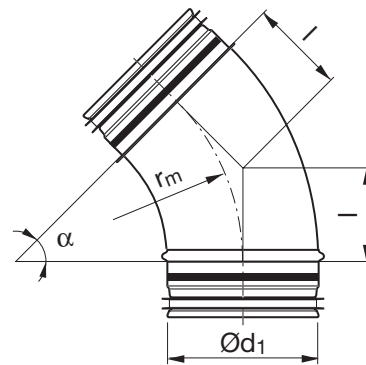
Pressed and seam welded bend.

The product is CE marked according to EN 12101-7 and used in a circular smoke control system - single compartment (see declaration of performance).

Technical data



Dimensions



$$r_m \approx 1,5 \cdot d_1$$

| Ød ₁ nom | l [mm] | m [kg] |
|------------------------|-----------|-----------|
| 100 | 62 | 0,26 |
| 125 | 79 | 0,41 |
| 150 | 93 | 0,49 |
| 160 | 100 | 0,59 |
| 180 | 112 | 0,77 |
| 200 | 124 | 0,82 |