

Exhaust valve

KSU



Description

Valve for exhaust air.
 Designed for wall or ceiling mounting.
 Bayonet holders connect to socket VRGU, VRGL, or VRGM.

Materials and finish

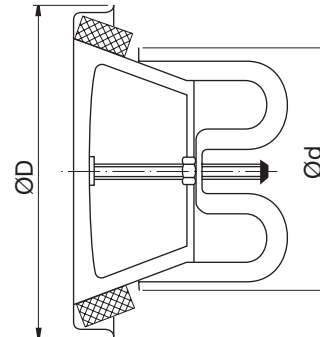
Material

Coated galvanized sheet metal.

Colour

White RAL 9003, gloss 30 or white RAL 9010 gloss30.

Dimensions



Ød nom	ØD [mm]	m [kg]
100	130	0,30
125	160	0,39
150	188	0,52
160	190	0,52
200	235	0,78

Ordering example



Exhaust valve

KSU

Technical data

Air flow, q [l/s] and [m³/h], total pressure drop, Δp_t [Pa], and A-weighted sound power level, L_{WA} [dB], for different settings, a [mm], are shown in the graphs.

Sound power level, L_{Wok} [dB], in octave bands

is calculated as $L_{WA} + K_{ok}$.
 K_{ok} is found in the table below.

Ød nom	Valve mounted in	Centre frequency [Hz]							
		63	125	250	500	1K	2K	4K	8K
100	Duct	-6	-6	-3	-3	-4	-9	-13	-27
125	Duct	-7	-7	-6	-5	-8	-4	-12	-28
160	Duct	-3	-3	-7	-5	-2	-12	-16	-29
200	Duct	-5	-5	-7	-8	-2	-9	-13	-30

Tolerance	±3	±2	±2	±2	±2	±2	±2	±3
-----------	----	----	----	----	----	----	----	----

Sound attenuation, ΔL , [dB]

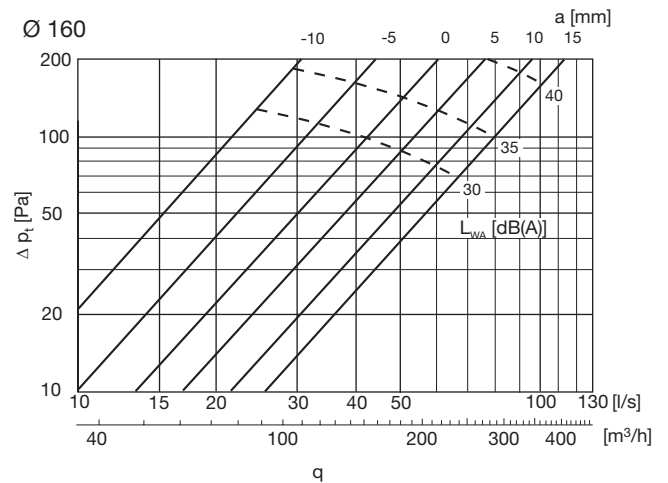
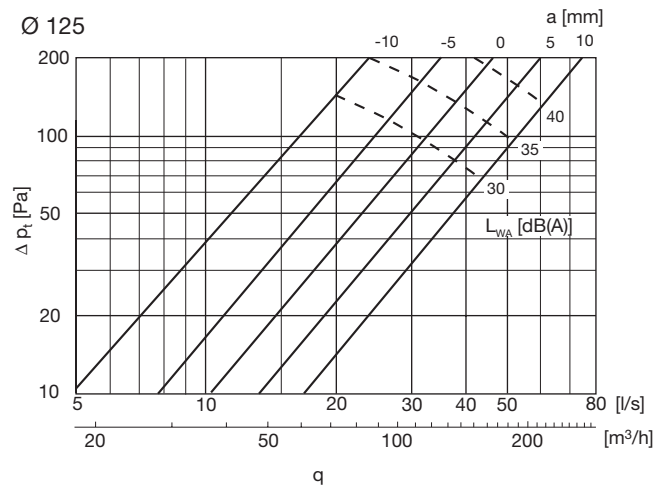
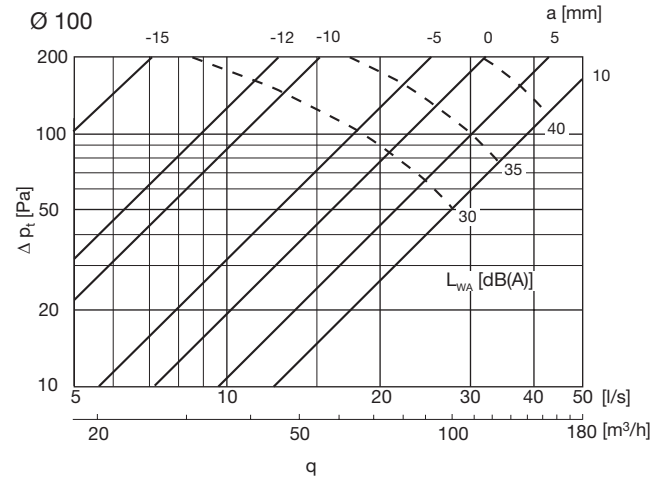
Ød nom	Valve mounted in	Centre frequency [Hz]							
		63	125	250	500	1K	2K	4K	8K
100	Duct	23	18	14	12	12	14	5	6
125	Duct	21	17	12	11	12	11	7	6
160	Duct	19	14	12	11	11	14	5	7
200	Duct	15	13	11	11	13	12	7	7

Tolerance	±6	±3	±2	±2	±2	±2	±2	±3
-----------	----	----	----	----	----	----	----	----

Measurement of air flow

Data is available in a separate brochure.

xx



Exhaust valve

KSU

