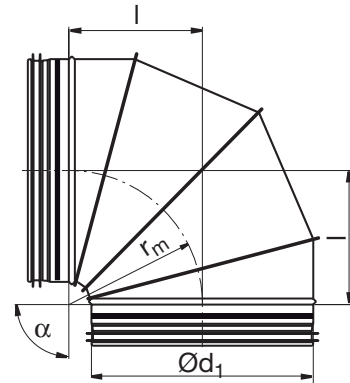


Bend – short, lockseamed BKFUSS 90°



Dimensions



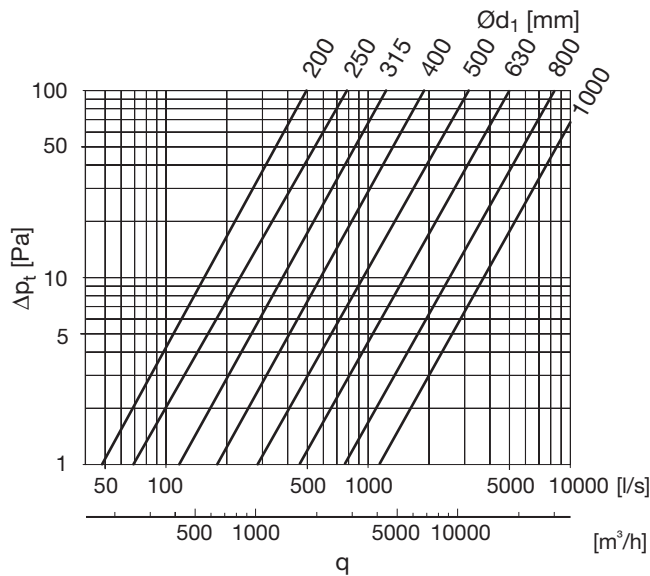
$$r_m \approx 0,6 \cdot d_1$$

Description

Pressed and seam welded bend with short installation length.

The product is CE marked according to EN 12101-7 and used in a circular smoke control system - single compartment (see declaration of performance).

$\text{O}d_1$ nom	l mm	m kg
200	158	1,18
250	180	1,64
315	220	2,49
400	255	3,61
500	315	6,30
630	397	9,45
800	470	18,0
1000	570	26,9



Ordering example

