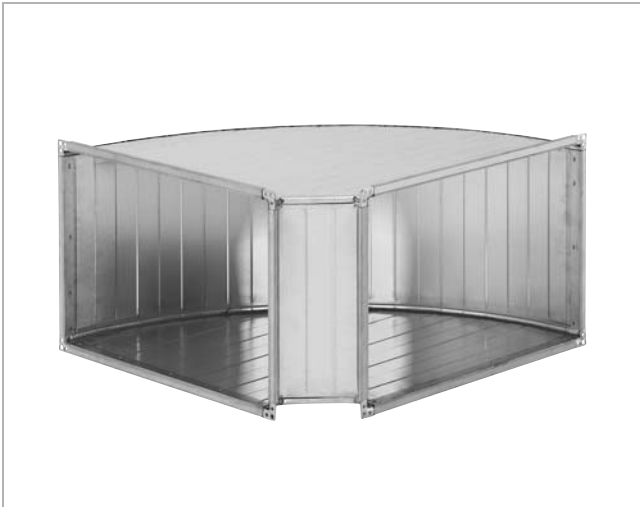


# Bend

# LBXR



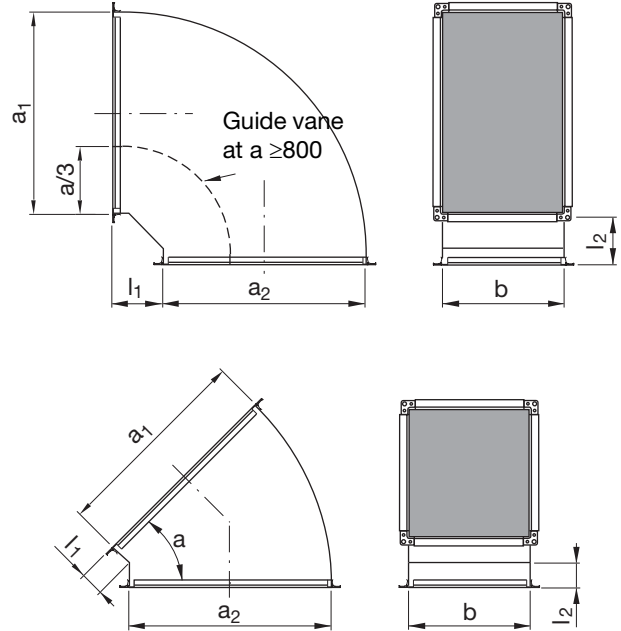
## Description

Bend with rounded outer corner, stiffened with trapezoid corrugations.

The bend is delivered with 90° or 45° angles and joining profiles type RJFP at both ends. Other leg lengths and angles can also be ordered.

Standard design  $l_1 = l_2 = 125$  mm.

## Dimensions



## Ordering example

	LBXR	500	300	500	90	125	125
Product							
Form side	$a_1$						
Curved side	$b$						
Form side	$a_2$						
Angle	$\alpha$						
Leg length	$l_1$						
Leg length	$l_2$						