

Lindab **VRU**

Installation instruction - UK
Asennusohje - FI
Montageanleitung - DE
Istruzioni di montaggio - IT
Instructions de montage - FR



Installation instruction

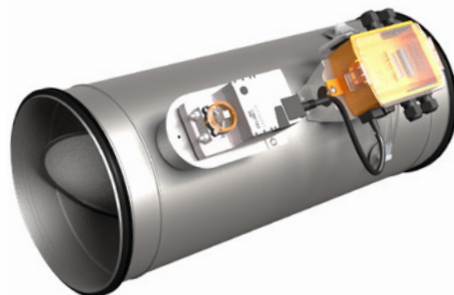
VRU

Product
Tuote
Produkt
Prodotto
Produit

Compact model

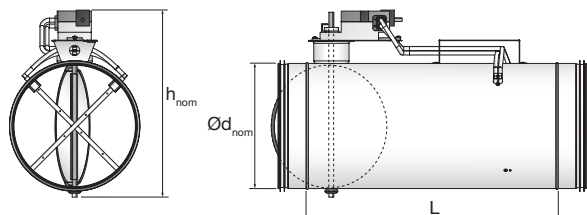


Universal model



Dimensions
Mitat
Maße
Dimensioni
Dimensions

VRU (MF, MP, MOD, KNX)



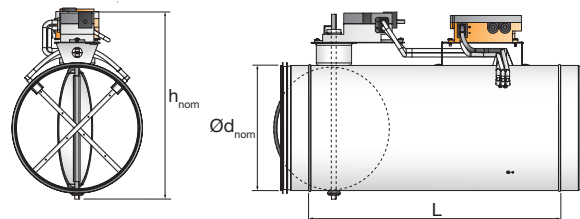
Dimension table

Ød _{nom} mm	L mm	h _{nom}	Weight Kg
		MF / MP / MOD / KNX mm	
100	400	225	1.7
125	400	250	1.9
160	400	285	2.2
200	400	325	2.6
250	500	375	3.5
315	500	440	4.1
400	510	526	5.5
500	610	626	8.1
630	660	756	10.7

Motor type label

Type	Motor	
	Ød 100 - 315	Ød 400 - 630
MF	LMV-D3-MF-F	NMV-D3-MF-F
MP	LMV-D3-MP-F	NMV-D3-MP-F
MOD	LMV-D3-MOD-F	NMV-D3-MOD-F
KNX	LMV-D3-KNX-F	NMV-D3-KNX-F

UNIVERSAL MODEL



Dimension table

Ød _{nom} mm	L mm	h _{nom}	Weight Kg
		UNI mm	
100	400	225	2.0
125	400	250	2.2
160	400	285	2.5
200	400	325	2.9
250	500	375	3.8
315	500	440	4.4
400	510	526	5.9
500	610	626	8.5
630	660	756	11.1

h_{nom} and Weight is shown in the table for VRU-UNI.

SPR: h_{nom} + 20 mm and weight + 1.5 kg

FAS: h_{nom} + 15 mm and weight + 0.4 kg

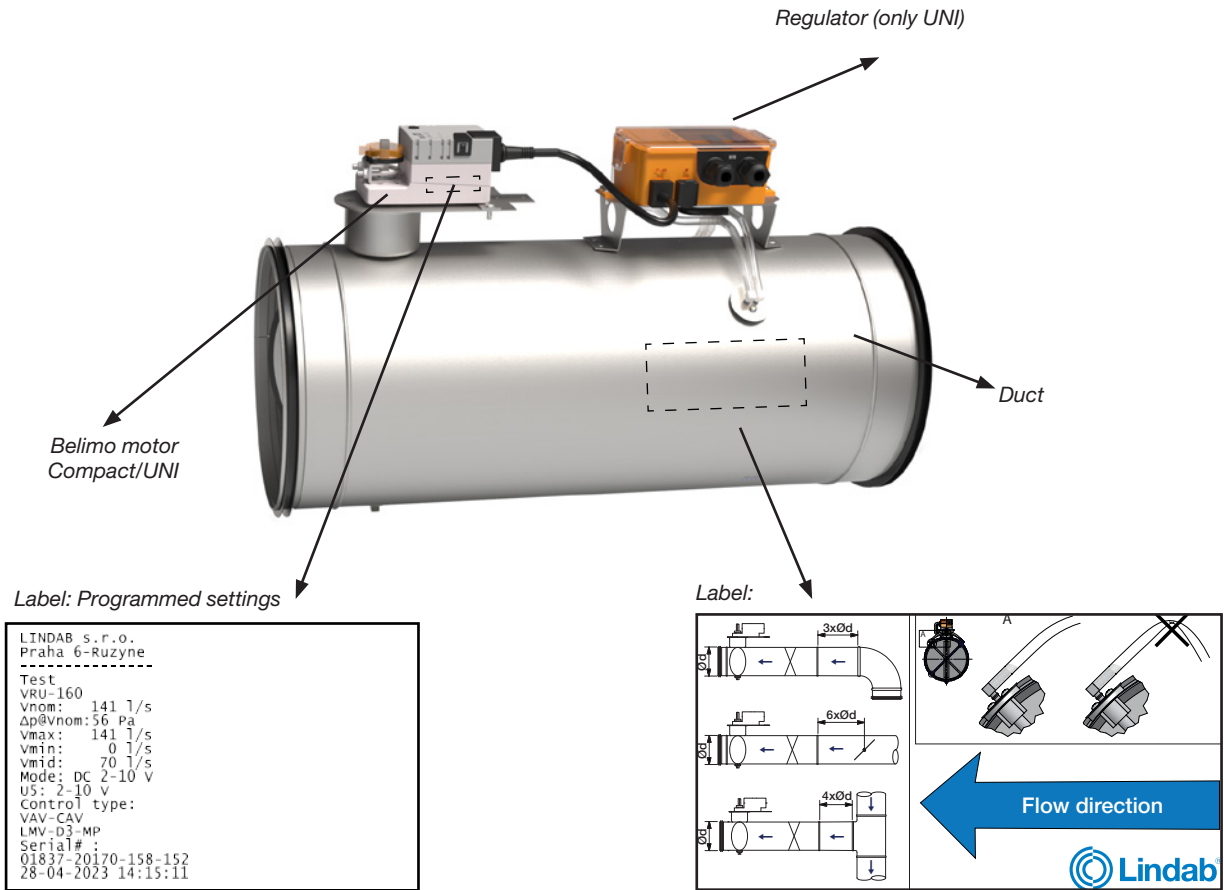
Motor type label

Type	Regulator	Motor	
		Ød 100-315	Ød 400-630
UNI	VRU-D3-BAC	LM24A-VST	NM24A-VST
UNI-M	VRU-M1-BAC	LM24A-VST	NM24A-VST
SPR	VRU-D3-BAC	LF24A-VST	NF24A-VST
SPR-M	VRU-M1-BAC	LF24A-VST	NF24A-VST
FAS	VRU-D3-BAC	LMQ24A-VST	NMQ-24A-VST
FAS-M	VRU-M1-BAC	LMQ24A-VST	NMQ-24A-VST

Installation instruction

VRU

- VRU in details
- VRU yksityiskohtaisesti
- VRU im Detail
- VRU nei dettagli
- VRU en détails



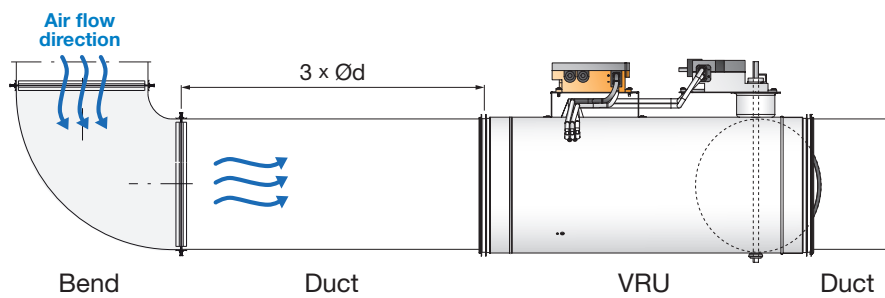
Installation instruction

VRU

Mounting of VRU
Kannakointi VRU
Montage des VRU
Montaggio di VRU
Montage de VRU

VRU is equipped with Lindab Safe for connection to the duct and is prepared for insulation up to 50 mm. VRU can be installed in any position without adjustment required. To avoid clogging of the measuring cross, it is recommended to use VRU only in applications with clean air, meaning free of dust, particles and similar.

Example:





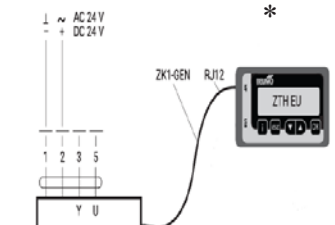
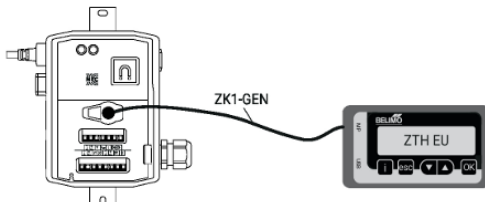
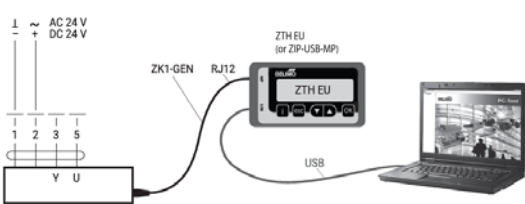
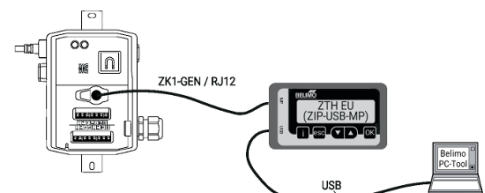
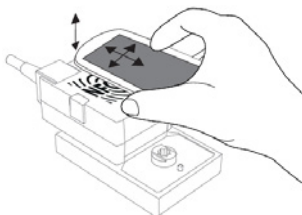
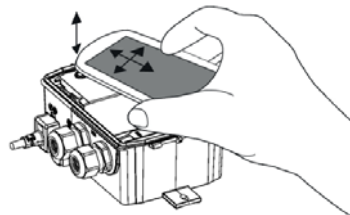
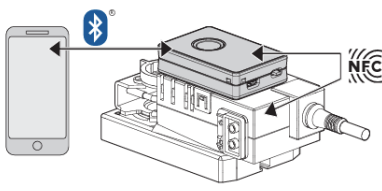
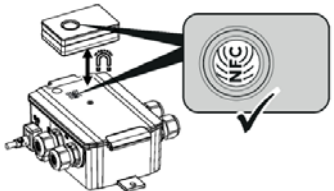
Example above showing top view of recommended straight duct distance between duct bend and a VRU.

Components	Recommended straight duct before unit
Bend	3 x Ød
Tee-piece	4 x Ød
Damper	6 x Ød

Installation instruction

VRU

Balancing
Säätöohjeet
Einregulierung
Bilanciamento
Réglage

	<p>Compact VAV controllers MF / MP / MOD / KNX</p> 	<p>Universal controllers UNI(-M) / SPR(-M) / FAS(-M)</p> 
<p>Belimo Service Tool ZTH-EU</p>	<p style="text-align: center;">*</p> 	
<p>Belimo PC-Tool MFT-P via ZTH-EU</p>	<p style="text-align: center;">*</p> 	
<p>Belimo Assistant App with NFC</p>	<p style="text-align: center;">**</p> 	
<p>Belimo Assistant App with Bluetooth via ZIP-BT-NFC</p>	<p style="text-align: center;">**</p> 	
<p>Note *)</p>	<p>Modbus/Bacnet/KNX settings must be done with ZTH-EU.</p>	<p>Modbus/Bacnet/KNX settings can be done with ZTH-EU, PC-Tool, or Belimo Assistant App.</p>
<p>Note **)</p>	<p>Belimo Assistant App only works with the Compact MP controllers, not MF / MOD / KNX.</p>	<p>Belimo Assistant App works with all Universal controllers.</p>

Installation instruction

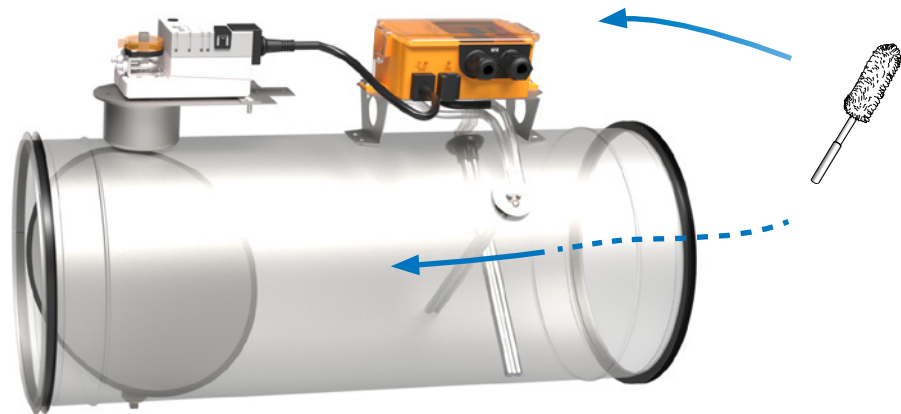
VRU

Maintenance:
Huolto
Wartung
Manutenzione
Entretien

Cleaning of measuring cross

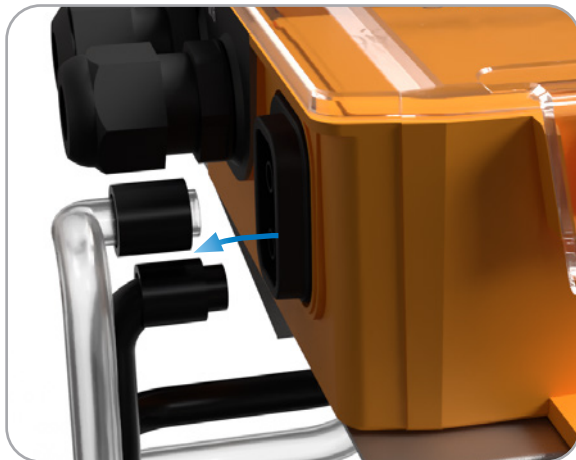
The visible parts of the product can be wiped with a damp cloth. Remove pressure hoses and blow clean air into the aluminum pipes.

Do not blow into the plastic hoses mounted on the Belimo unit, as this can damage the flow/membrane sensors.



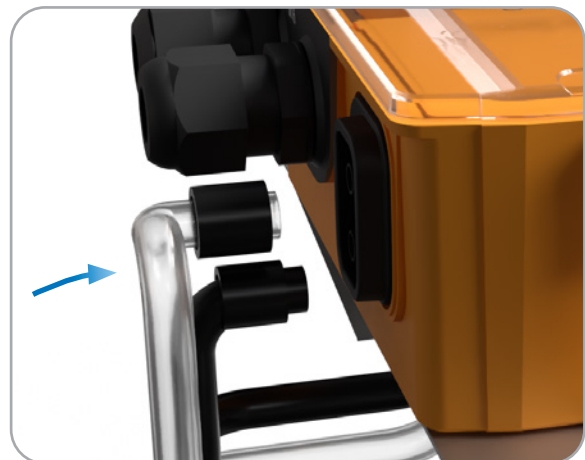
Cleaning the measuring cross

Please demount the hoses and use clean air to clean the hoses and measuring cross.



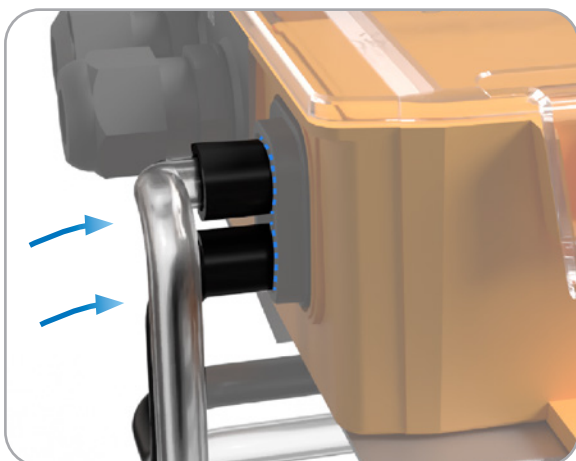
Mounting hoses

Put the hoses back followed by squeezing the black tightness rings back.



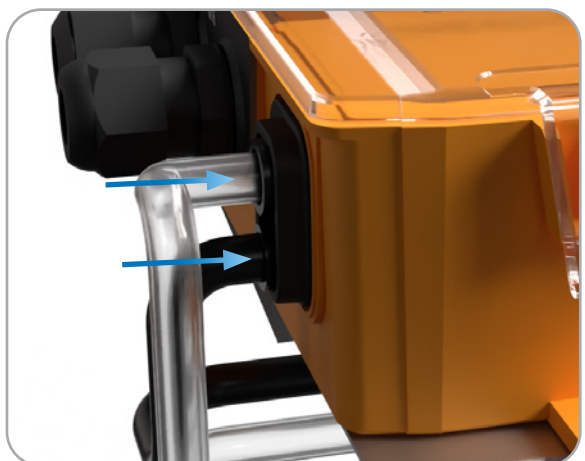
Mounting hoses step 1

Put the hoses back



Mounting hoses step 2

Squeeze the black tightness rings back.





Most of us spend the majority of our time indoors. Indoor climate is crucial to how we feel, how productive we are and if we stay healthy.

We at Lindab have therefore made it our most important objective to contribute to an indoor climate that improves people's lives. We do this by developing energy-efficient ventilation solutions and durable building products. We also aim to contribute to a better climate for our planet by working in a way that is sustainable for both people and the environment.

Lindab | For a better climate