

Suspension rings

UV30

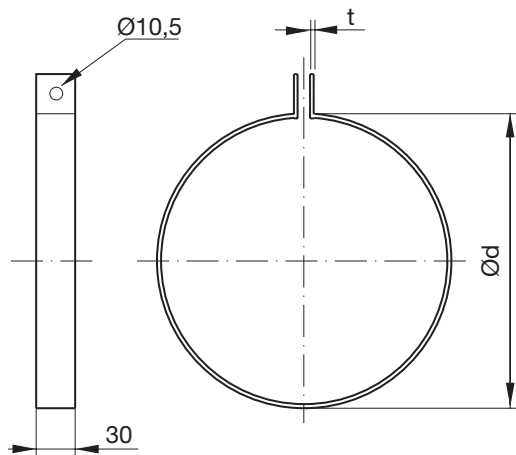


Description

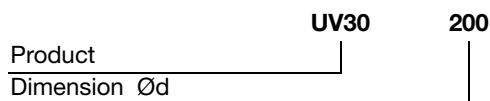
For suspension of circular ducting. For insulated duct it is recommended that the suspension ring is mounted inside the insulation.

The European test standard, EN 1366-1, for fire resistance tests on horizontal ventilation systems, will not allow that the tensile stress of the vertical suspension components exceed the values in the table below:

Dimensions



Ordering example



Dimensions

Ød nom	t [mm]	m [kg]
63	1,25	0,09
80 ^{1 2}	1,25	0,11
100 ^{1 2}	1,25	0,13
112	1,25	0,15
125 ^{1 2}	1,25	0,16
140	1,50	0,18
150	1,50	0,19
160 ^{1 2}	1,50	0,20
180	1,50	0,22
200 ^{1 2}	1,50	0,24
224	1,50	0,27
250 ^{1 2}	1,50	0,30
280	1,50	0,34
300	1,50	0,35
315 ^{1 2}	1,50	0,36
355	2,00	0,42
400 ^{1 2}	2,00	0,47
450	2,00	0,53
500 ^{1 2}	2,00	0,65
560	2,00	0,68
600	2,00	0,70
630 ^{1 2}	2,00	0,73
710	3,00	0,82
800 ^{1 2}	3,00	0,92
900	3,00	1,04
1000 ²	3,00	1,15
1120	3,00	1,29
1250 ²	3,00	1,43

¹ Can also be delivered in stainless steel 4404
² Can also be delivered in zincmagnesium

Suspension rings

UV30

Technical data

The European test standard, EN 1366-1, for fire resistance tests on horizontal ventilation systems, will not allow that the tensile stress of the vertical suspension components exceed the values in the table below:

Type of load	Maximum stresses [N/mm ²]		
	t - 60 min	60 < t - 120 min	120 min < t - 240 min
Tensile stress in all vertically oriented components	9	6	3

According to the rules in the test standards, EN 1366-1, the supporting components can maximum be loaded with the following tensile stress:

Note! The components in the table needs to be tested and certified to be used in a fire rated ventilation duct system. This table only estimates the maximum load for the components.

Type	No fire rating	Fire rated systems		
	t = 0 min [kg]	t 60 min [kg]	60 min < t 120 min [kg]	120 min < t 240 min [kg]
63 - 125	100	44,7	37,9	19,0
160 - 315	100	53,7	35,8	17,9
400 - 630	100	71,6	47,7	23,9
800 - 1600		107,3	71,6	35,8