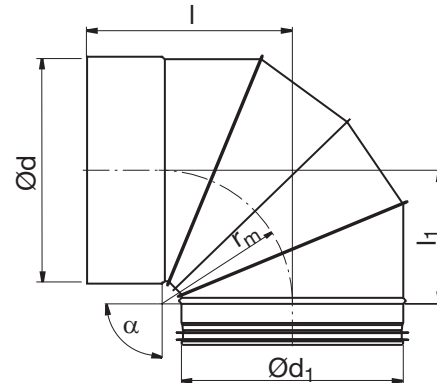


Bend, short, segmented, female end

BKFMU 90°



Dimensions



$$r_m \approx 0,6 \cdot d_1$$

Description

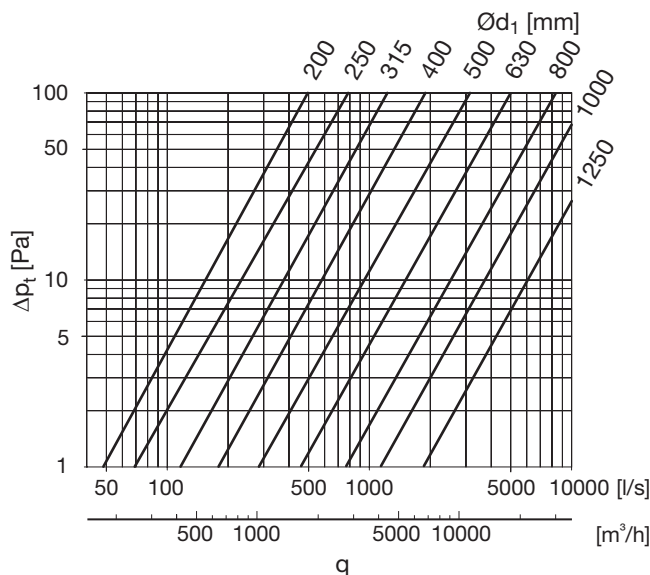
Segmented and lockseamed bend with short installation length and female end.

Has Click function at the Safe end – has an open turned-over end.

Has normally not any Click function at the female end – hasn't any notches.

Ø 200–315 can upon order be delivered with click function at the female end as well – i.e. with notches.

Technical data



Ød ₁ nom	Ød nom	l mm	l ₁ mm	m kg
200	200	199	158	1,17
250	250	240	180	1,59
315	315	280	220	2,26
400	400	335	255	3,46
500	500	395	315	6,33
630	630	475	397	9,51
710	710	525	425	16,0
800	800	570	470	20,0
1000	1000	690	570	32,0
1120	1120	750	630	41,0
1250	1250	815	695	52,0

Ordering example

Product **BKFMU**

Dimension Ød₁ **250**

Angle α **90**

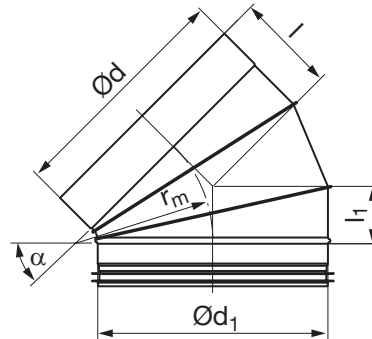


Bend, short, segmented, female end

BKFMU 45°



Dimensions



$$r_m \approx 0,6 \cdot d_1$$

Description

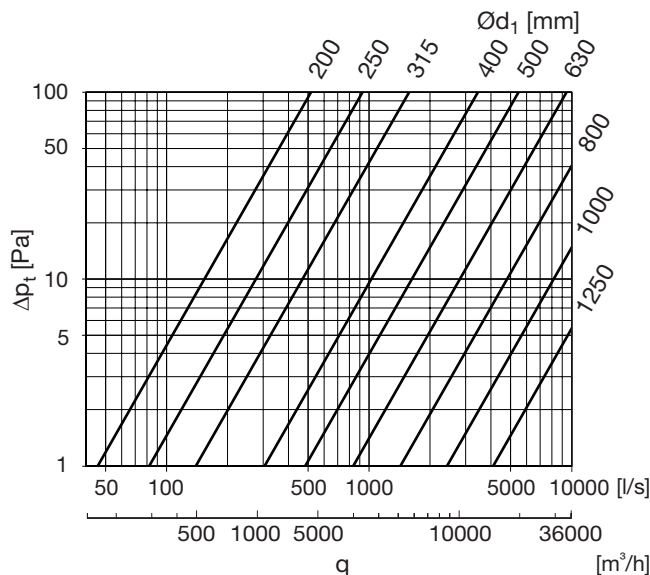
Segmented and lockseamed bend with short installation length and female end.

Has Click function at the Safe end – has an open turned-over end.

Has normally not any Click function at the female end – hasn't any notches.

Ø 200–315 can upon order be delivered with click function at the female end as well – i.e. with notches.

Technical data



Ød ₁ nom	Ød nom	l mm	l ₁ mm	m kg
200	200	100	60	0,70
250	250	127	67	1,10
315	315	143	83	1,60
400	400	178	98	2,40
500	500	230	151	3,80
630	630	254	171	6,10
800	800	316	209	11,80
1000	1000	385	266	17,70
1250	1250	427	312	25,00

