

# Bend – short

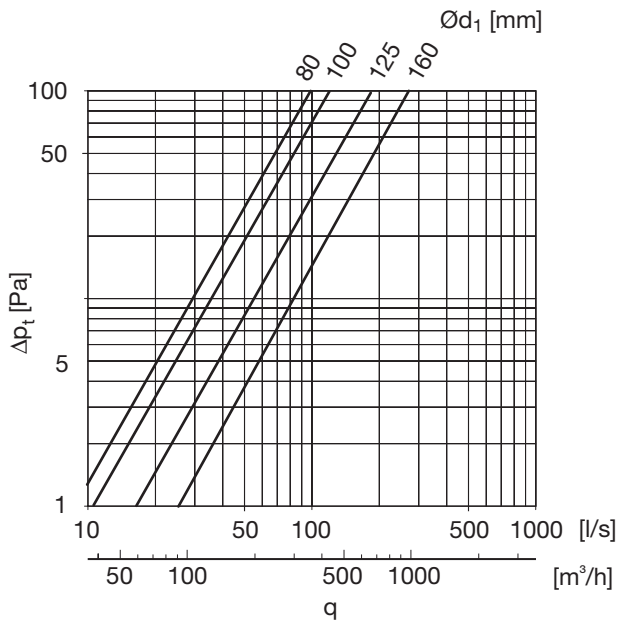
# BKUSS 90°



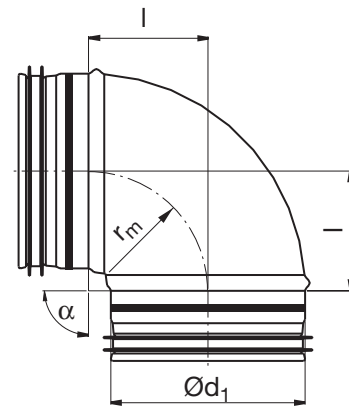
## Description

Pressed and seam welded bend with short installation length.

The product is CE marked according to EN 12101-7 and used in a circular smoke control system - single compartment (see declaration of performance).



## Dimensions



$$r_m \approx 0,6 \cdot d_1$$

$\varnothing d_1$ nom	l mm	m kg
100	62	0,22
125	79	0,31
160	94	0,50

## Ordering example

