

Access door

PTL

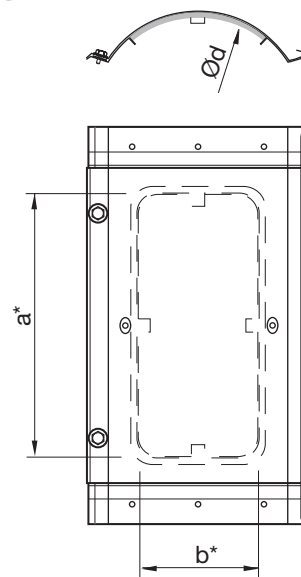


Description

Access door for circular duct.
 Ø 100–400 delivered with sticker for easy installation.
 Locked with hexagon bolts.

Can achieve maximum tightness class C.

Dimensions



Ød nom	a* [mm]	b* [mm]	m [kg]
100	200	100	0,60
125	200	100	0,60
160	200	100	0,60
200	200	200	0,70
250	200	200	0,70
315	200	200	0,70
400	200	200	0,70
500	250	250	1,00
630	250	250	1,00
800	500	400	2,40
1000	500	400	2,40

* Note! Opening dimensions.

Ordering example

