

# Supported cantilever

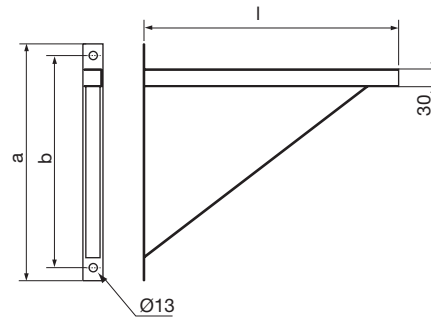
CLS



## Description

Material: Hot dipped galvanized.  
 To be fixed of walls, floors and ceilings as an assembly profile. The diagonal support bar makes it suitable for heavy loads.

## Dimensions



Length [mm]	a [mm]	b [mm]	m [kg]
400	200	160	1,13
500	200	160	1,32
600	200	160	1,50
800	345	305	2,20
1000	345	305	2,55
1300	345	305	3,10

## Ordering example

