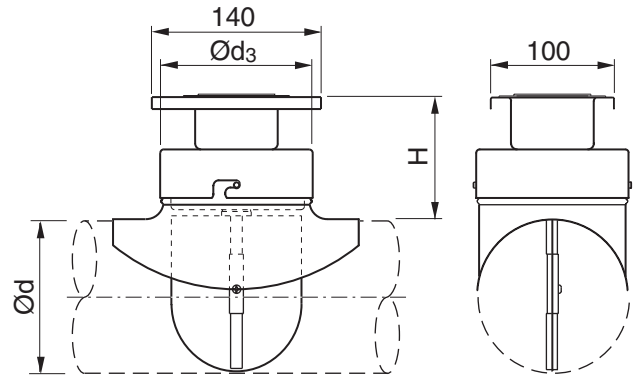


Cleaning regulating damper

PSDRU



Dimensions



Description

Cleaning regulating damper

Consists of a KCU cleaning cover with a blade without rubber gasket similar to the DRU and a PSU collar saddle in whose branch the cleaning cover is fixed.

The branch is provided with a Safe seal.

Since it is easy to remove the cleaning cover together with the blade, it is easy to inspect and clean the ventilation system. The original pressure balance in the system is not affected since the blade and cleaning cover retain their mutual positions which they were given during balancing. The damper can be used to advantage, to complete an existing ventilation system.

There is a separate assembly, measuring, balancing and maintenance instruction for this product.

Ø 100–400 fullfills pressure class A in closed position.

| Ød nom | Ød ₃ nom | H [mm] | m [kg] | Sealing class past closed blade |
|--------|---------------------|--------|--------|---------------------------------|
| 100 | 100 | 100 | 0,70 | 0 |
| 125 | 125 | 105 | 0,95 | 0 |
| 160 | 160 | 110 | 1,30 | 0 |
| 200 | 200 | 110 | 1,75 | 0 |
| 250 | 250 | 120 | 2,60 | 0 |
| 315 | 315 | 120 | 3,80 | 0 |
| 400 | 400 | 175 | 5,70 | 0 |

Ordering example

