

Suspension rings

UVH30



Description

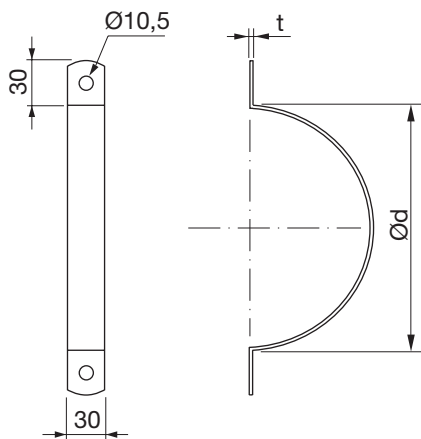
For suspension of circular ducting. For insulated duct it is recommended that the suspension ring is mounted inside the insulation.

UVH30 is sold in pairs.

The weight in the table are per pair.

The European test standard EN 1366-1, for fire resistance tests on horizontal ventilation systems, will not allow that the tensile stress of the vertical suspension components exceed the values in the table below:

Dimensions



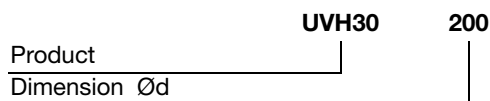
Dimensions

Ød nom	t [mm]	m [kg]
63	1,25	0,09
80	1,25	0,10
100 ²	1,25	0,12
112	1,25	0,14
125 ²	1,25	0,16
140	1,50	0,18
150	1,50	0,20
160 ²	1,50	0,22
180	1,50	0,24
200 ^{1 2}	1,50	0,26
224	1,50	0,28
250 ^{1 2}	1,50	0,30
280	1,50	0,33
300	1,50	0,36
315 ^{1 2}	1,50	0,38
355	2,00	0,57
400 ^{1 2}	2,00	0,64
450	2,00	0,72
500 ^{1 2}	2,00	0,80
560	2,00	0,88
600	2,00	0,94
630 ^{1 2}	2,00	0,98
710	3,00	1,63
800 ^{1 2}	3,00	1,84
900	3,00	2,07
1000 ^{1 2}	3,00	2,30
1120	3,00	2,56
1250 ^{1 2}	3,00	2,84
1400	3,00	3,20
1500	3,00	3,42
1600	3,00	3,65

¹ Can also be delivered in stainless steel 4404

² Can also be delivered in zincmagnesium

Ordering example



Suspension rings

UVH30

Technical data

The European test standard EN 1366-1, for fire resistance tests on horizontal ventilation systems, will not allow that the tensile stress of the vertical suspension components exceed the values in the table below:

Type of load	Maximum stresses [N/mm ²]		
	t - 60 min	60 < t - 120 min	120 min < t - 240 min
Tensile stress in all vertically oriented components	9	6	3

According to the rules in the test standards, EN 1366-1, the supporting components can maximum be loaded with the following tensile stress:

Note! The components in the table needs to be tested and certified to be used in a fire rated ventilation duct system. This table only estimates the maximum load for the components.

Type	No fire rating	Fire rated systems		
	t = 0 min [kg]	t 60 min [kg]	60 min < t 120 min [kg]	120 min < t 240 min [kg]
63-125	200	44,7	29,8	14,9
160-315	200	53,7	35,8	17,9
400-630	200	71,6	47,7	23,9
800-1600	200	107,3	71,6	35,8