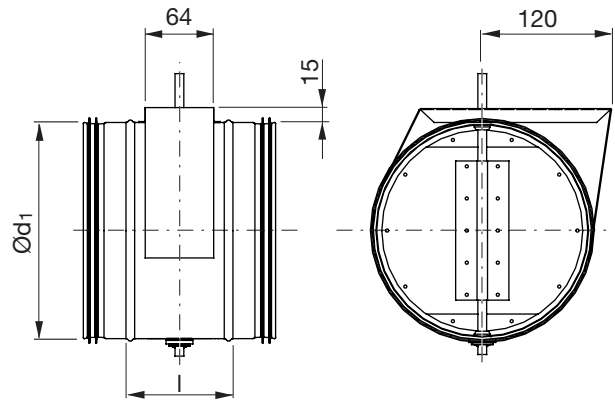


Shut-off damper with motor shelf

DTH2U



Dimensions



Description

Shut-off damper with motor shelf HYLLA DTH2U. Consists of a DTU damper with motor shelf HYLLA DTHU2U added.

The damper has neither any cup nor any knob, and has a longer spindle to avoid the need for extension spindle VREDF. The damper is designed to have a motor added on site.

Has a low height to fit at narrow spaces.

There is a separate assembly, measuring, balancing and maintenance instruction for this product.

Fulfills pressure class C in closed position.

Motorizing

The motor shelf is suitable for Belimo's CM...F and LM...F motors.

The torque needed for motorizing is given in the adjacent table.

Technical data

For technical data go to LindQST.

Ød ₁ nom	l [mm]	M Nm	m [kg]	Sealing class past closed blade	Shaft dimension mm
80	100	2,0	0,31	4	8 x 8
100	100	2,0	0,39	4	8 x 8
125	100	2,0	0,54	4	8 x 8
150	100	2,0	0,64	4	8 x 8
160	100	2,0	0,75	4	8 x 8
200	100	2,0	1,05	4	8 x 8
250	100	3,0	1,53	4	8 x 8
315	100	4,0	2,15	4	8 x 8

Ordering example

Product	DTH2U	125
Dimension Ød ₁		

