

Lindab **AIRY**

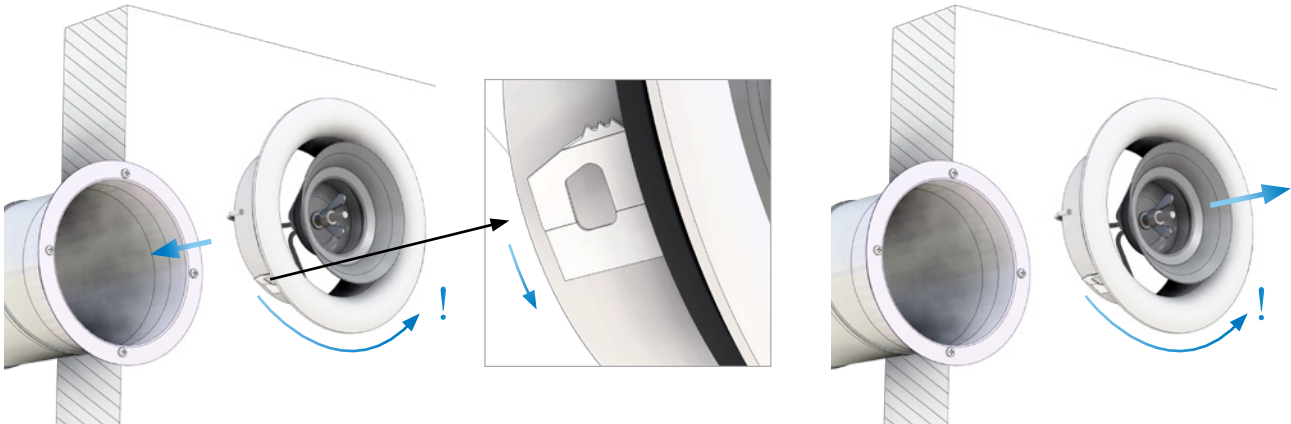
Supply and exhaust valves
Installation instruction



Installation instruction

AIRY

Mounting of valve



! to mount the valve press the valve's body into the frame and rotate it counterclockwise (CCW). To demount the body rotate it counterclockwise (CCW) while pulling.

The valve is equipped with flexible spring wings intended to fit in sheet metal fittings.

It is recommended that the valve is mounted in the frame ILVRU. The product will also fit in the valve frames VRGU, VRGM, VRFU, VRFM and BUCST and TCPUCST.

The valve body has to cover the brim of the product it is fitted into. Therefore the maximum diameter of the brim for Ø100 is 133.5 mm, for Ø125 is 152.5 mm and for Ø160 is 187.5 mm.

Mounting close to wall or ceiling

Mount the duct system firmly so the valve can be properly attached to the wall or ceiling.

When balancing the valve it is important that the front-plate can be rotated 360°.

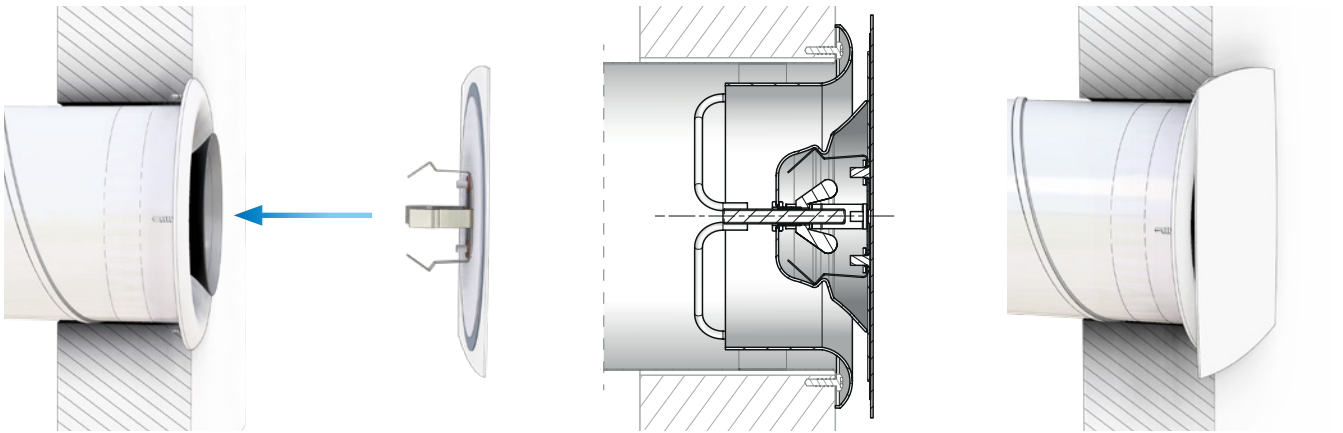
If it is impossible to rotate it the front plate has to be removed before each adjustment.

	Model	dim nom	a mm
	Round	100	70
		125	85
		160	118
	Square	100	100
		160	150
	Bow	100	100
		160	150
	Ellipse	100	130
		125	155
		160	195
	Rectangle	100	130
		125	155
		160	195

Installation instruction

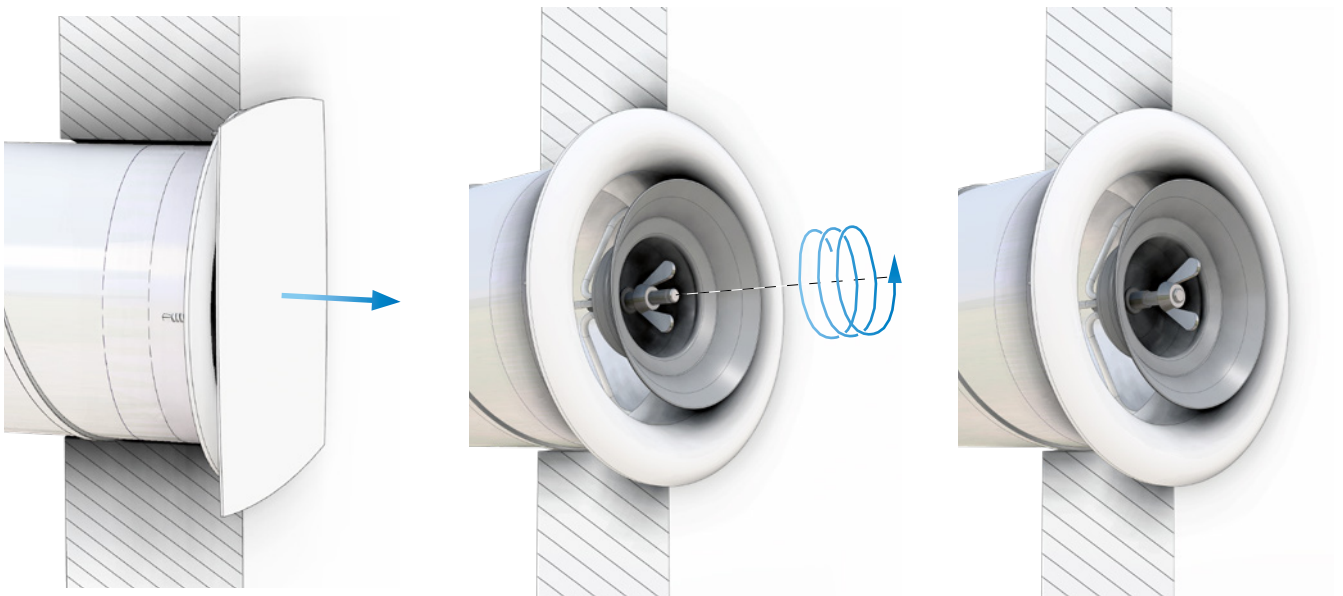
AIRY

Mounting of front plate



1. If the valve needs to be balanced do so otherwise lock the cone's position by locking the wingnut on the threaded rod against the cone.
2. Attach the front plate of your choice onto the cone by clicking the springs into the cone.

Balancing



Preparation

1. Remove the front plate.
2. Unscrew the wingnut so that the cone is unlocked and can be adjusted. Mount the front plate.

Installation instruction

AIRY

Method 1: Using a flow hood



1. Place the flow hood over the valve and notice the air flow on the display.
2. Rotate the front plate to adjust the air flow. Place the flow hood over the valve and notice the air flow on the display. Repeat if necessary.

Method 2: Using pitot static tube

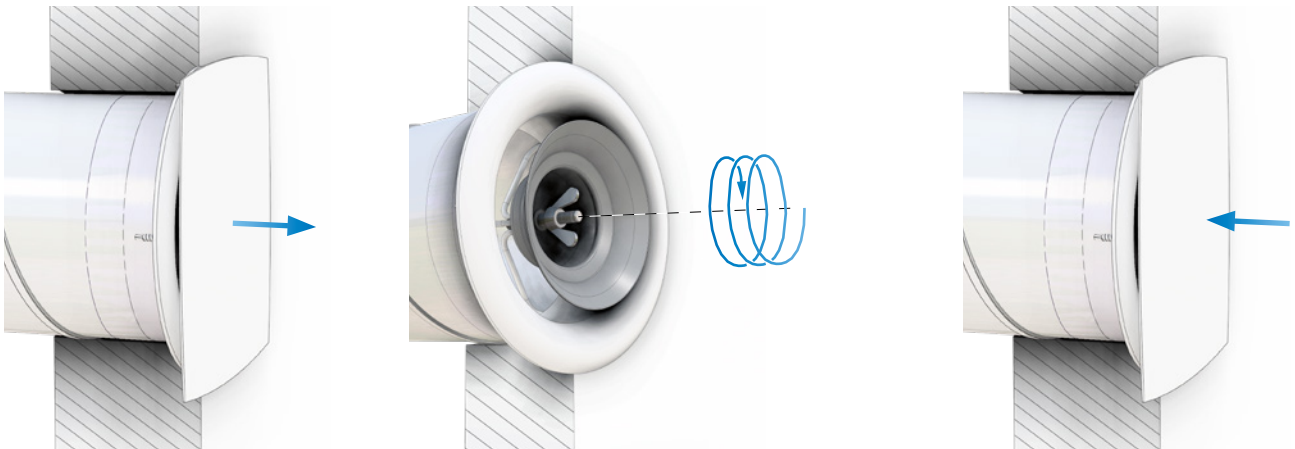


1. Drill a hole in the duct, about 3 times the diameter \varnothing of the duct, from the valve.
2. Insert the pitot static tube into duct and measure at 4 points in the duct. Rotate the front plate to adjust the air flow. Measure again with the pitot static tube. Repeat if necessary.
3. Plug the hole.

Installation instruction

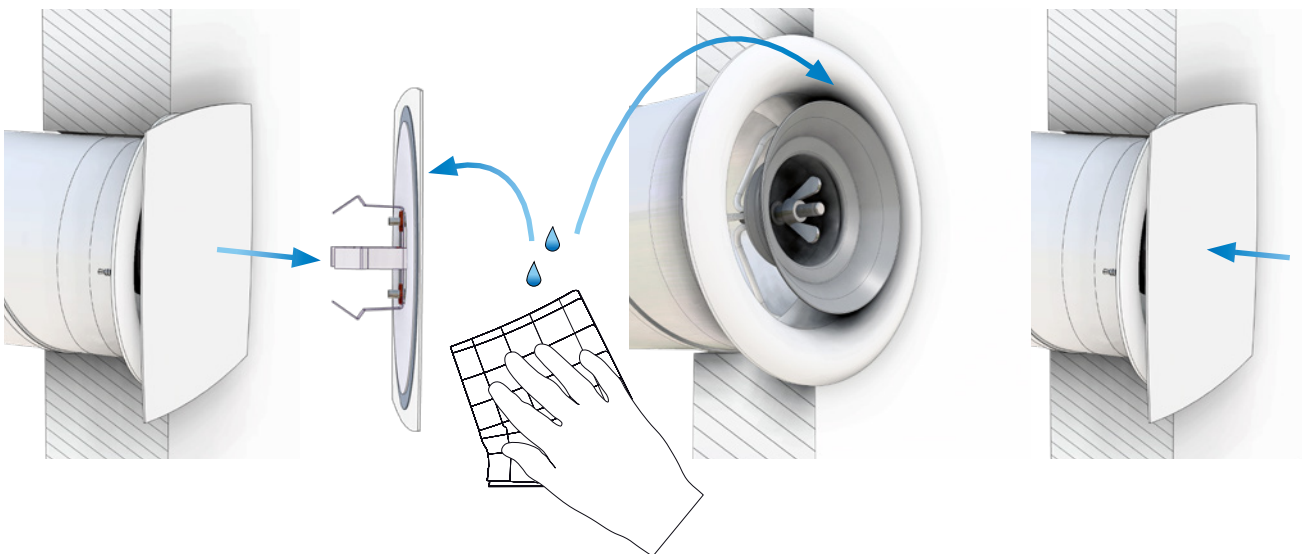
AIRY

Completion



1. Remove the front plate and tighten the wing nut.
2. Mount the front plate.

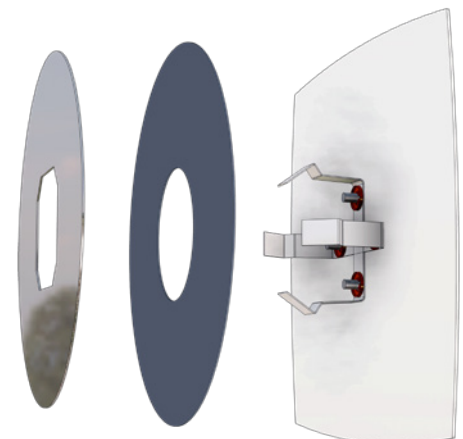
Maintenance



To clean the valve remove the front plate and clean it with a mild detergent or a wet cloth.

Make sure not to change the cone's position while cleaning the valve.

The sound filter can be changed by first removing the filter holder and then the filter. Press the new sound filter onto the front plate and then press the filter holder (check whole doc search and replace) onto the insulation filter.





Most of us spend the majority of our time indoors. Indoor climate is crucial to how we feel, how productive we are and if we stay healthy.

We at Lindab have therefore made it our most important objective to contribute to an indoor climate that improves people's lives. We do this by developing energy-efficient ventilation solutions and durable building products. We also aim to contribute to a better climate for our planet by working in a way that is sustainable for both people and the environment.

[Lindab](#) | For a better climate