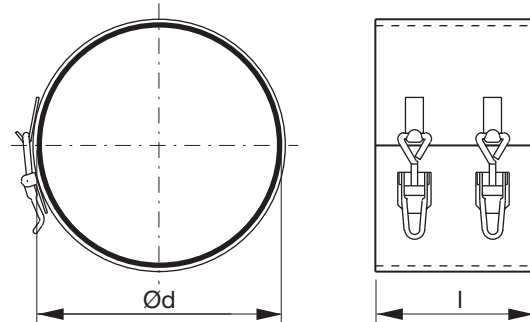


Sealing clamp

SVK



Dimensions



Description

Removable sealing clamp made from galvanised sheet steel.

The inside of the sealing clamp is covered with a thick layer of cellular EPDM rubber.

The sealing clamp can join two ducts together, fitting to duct or duct to fitting.

The sealing clamp is very useful when you want to be able to remove a fitting or a unit from a ventilation system, and can also be used to advantage for repairing a duct system.

Can be installed outside the outer jacket of an isolated duct.

The table below specifies the sealing clamp SVK, with diameter d, which is used on each nominal diameter d₁, of Isol.

Isol Ød ₁ nom	Isol 25 Use SVK Ød	Isol 50 Use SVK Ød
100	150	200
125	180	224
160	200	260
200	250	300
250	300	355
315	355	400
400	450	500
500	560	600

Ød nom	l mm	m kg
80	130	0,30
100	130	0,34
125	130	0,40
160	130	0,46
180	130	0,52
200	130	0,59
224	130	0,75
250	190	0,94
260	190	0,98
300	190	1,12
315	190	1,17
355	190	1,30
375	190	1,35
400	250	1,42
415	250	1,49
460	250	1,60
500	250	1,75
560	250	2,00
600	250	2,20

Ordering example

Product	SVK	315
Dimension Ød		