

Exhaust valve

URH



Description

The URH valve is used for air exhaust.

The valve has a low sound power level even at a relatively large pressure loss. URH is supplied in four standard sizes: 100, 125, 160 and 200 mm.

The URH valve fits directly into Lindab pipes by means of a standard VRGL type bayonet fitting or VRGU or VRGM type valve bushing.

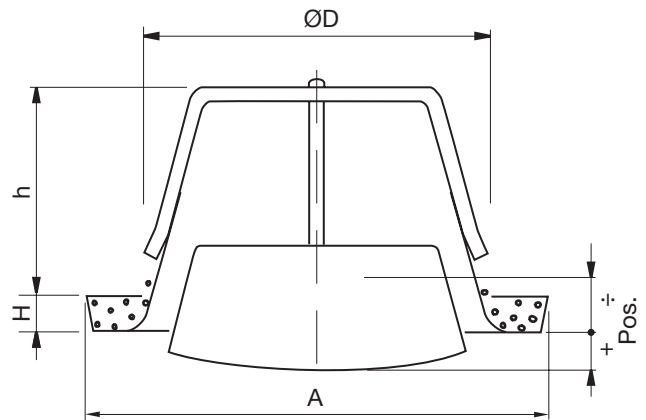
Materials

Materials: Steel

Maintenance

The visible parts can be wiped with a damp cloth.

Dimensions



ØD nom	ØA [mm]	H [mm]	h [mm]	m [kg]
100	140	13	77	0,30
125	165	13	77	0,40
160	200	13	77	0,60
200	250	13	77	0,80

Ordering example

Product	URH	160
Type		
Size		

Exhaust valve

URH

Technical data

Capacity

Volume flow q_v [l/s] and [m³/h], total pressure drop Δp_t [Pa], and A-balanced sound pressure level L_A [dB(A)] can be seen in the diagrams at various cone settings.

Pressure drop Δp_t

The diagrams specify the pressure drop Δp_t [Pa] as total pressure drop.

A-balanced sound pressure level L_A

The diagrams specify the A-balanced sound pressure level L_A [dB(A)] at a room attenuation of 4 dB.

Sound power level in octave bands L_{Wok}

Sound power level in octave bands L_{Wok} [dB] = $L_A + K_{Ok}$
 - see table below.

Size	Centre frequency Hz							
	63	125	250	500	1K	2K	4K	8K
100	-	-2	-2	-2	-1	-1	-12	-
125	-	2	0	-1	-3	0	-9	-
160	-	2	0	-1	1	-5	-10	-
200	-	2	-2	-1	1	-4	-13	-

tolerance	-	+/-3	+/-4	+/-3	+/-2	+/-2	+/-4	-
-----------	---	------	------	------	------	------	------	---

Sound attenuation ΔL

Sound attenuation of the diffuser ΔL (dB) including the end reflection, corresponding to the inlet diameter - see table below.

Size	Centre frequency Hz							
	63	125	250	500	1K	2K	4K	8K
100	-	23	18	15	13	11	6	-
125	-	18	16	13	11	9	6	-
160	-	18	14	10	11	8	7	-
200	-	13	12	9	9	8	5	-

Adjustment

Adjustment data for control of air volume is available in a separate brochure.

