

## Lindab **OLC**

Overflow unit - Installation instruction  
Overtryksarmatur - Installations vejledning  
Överluftsdon - Montageinstruktion  
Siirtoilmalaite - Asennusohje  
Nachströmventil - Montageanleitung  
Valvola di controllo della pressione - Istruzioni di montaggio  
Bouche de transfert - Instructions de montage  
Légátvezető - Szerelési útmutató



# OLC

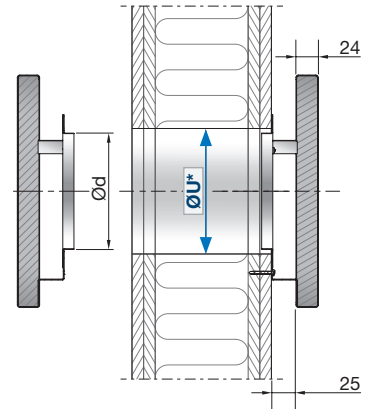
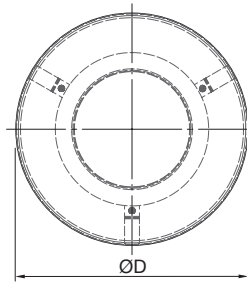
Overview  
 Oversigt  
 Översikt  
 Yleiskatsaus  
 Übersicht  
 Panorâmica  
 Aperçu  
 Áttekintés



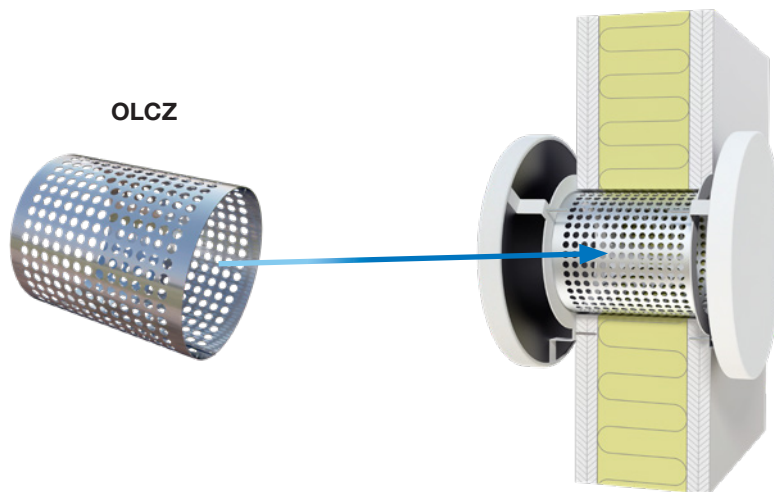
Dimensions  
 Dimensioner  
 Dimensioner  
 Mitat  
 Dimensionen  
 Dimensioni  
 Dimensions  
 Áttekintés

$$\text{ØU}^* = \text{Ød} + 10 \text{ mm}$$

Ød	ØD [mm]	ØU*
100	200	108-110
125	250	133-135
160	300	168-170

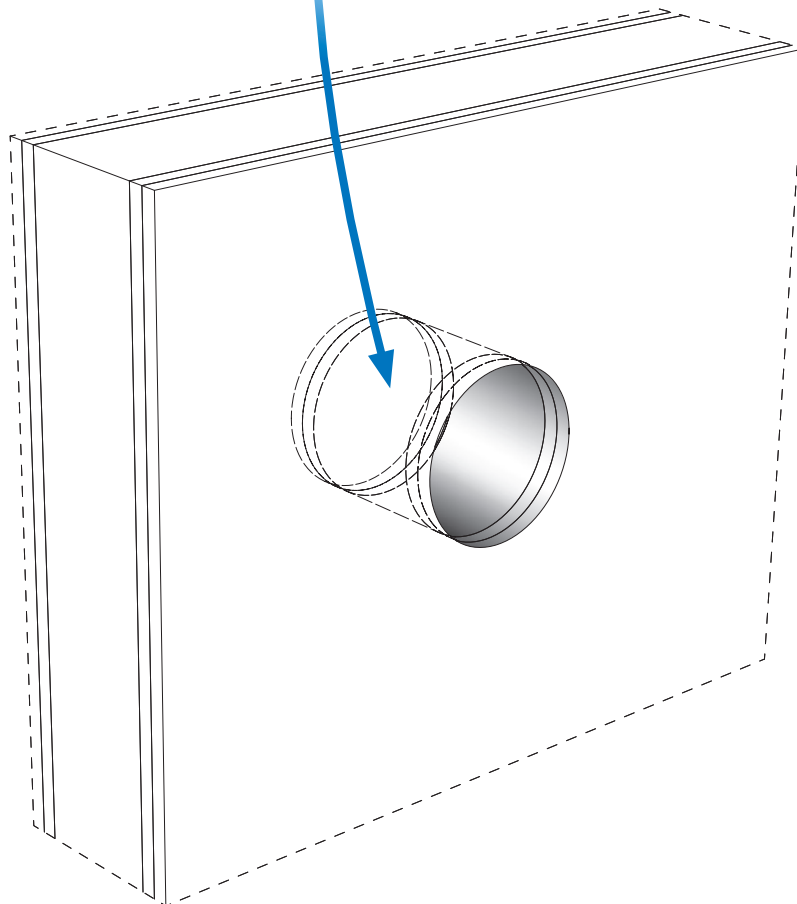
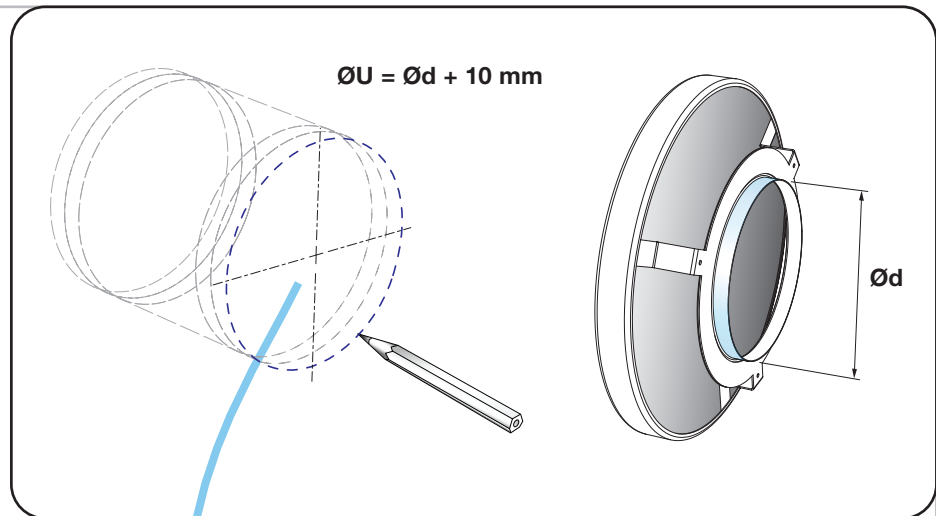


Accessories  
 Tilbehør  
 Tilbehør  
 Lisävarusteet  
 Zubehör  
 Accessori  
 Accessories  
 Kiegészítők

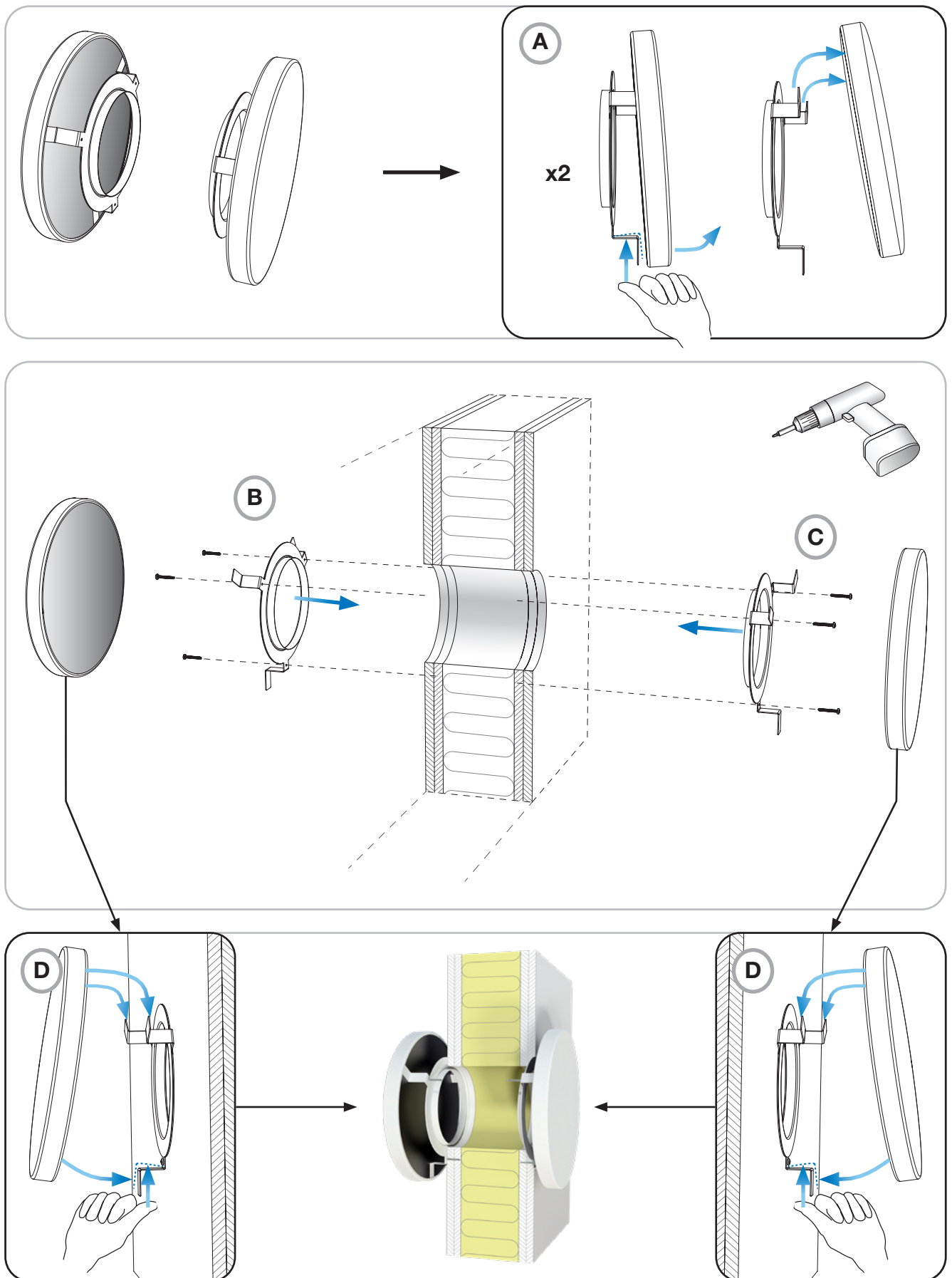


## OLC

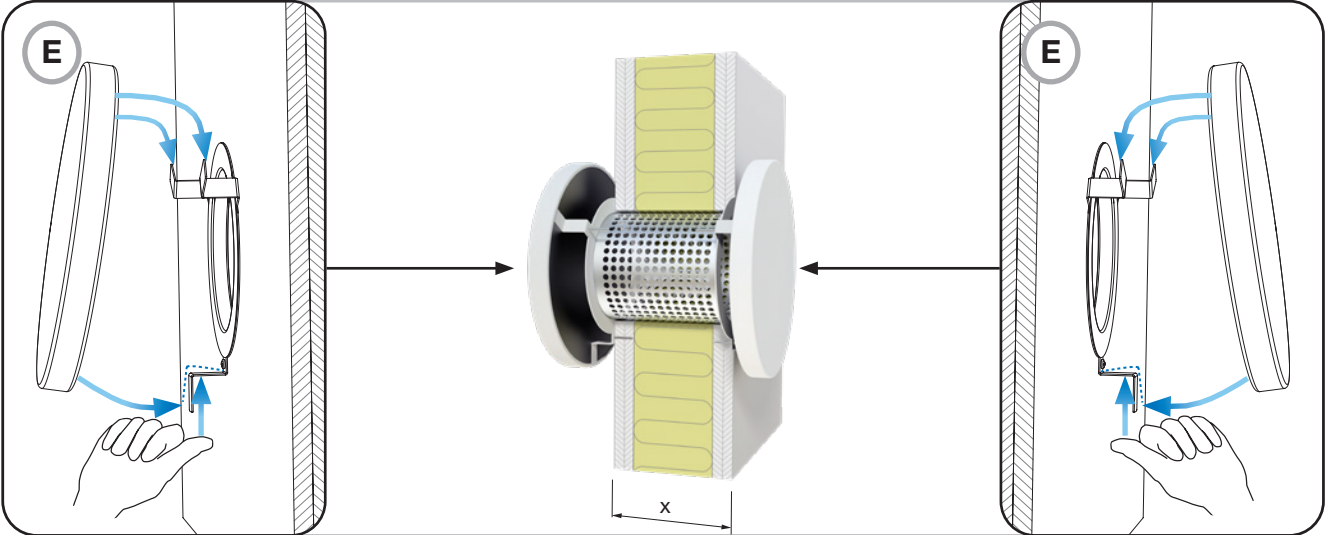
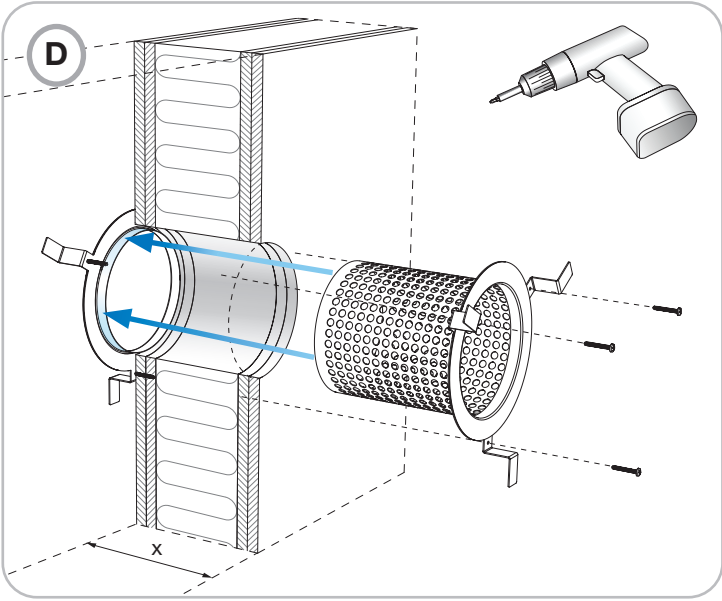
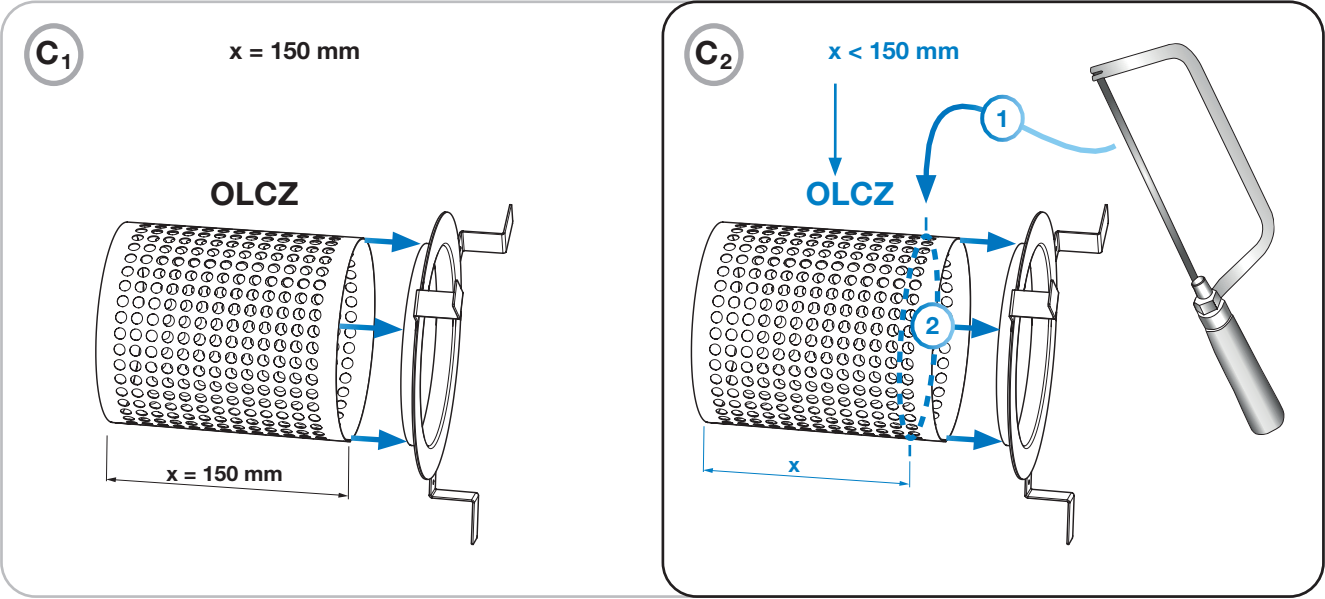
Cutout dimension  
 Udskæringsmål  
 Utskärningsmått  
 Asennusaukko  
 Ausschnittsmaß  
 Dimensione del foro  
 Dimensions d'ouverture  
 Kivágási méretek



# OLC



# OLC - OLCZ





Most of us spend the majority of our time indoors. Indoor climate is crucial to how we feel, how productive we are and if we stay healthy.

We at Lindab have therefore made it our most important objective to contribute to an indoor climate that improves people's lives. We do this by developing energy-efficient ventilation solutions and durable building products. We also aim to contribute to a better climate for our planet by working in a way that is sustainable for both people and the environment.

[Lindab](#) | For a better climate