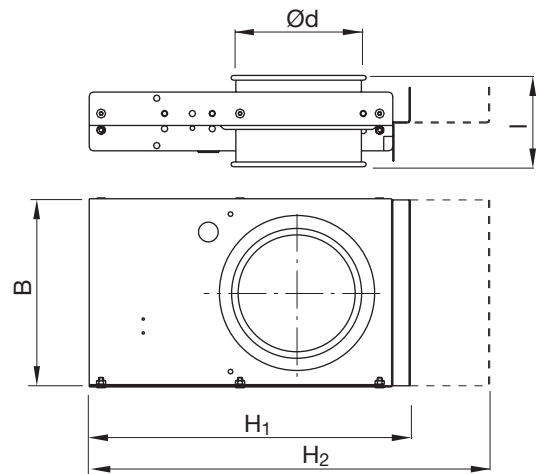


Sliding damper – manual

SKMTR



Dimensions



Description

Manual shut-off sliding damper with transfer joint

The damper meets the requirements for tightness class 4 at pressure class C.

The damper meets the requirements for tightness class C only in fully closed or fully opened position.

There is a separate assembly, measuring, balancing and maintenance instruction for this product.

Dim. 80-200 are equipped with a screw, preventing the blade from being pulled out from the casing.

Dim. 224-400 does not have this screw.

Ød nom	H ₁ [mm]	H ₂ [mm]	B [mm]	l [mm]	m [kg]
80	223	338	157	125	2,10
100	263	398	177	125	2,60
125	314	475	202	125	3,30
140	363	548	227	125	4,10
150	363	548	227	125	4,50
160	383	574	237	125	4,40
180	463	699	277	125	5,70
200	463	699	277	125	5,80
224 *	562	849	347	165	12,0
250 *	562	849	371	165	12,3
300 *	692	1050	422	165	17,0
315 *	692	1050	422	165	17,0
350 *	763	1160	472	165	19,0
400 *	863	1310	522	165	24,0

* **NOTE:** Dim. 224-400 does not have a screw, preventing the blade from being pulled out from the casing.

Ordering example

Product	SKMTR	200
Dimension Ød		