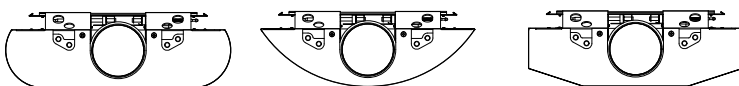


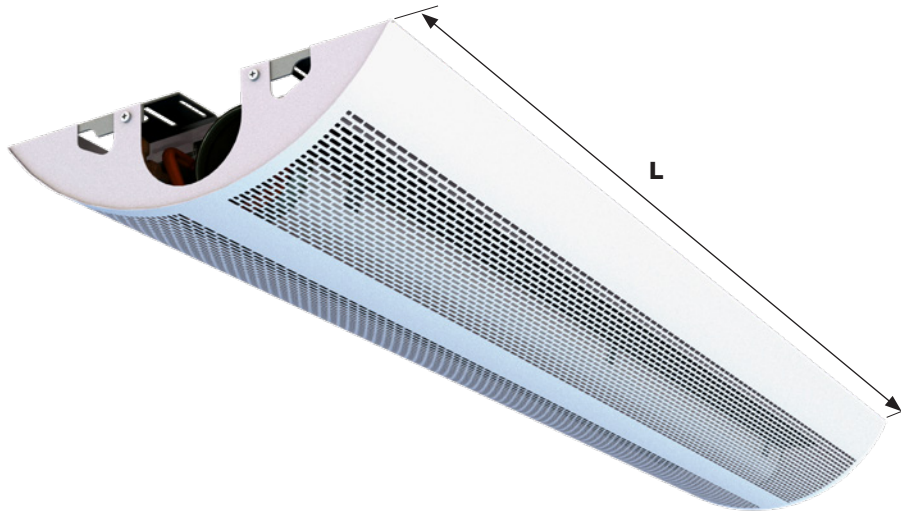
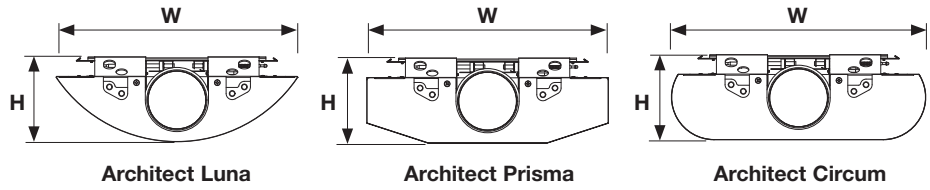
Lindab **Architect**

Exposed active chilled beam
Installation instruction



Architect

Dimensions



Architect is as standard delivered in steps of 0.1 [m] between 1.2 - 3.0 [m]

Architect	Ø [mm]	L [mm]	W [mm]	H [mm]	[kg/m]
Luna	125	(1200 / / 3000 l _n)	497	175	11
Prisma	125	(1200 / / 3000 l _n)	497	175	
Circum	125	(1200 / / 3000 l _n)	523	175	

Symbols



Heavy Load - 2 man job. It is recommended to use a "lift" for mounting



Hot water

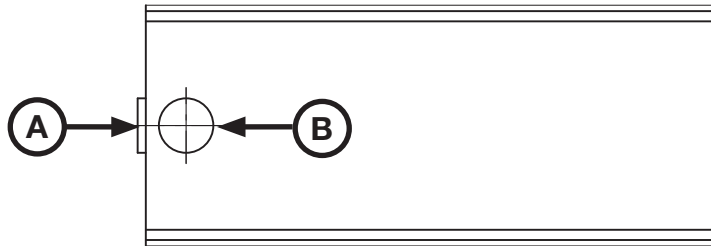


Cold water

Architect

Possible connections - Supply air

A, B



Possible connections - Water

Cooling

1, 2, 3, 4

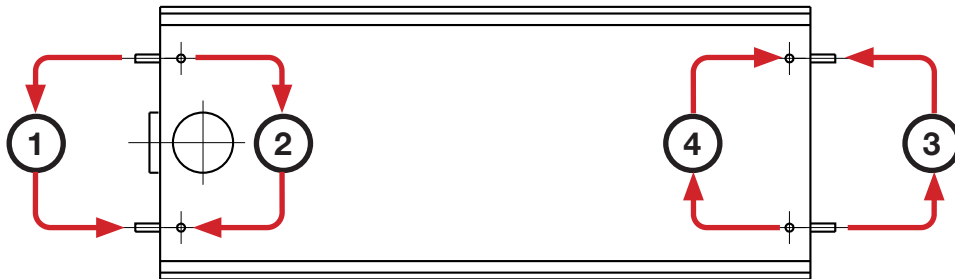


Architect

Possible connections - Water

Heating

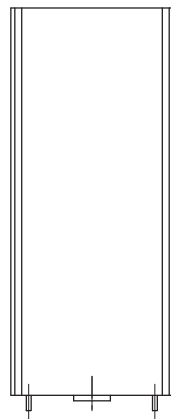
1, 2, 3, 4



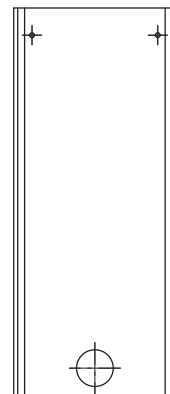
Architect standard with cooling only - Can also be ordered with heating.

Possible combinations - Air / Water

A: 1, 2, 3, 4
B: 1, 2, 3, 4



A1



B4

Architect

Mount upper part

Option 1



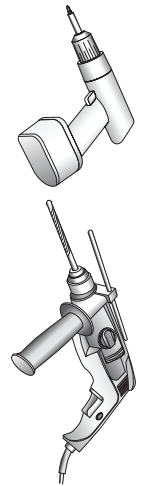
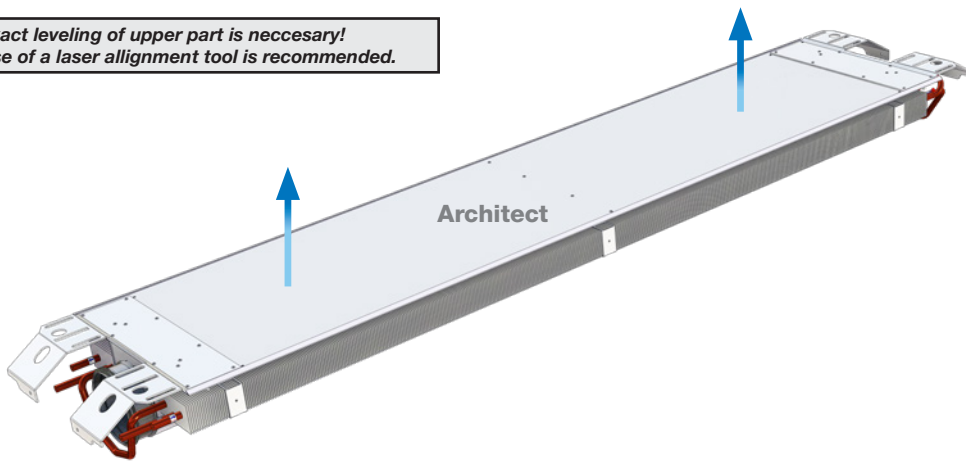
Option 2



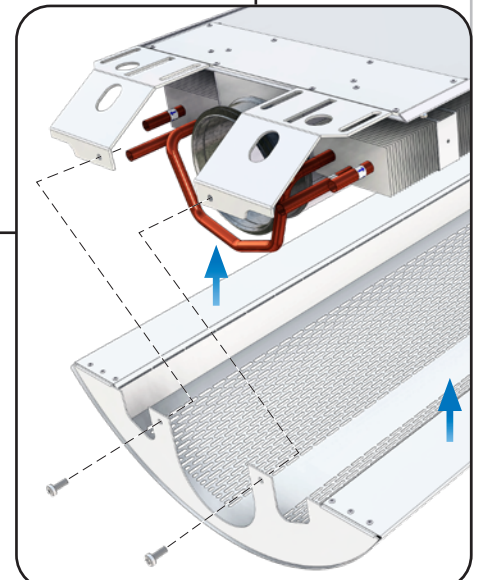
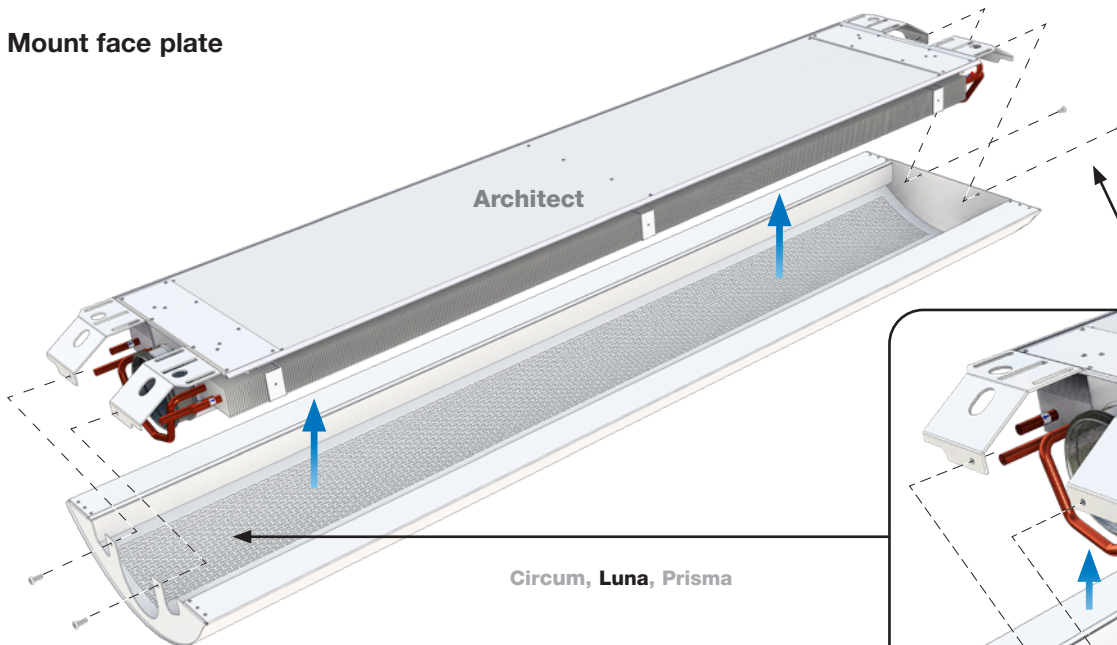
Option 3



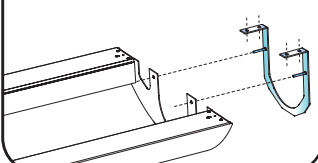
Exact leveling of upper part is necessary!
Use of a laser alignment tool is recommended.



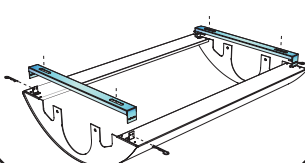
Mount face plate



Extended Cover

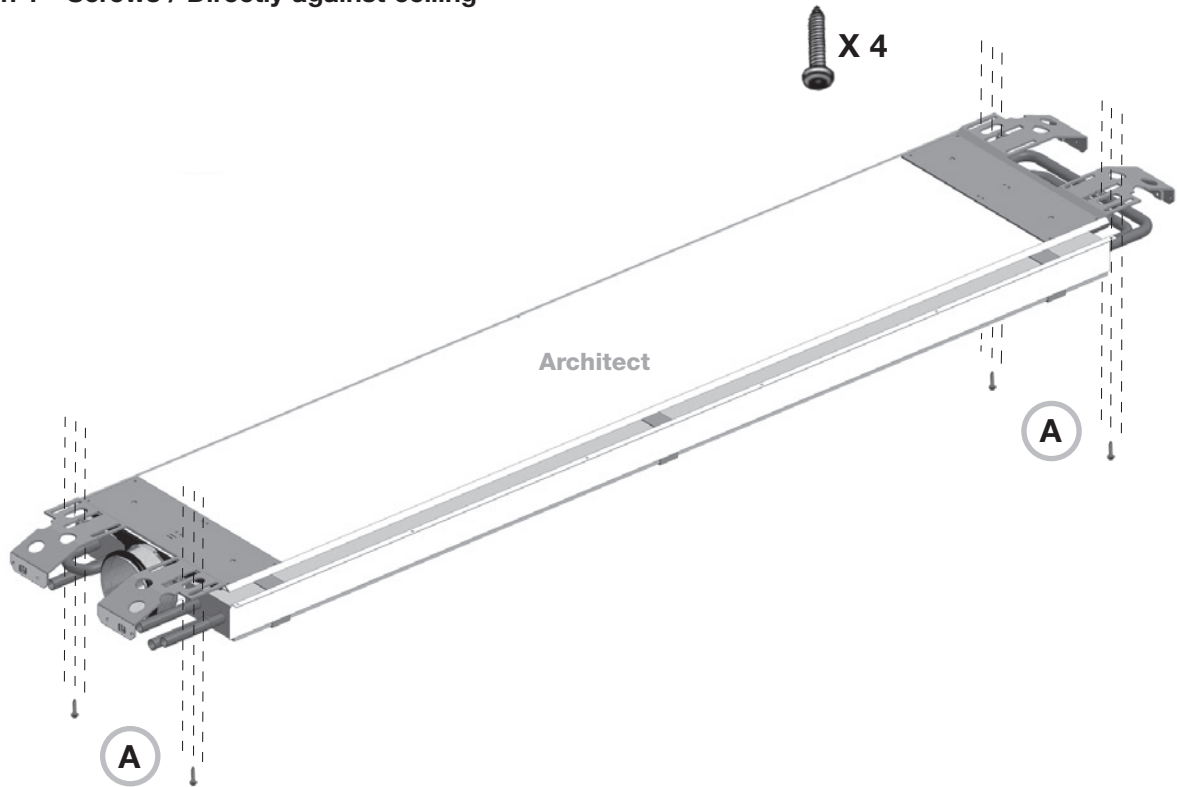


Connection Cover

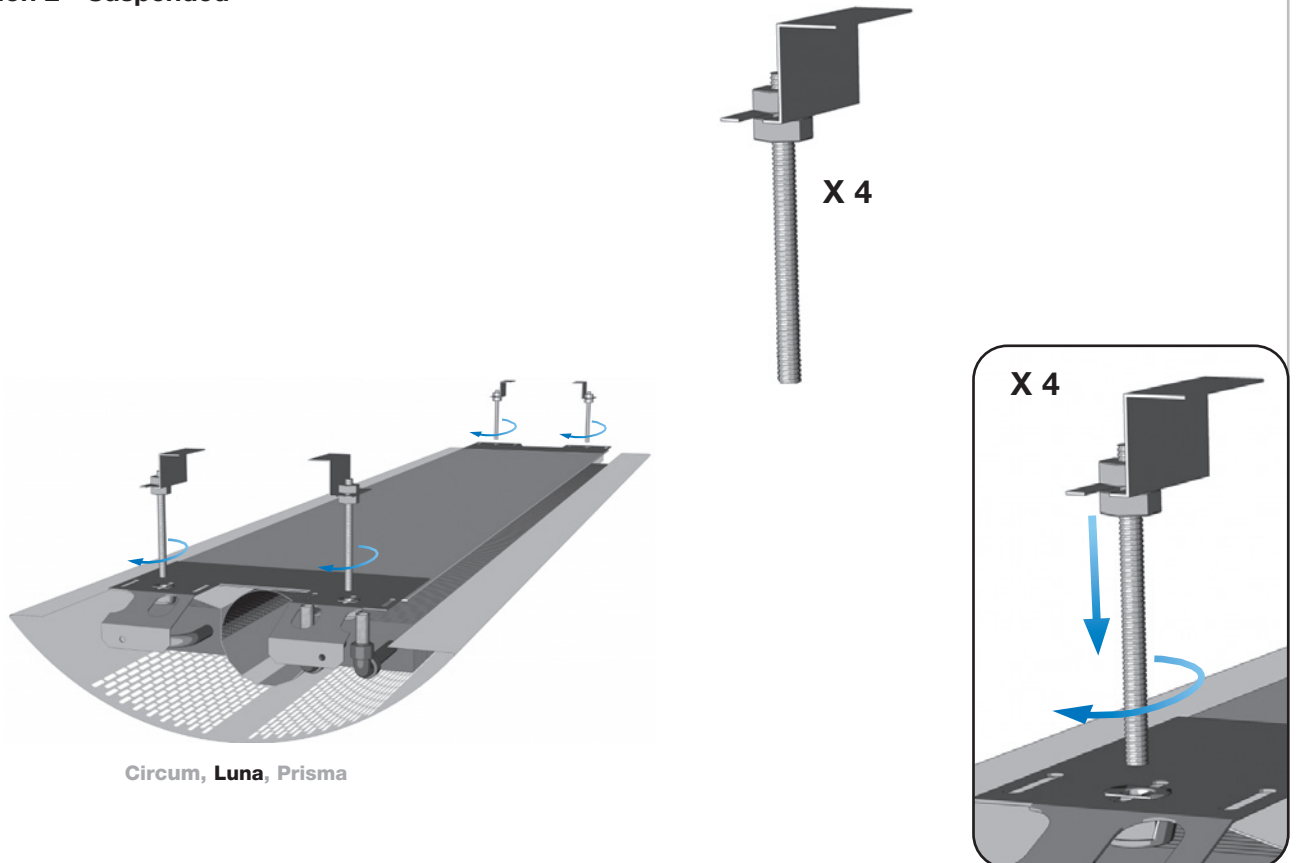


Architect

Option 1 - Screws / Directly against ceiling

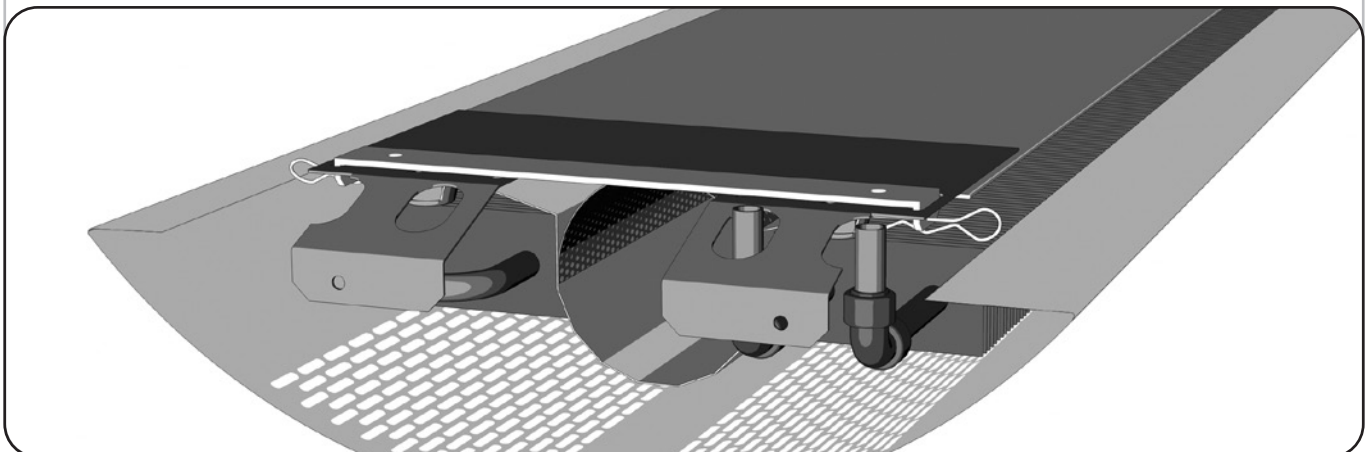
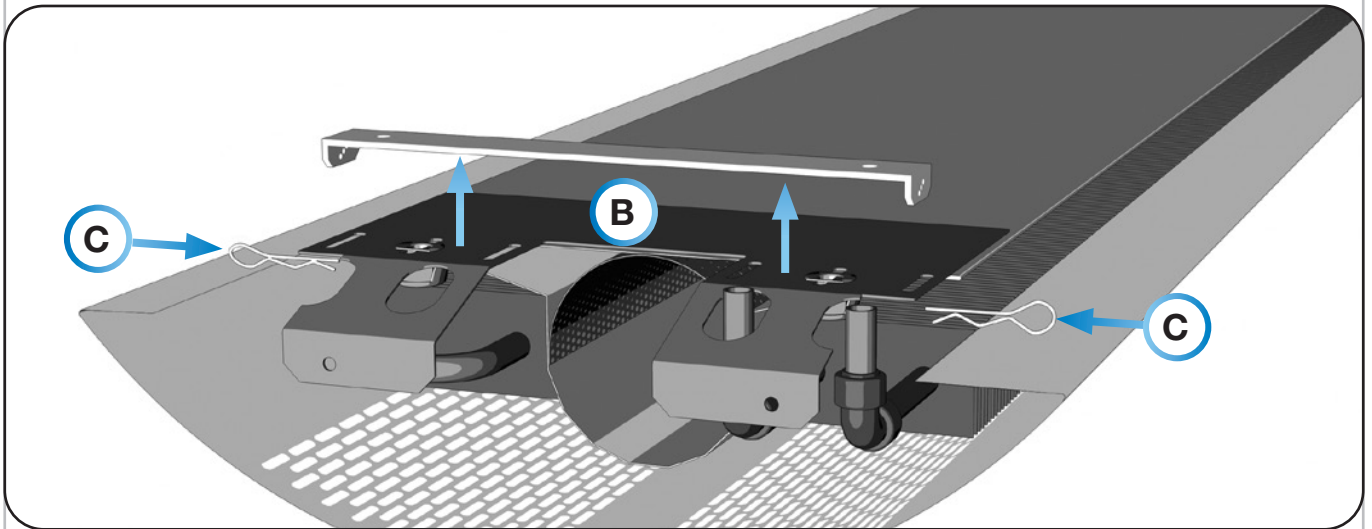
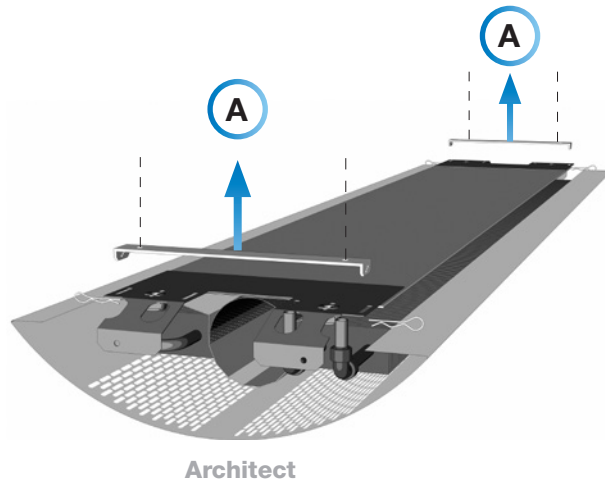


Option 2 - Suspended



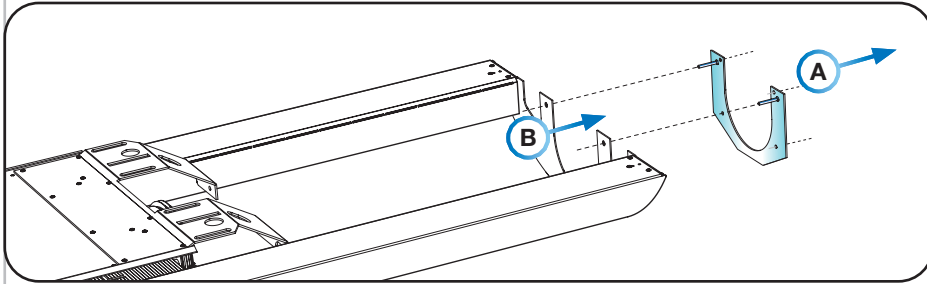
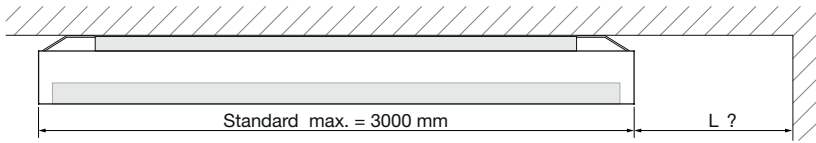
Architect

Option 3 - Ceiling bracket

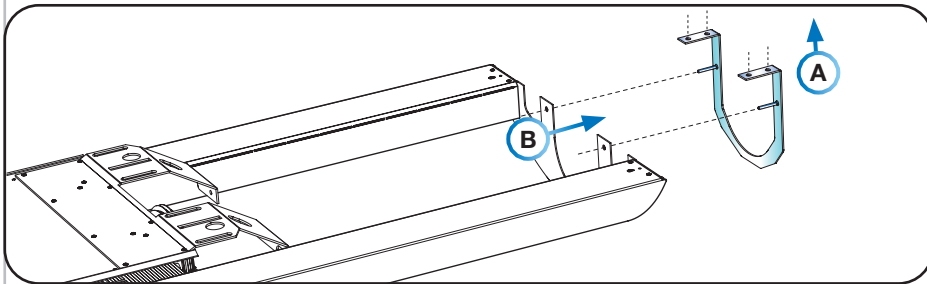
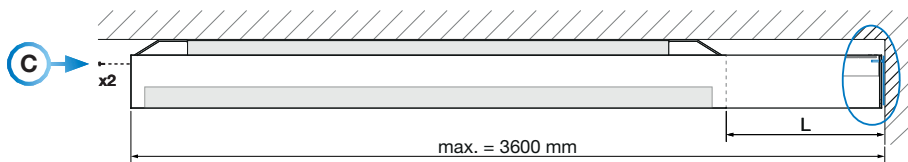
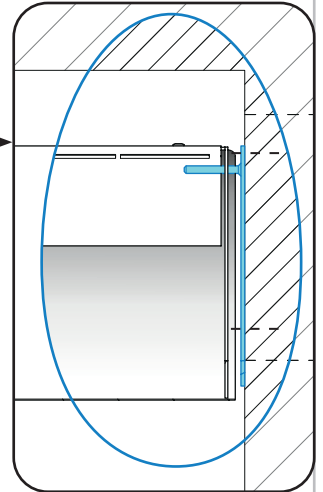


Architect

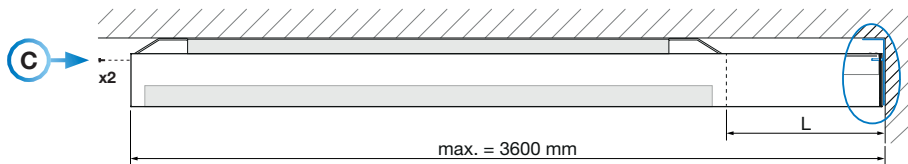
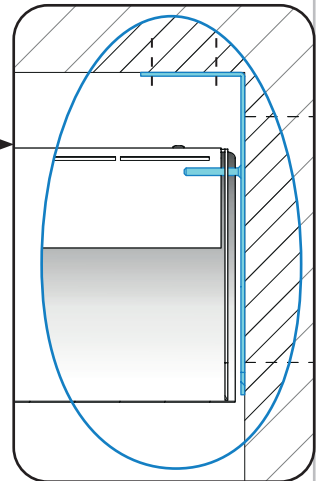
Extended Cover



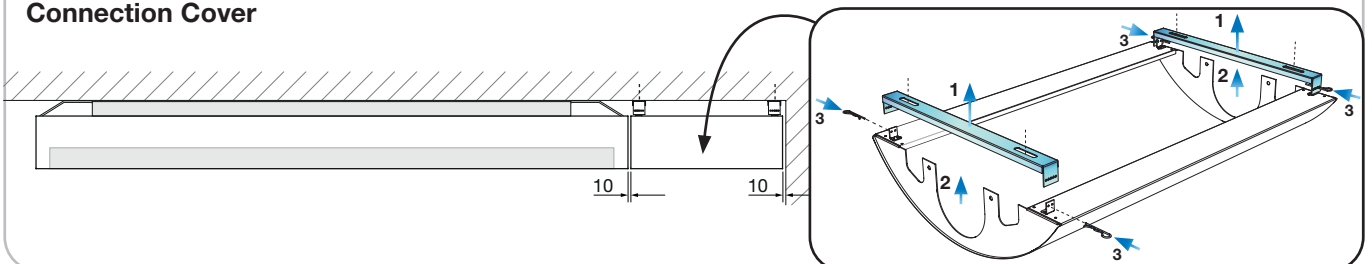
Wall attachment



Attachment against ceiling

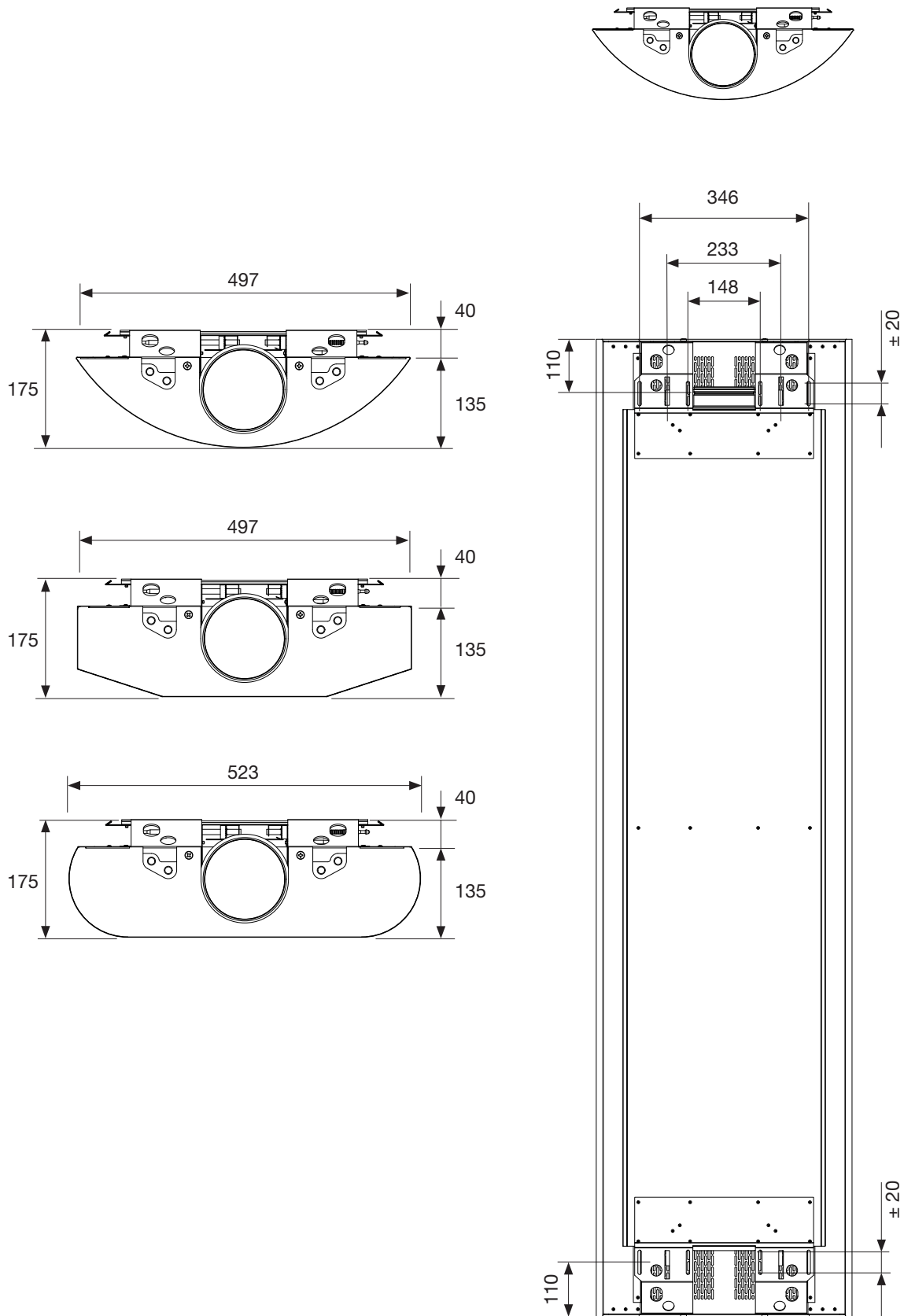


Connection Cover



Architect

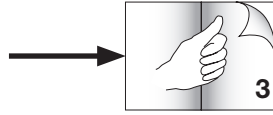
Suspension, connection



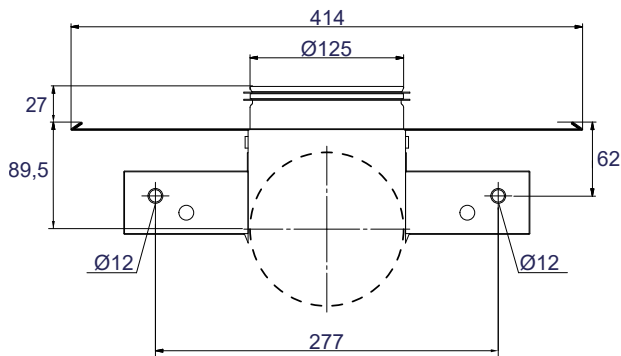
Architect

Connection dimensions

Cooling

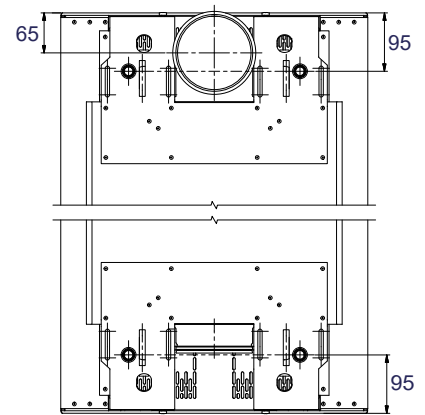


B1 + B3 (A1 + A3)



Connection

A2, B2, A4, B4

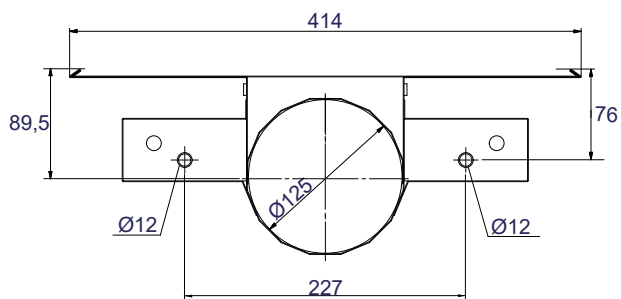


Connection dimensions

Heating

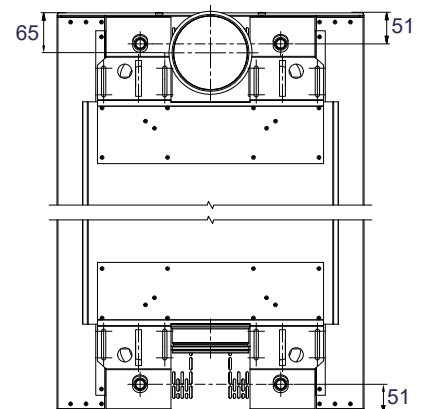


A1 + A3 (B1 + B3)



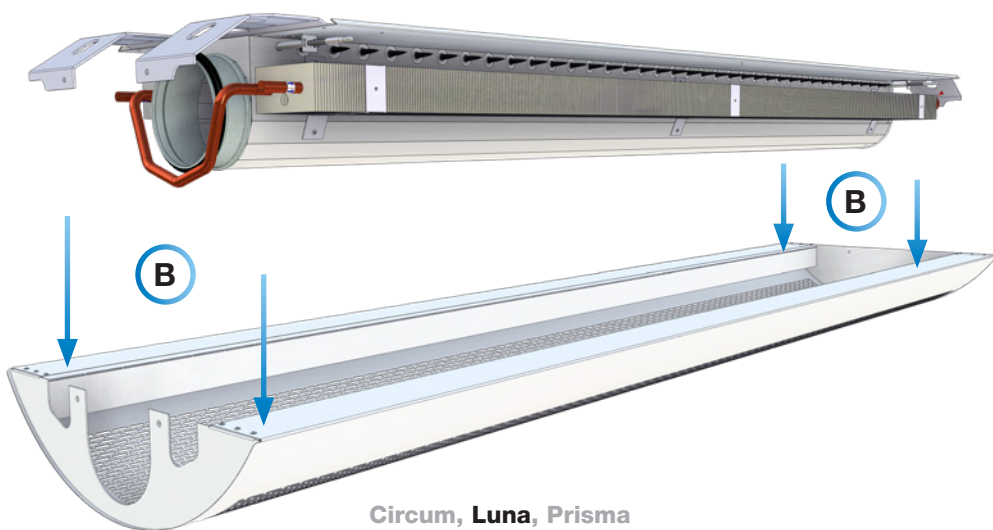
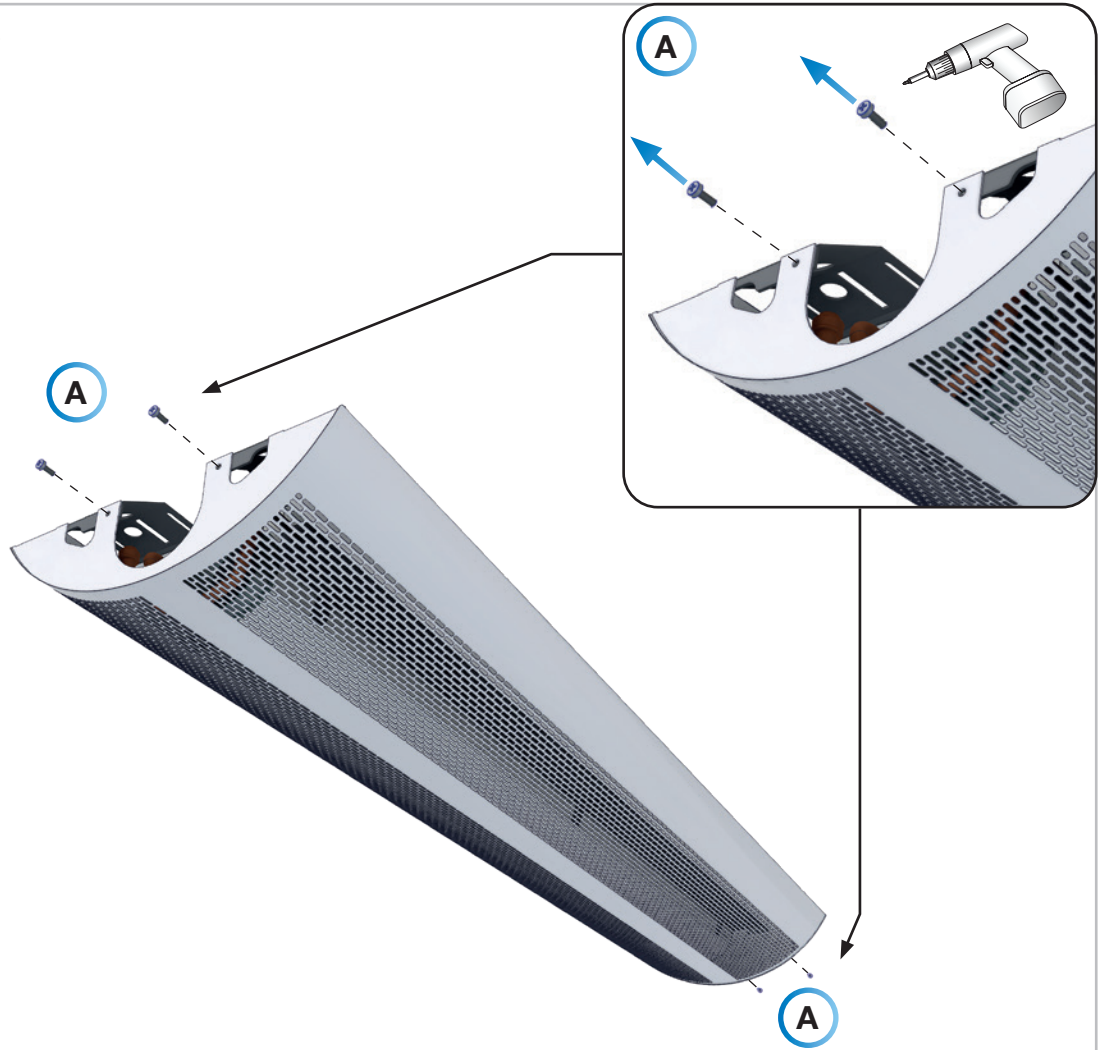
Connection

A2, B2, A4, B4



Architect

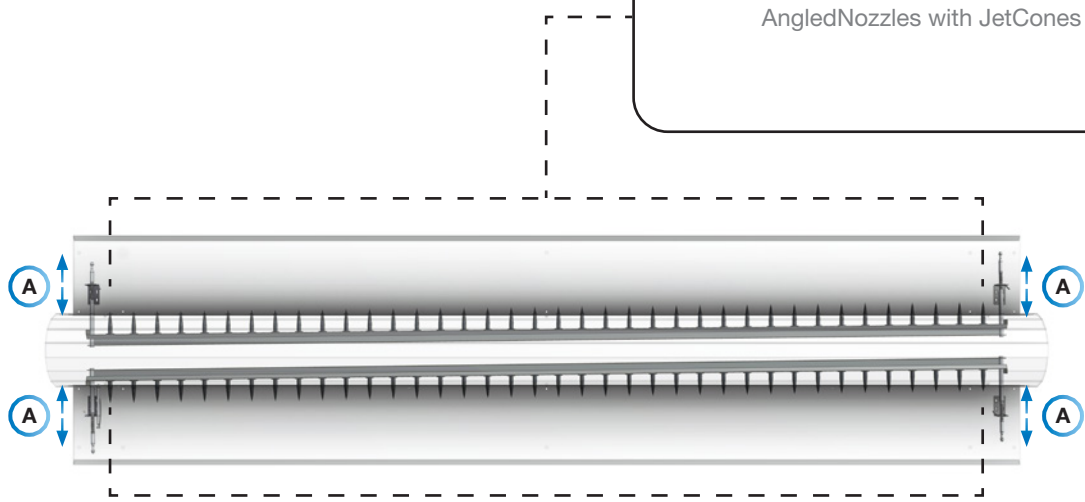
Opening face plate



Circum, Luna, Prisma

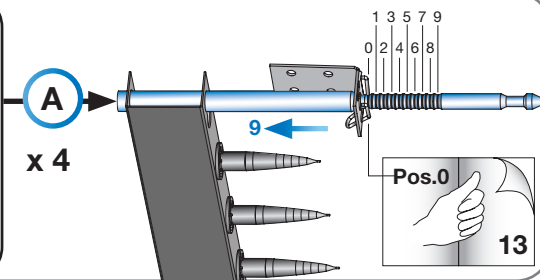
Architect

JetCone 4 adjustment points



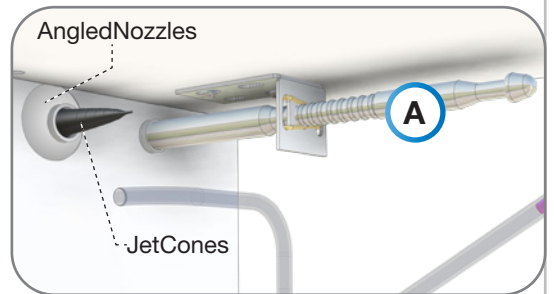
Adjustment pins

x 4

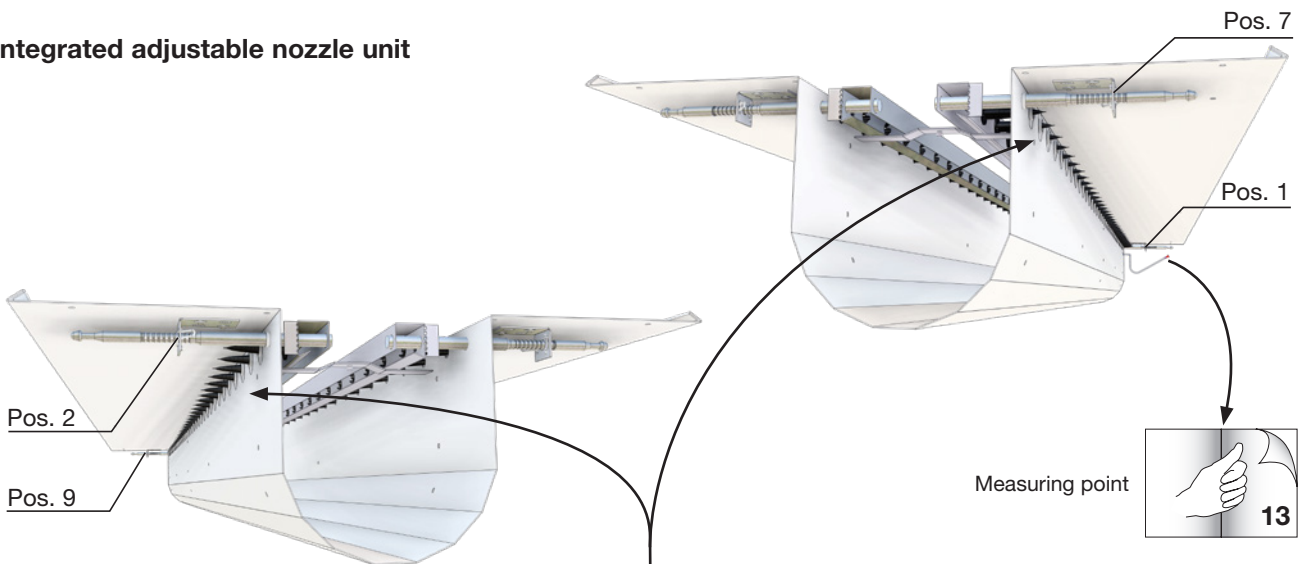


AngledNozzles

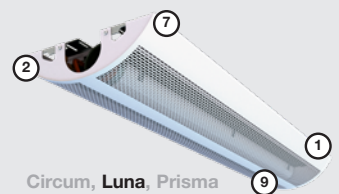
JetCones



Integrated adjustable nozzle unit

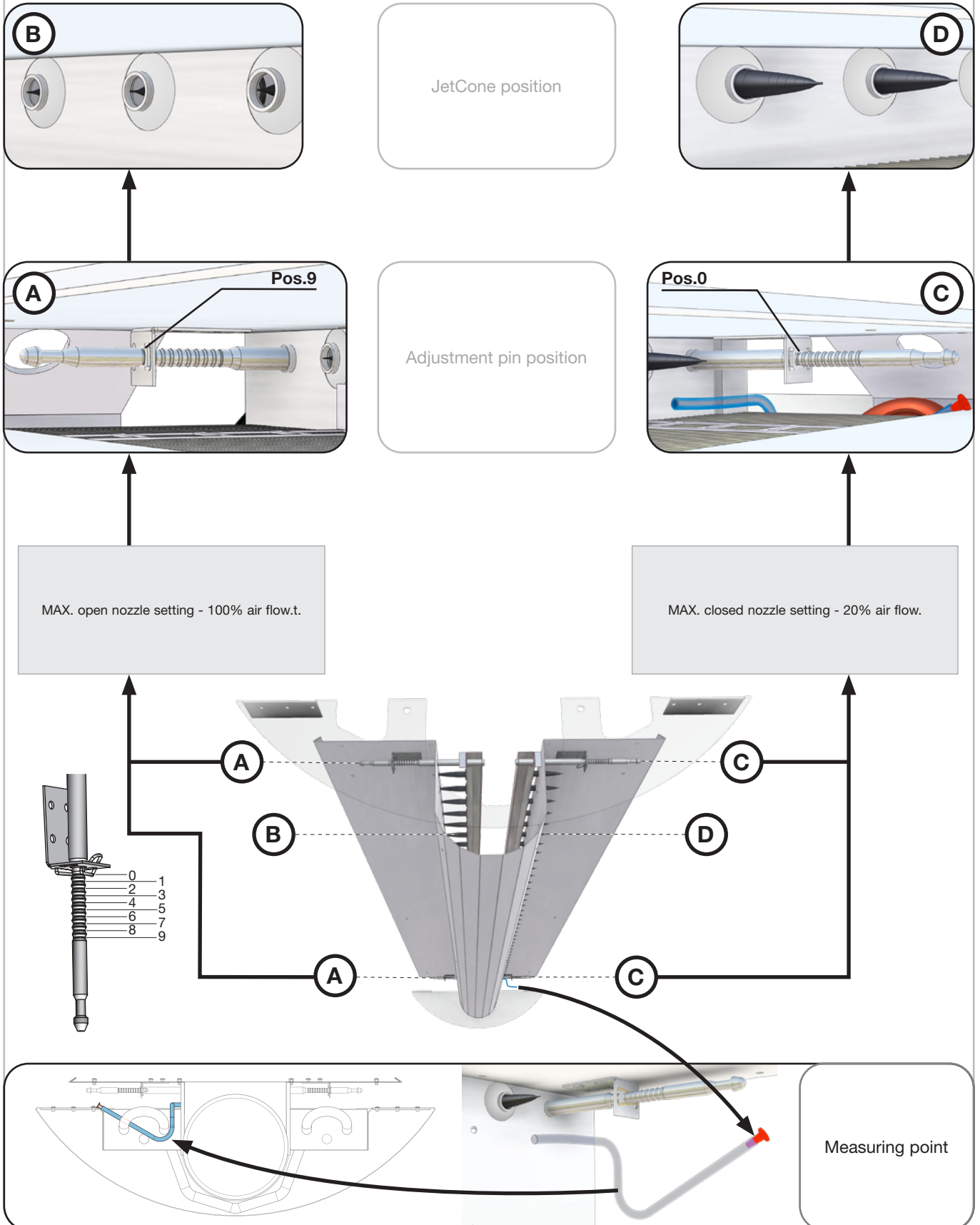


Example - Asymmetrical pattern - When pins are in same position => symmetrical pattern.



Architect

JetCone 4 adjustment points



Architect

JetCone 4 adjustment points

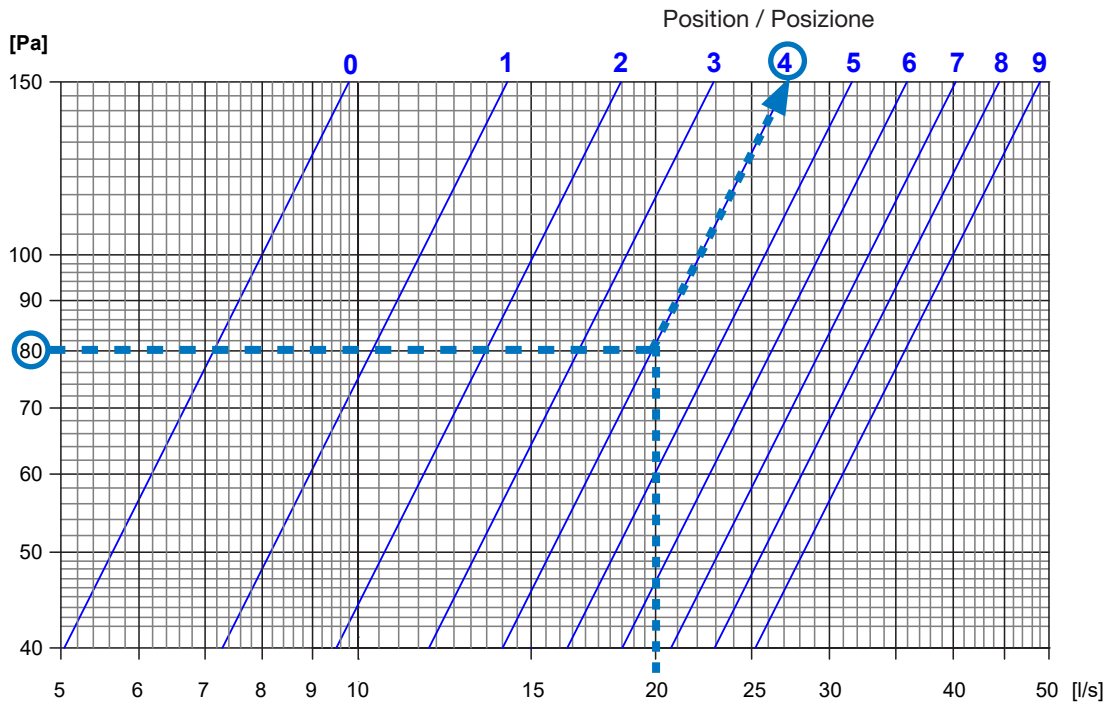
$1.2 \text{ [m]} \leq L \leq 2.0 \text{ [m]}$

Architect

$\Delta p_t = 80 \text{ [Pa]}$

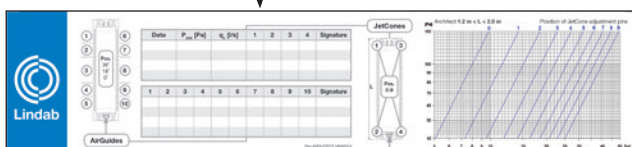
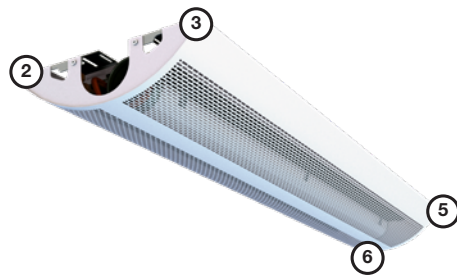
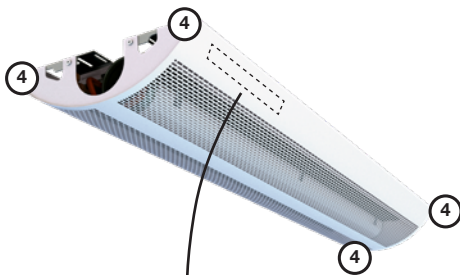
$q_a = 20 \text{ [l/s]}$

Example



Symmetric adjustment

Asymmetric adjustment



Keep average value as read in diagram (=4).

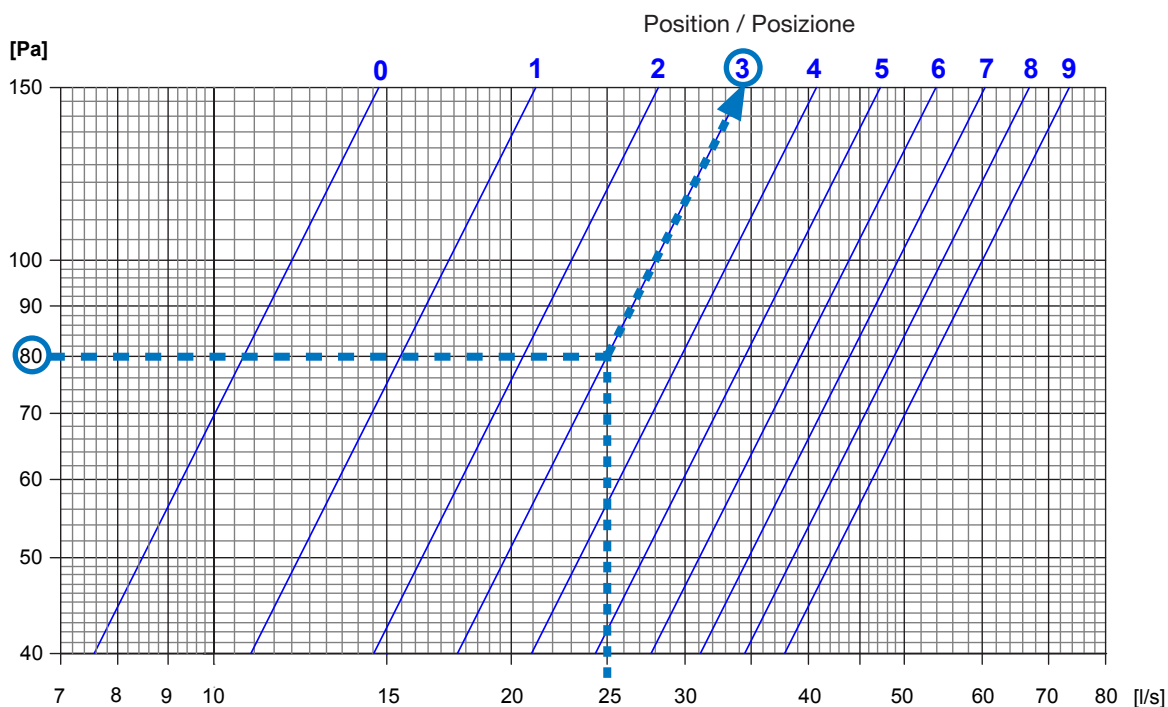
Architect

JetCone 4 adjustment points

2.0 [m] < L ≤ 3.0 [m]

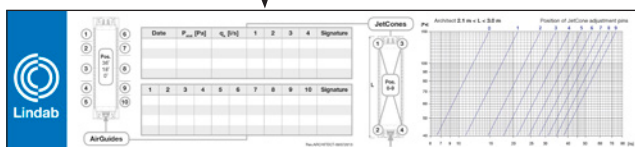
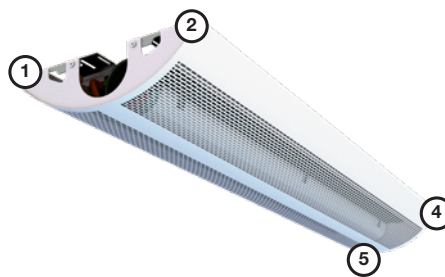
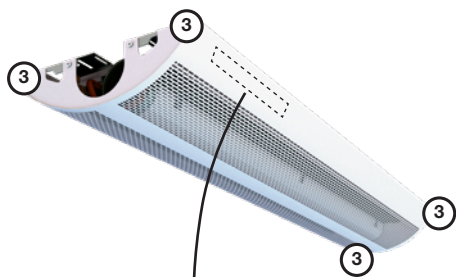
Architect
 $\Delta p_t = 80$ [Pa]
 $q_a = 25$ [l/s]

Example



Symmetric adjustment

Asymmetric adjustment



Keep average value as read in diagram (=3).



Most of us spend the majority of our time indoors. Indoor climate is crucial to how we feel, how productive we are and if we stay healthy.

We at Lindab have therefore made it our most important objective to contribute to an indoor climate that improves people's lives. We do this by developing energy-efficient ventilation solutions and durable building products. We also aim to contribute to a better climate for our planet by working in a way that is sustainable for both people and the environment.

[Lindab](#) | For a better climate