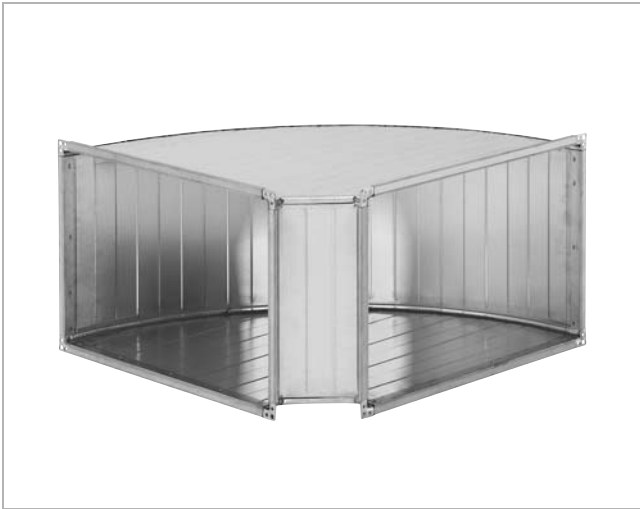
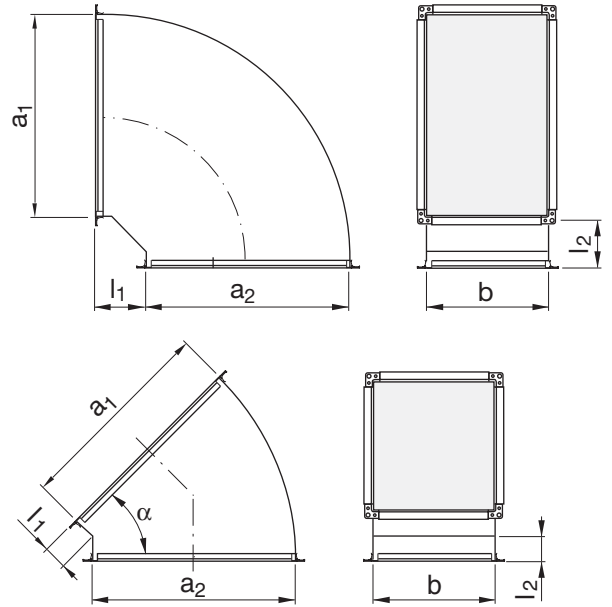


Bend

LBXRSS



Dimensions



Description

Bend with rounded outer corner, stiffened with corrugations.

The bend is delivered with 90° or 45° angles and joining profiles type RJFP at both ends. The guide vane is an extra accessory that has to be ordered on request and other leg lengths and angles is possible as well, talk with your nearest Lindab contact for more information.

Standard design $l_1 = l_2 = 125$ mm.

The product is CE marked according to EN 12101-7 and used in a rectangular smoke control system - single compartment (see declaration of performance).

Ordering example

	LBXRSS	500	300	500	90	125	125
Product							
Form side	a_1						
Curved side	b						
Form side	a_2						
Angle	α						
Leg length	l_1						
Leg length	l_2						