

Roof weather protection VHINP/VHINP-S



Description

The roof cover type VHINP is made of galvanized steel sheet.

When mounted, the duct collar together with sealant creates a watertight sealing.

VHINP/VHINP-S is available in angles 0°, 1-15° and 16-30°

VHINP/VHINP-S are delivered sealed of around the cone.

Material

VHINP - Galvanized sheet and grey roofplate.

VHINP-S - Galvanized sheet and powder coated in black and black roofplate.

Maintenance

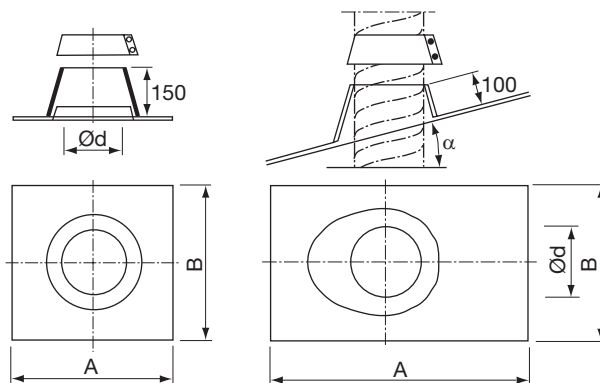
Check the assembled product at two-year intervals for possible wear.

Mounting

Before mounting VHINP/VHINP-S, it must be checked for possible damage caused during transport.

After mounting VHINP/VHINP-S, it must be checked for possible damage caused during mounting.

Dimensions



VHINP 0°

VHINP 1-15°, 16-30°

VHINP/VHINP-S 0°

Ød nom	A nom	B mm
80	531	531
100	551	551
125	576	576
160	611	611
200	650	650
224	675	675
250	700	700
280	730	730
315	765	765
355	806	806
400	854	854
450	904	904
500	954	954
560	1014	1014
630	1084	1084
710	1164	1164
800	1254	1254

Ordering example

	VHINP	250	31-45°
Product			
Dimension Ød			
Angle α			

Roof weather protection VHINP/VHINP-S

Dimensions

VHINP/VHINP-S 1-15°

Ød nom	A mm	B mm
80	525	523
100	546	544
125	572	569
160	608	605
200	650	646
224	675	670
250	702	697
280	733	725
315	770	764
355	811	805
400	858	851
450	910	902
500	962	954
560	1025	1015
630	1098	1087
710	1181	1169
800	1275	1261

VHINP/VHINP-S 16-30°

Ød nom	A mm	B mm
80	539	528
100	562	549
125	591	575
160	631	612
200	677	655
224	703	678
250	735	708
280	770	740
315	810	777
355	857	819
400	908	867
450	966	920
500	1024	973
560	1093	1037
630	1174	1111
710	1266	1196
800	1371	1292