



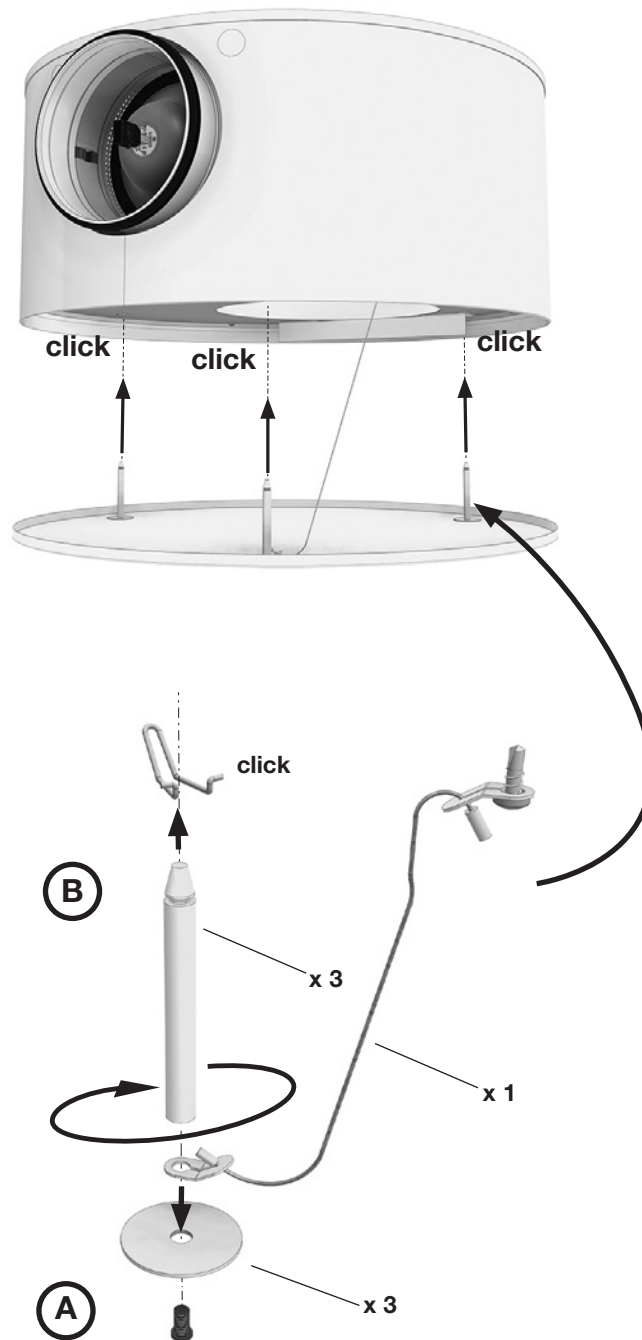
Lindab **LCF**

Installation instruction
Installations vejledning
Montageinstruktion
Assennusohje
Montageanleitung
Istruzioni di montaggio
Instructions de montage



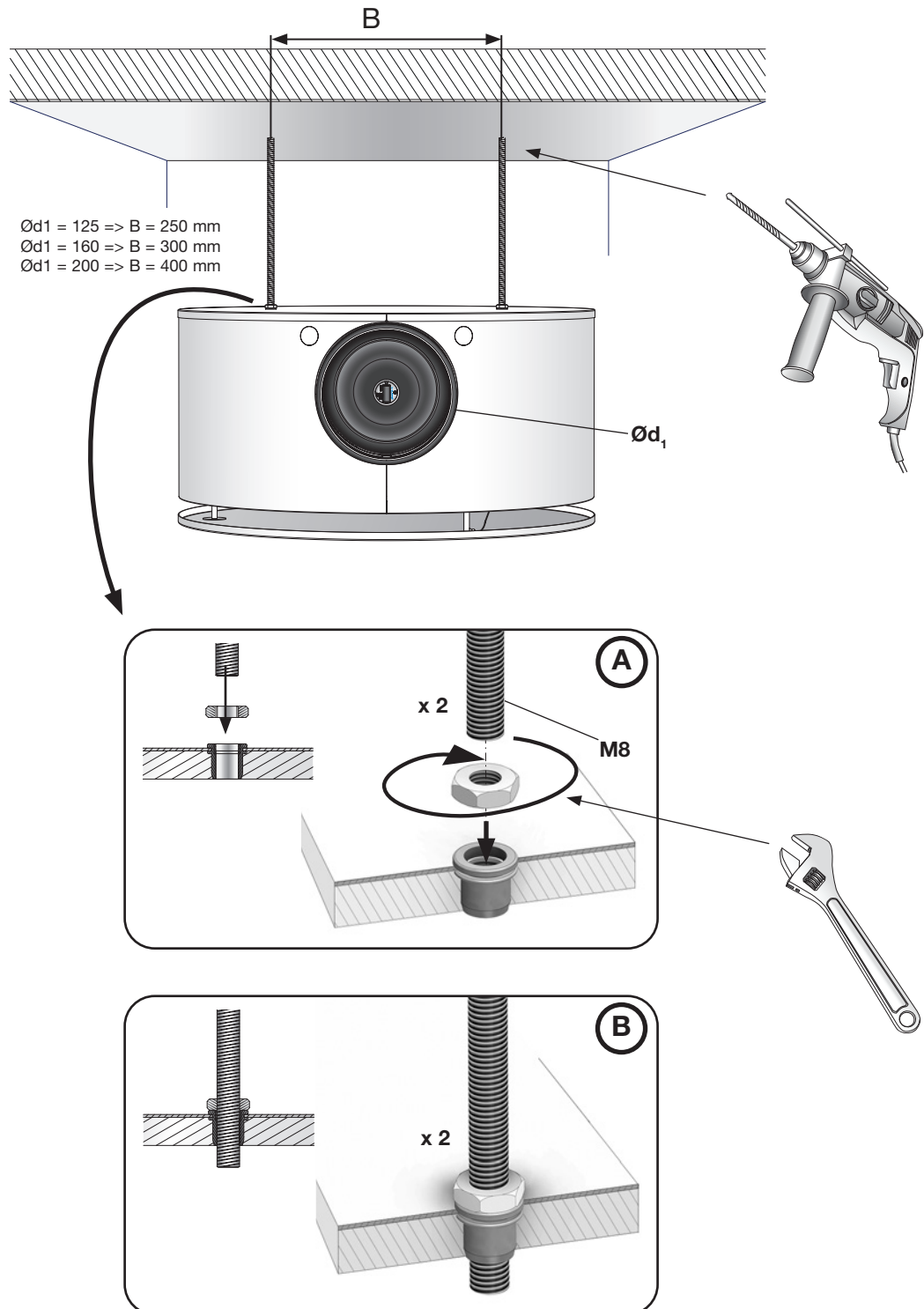
LCF

Installation of faceplate
Installation af bundplade
Montera frontplatta
Etulevyn asennus
Montage der Frontplatte
Installazione del frontale
Montage de la façade



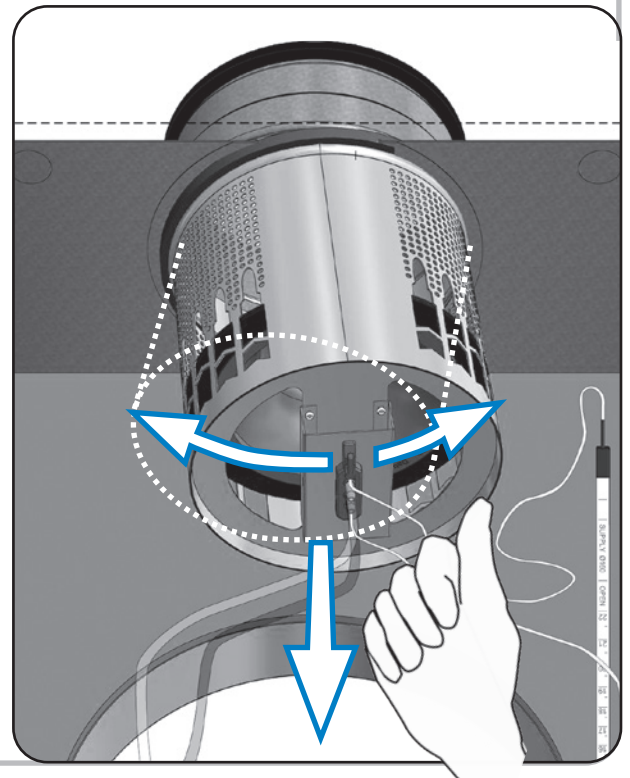
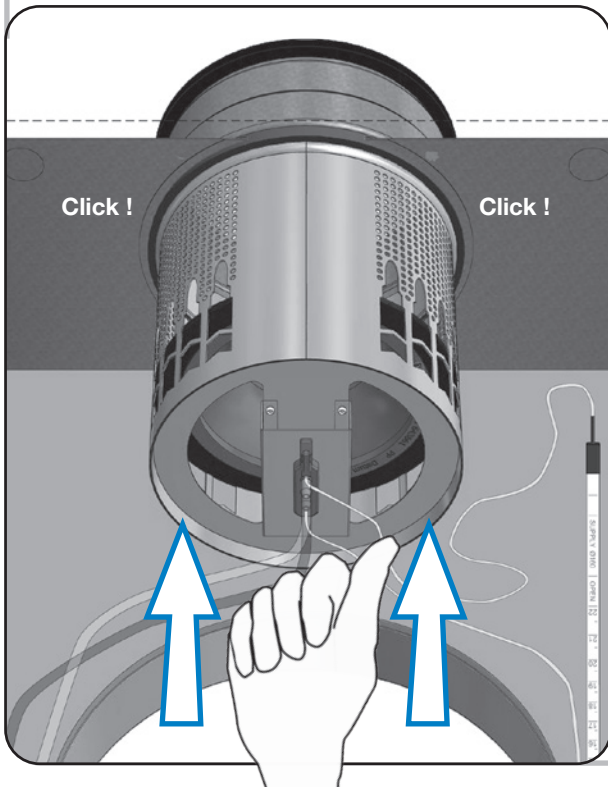
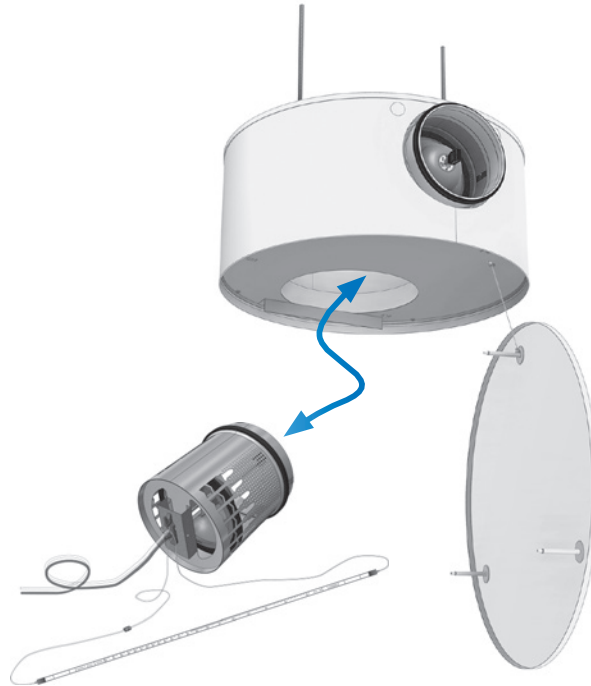
LCF

Mounting of LCF in ceiling
Ophængning af LCF i loft
Upphängning av LCF mot tak
Kannakointi LCF
Montage des LCF an der Decke
Montaggio LCF a soffitto
Installation de LCF contre le plafond



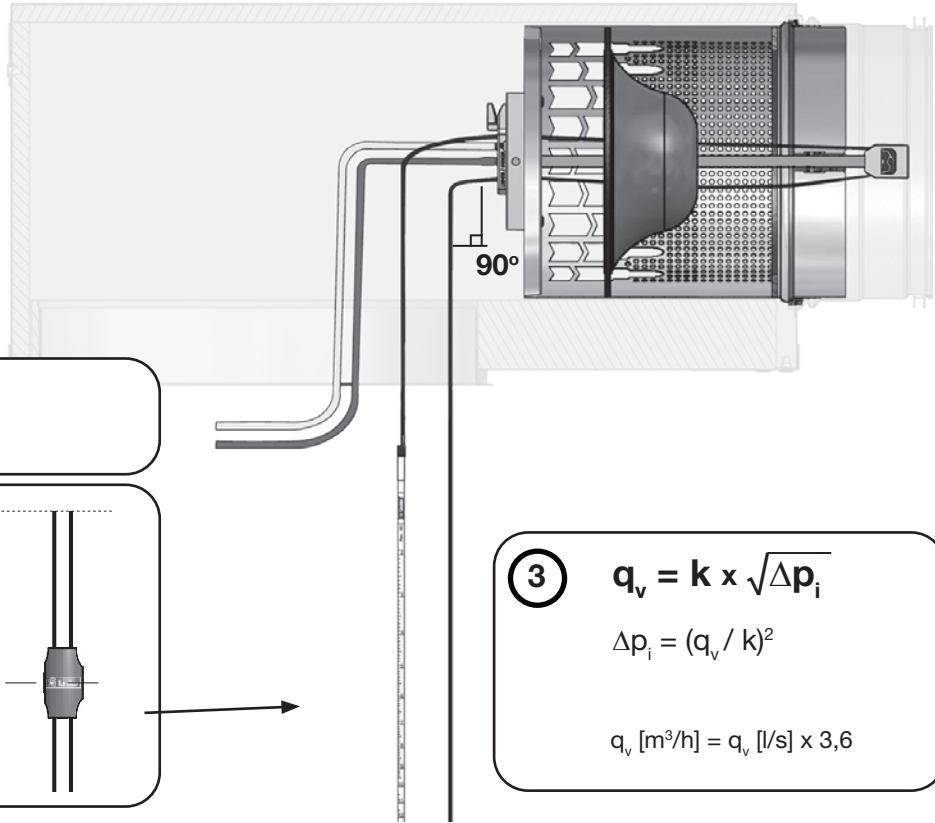
LCF

Install / uninstall the damper
Montering / demontering af spjældet
Montera / demontera spjäll
Säätöpellin asennus / irrota
Montage / Demontage der Drossel
Montaggio / Smontaggio serranda
Montage / Démontage du registre



LCF

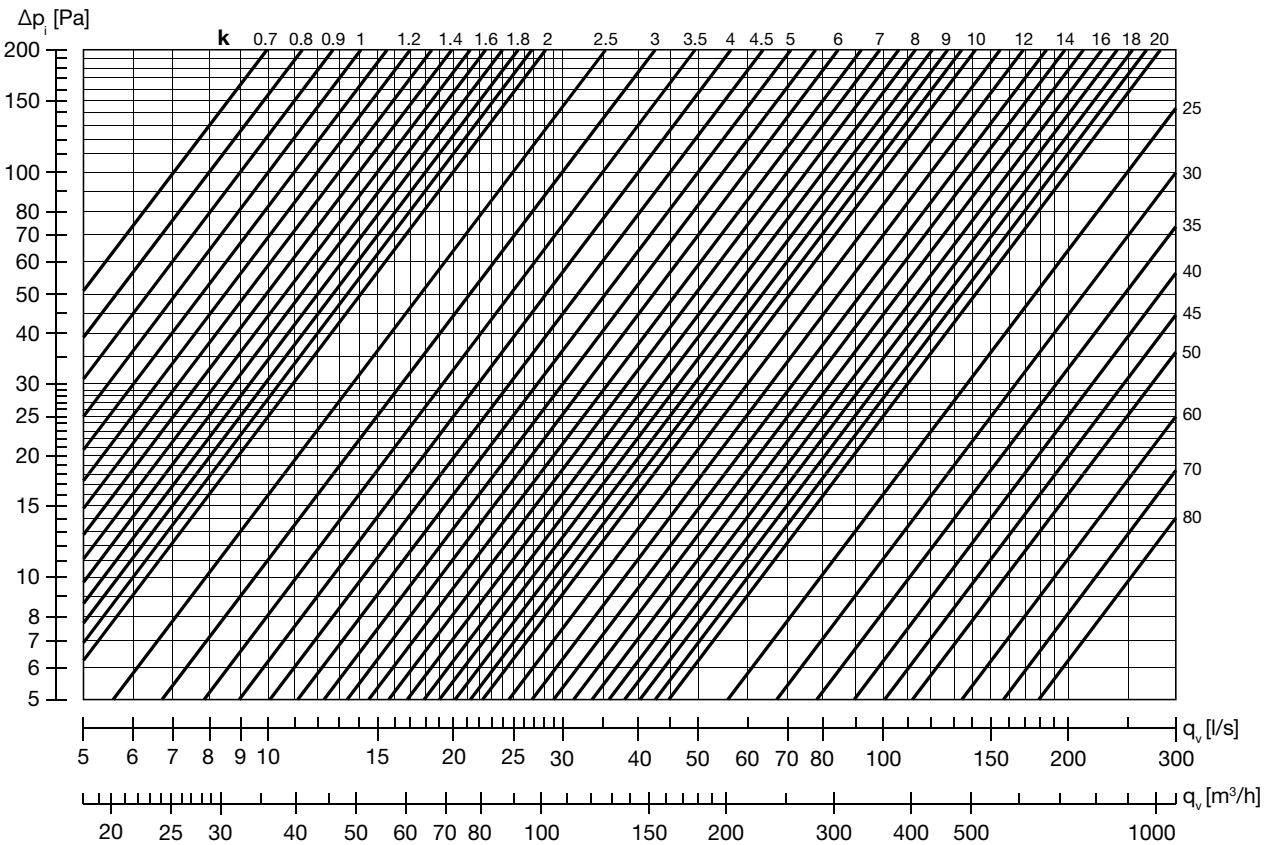
K-factor scale
 K-faktor skalaen
 K-faktorskalan
 k-arvoasteikon käyttö
 K-Wert Skala
 Scala del fattore k
 Coefficient k



① Δp_i

② $k = 15,5$

③ $q_v = k \times \sqrt{\Delta p_i}$
 $\Delta p_i = (q_v / k)^2$
 $q_v [\text{m}^3/\text{h}] = q_v [\text{l/s}] \times 3,6$





Most of us spend the majority of our time indoors. Indoor climate is crucial to how we feel, how productive we are and if we stay healthy.

We at Lindab have therefore made it our most important objective to contribute to an indoor climate that improves people's lives. We do this by developing energy-efficient ventilation solutions and durable building products. We also aim to contribute to a better climate for our planet by working in a way that is sustainable for both people and the environment.

[Lindab](#) | For a better climate