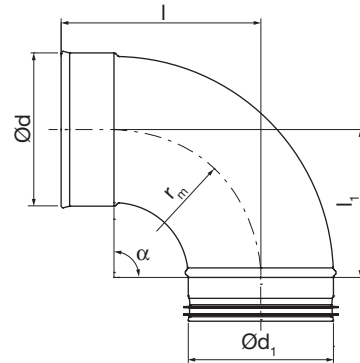


Bend with male and female end

BMU 90°



Dimensions

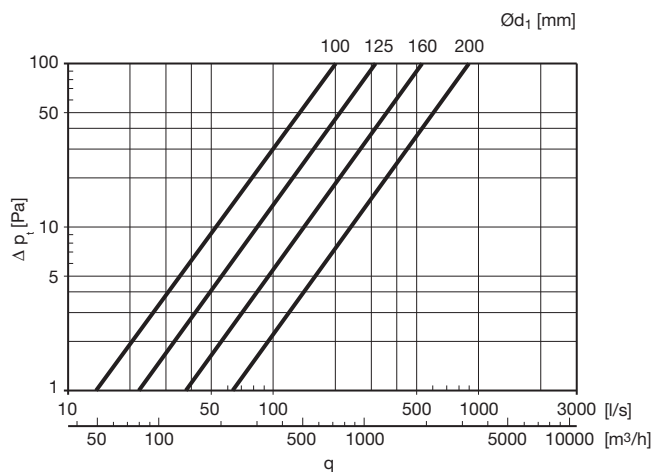


Description

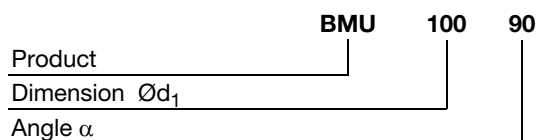
Pressed and seam welded bend with one male and one female end.
 Has Click function at the male (Safe) end – has an open turned over edge.
 Has normally not any Click function at the female end – hasn't any notches.
 Ø 100–200 can upon order be delivered with click function at the female end as well – i.e. with notches.

Ød ₁ nom	Ød nom	l [mm]	l ₁ [mm]	m kg
100	100	141	101	0,25
125	125	168	128	0,42
160	160	200	160	0,65
200	200	243	205	1,12

Technical data



Ordering example



Bend with male and female end

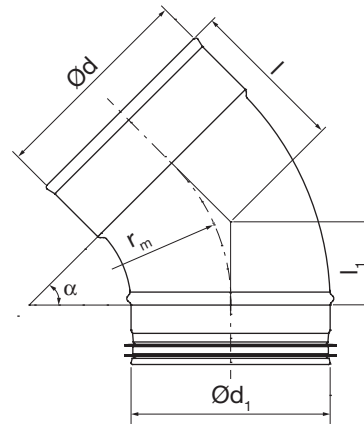
BMU 45°



Description

Pressed and seam welded bend with one male and one female end.
 Has Click function at the male (Safe) end – has an open turned over edge.
 Has normally not any Click function at the female end – hasn't any notches.
 Ø 100–200 can upon order be delivered with click function at the female end as well – i.e. with notches.

Dimensions



Ød ₁ nom	Ød nom	l [mm]	l ₁ [mm]	m kg
100	100	85	35	0,20
125	125	93	44	0,28
160	160	110	58	0,45
200	200	125	77	0,80

Technical data

