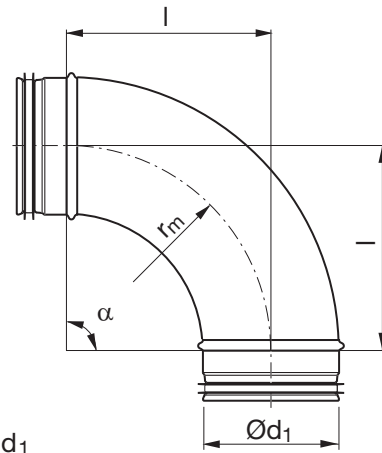


Bend – long

BSU 90°



Dimensions

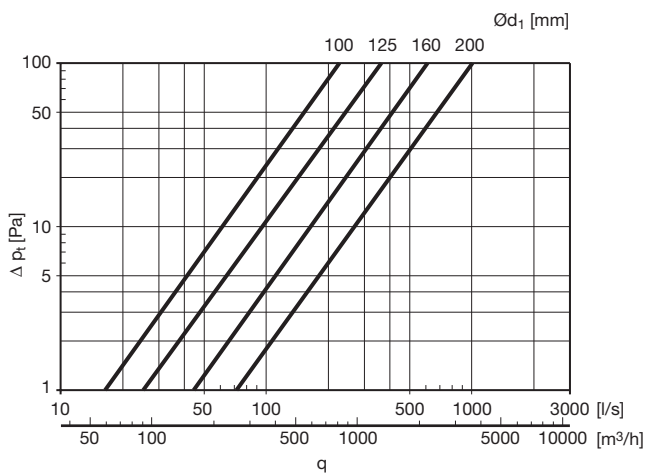


$r_m \approx 1,5 \cdot d_1$

Description

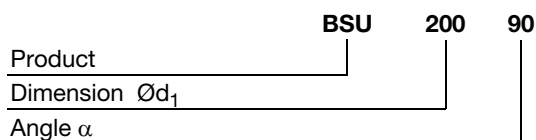
Pressed and seam welded bend.

Technical data



$\varnothing d_1$ nom	l [mm]	m [kg]
100	150	0,50
125	190	0,79
150	225	0,95
160	240	1,14
180	270	1,50
200	300	1,55

Ordering example



Bend – long

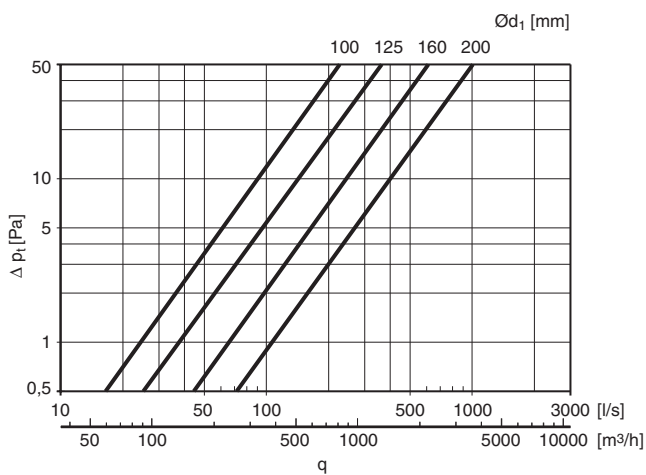
BSU 45°



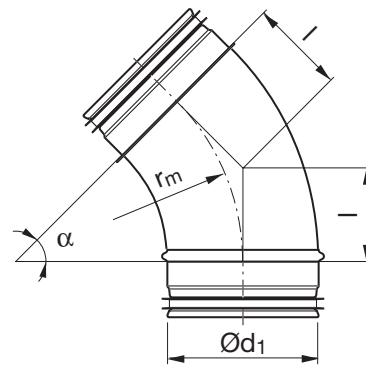
Description

Pressed and seam welded bend.

Technical data



Dimensions



$$r_m \approx 1,5 \cdot d_1$$

$\text{Ø}d_1$ nom	l [mm]	m [kg]
100	62	0,26
125	79	0,41
150	93	0,49
160	100	0,59
180	112	0,77
200	124	0,82