

Flange in halves

FLH



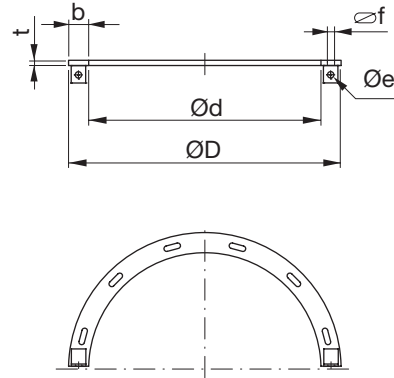
Description

Heavy flange in halves made from flat bar which then is hot dip galvanised.

The halves are sold in pairs and can be joined together with two bolts corresponding to the hole $\varnothing e$.

It suits both spirally swaged and lengthways swaged ducts. Oval bolt holes facilitate assembly.

Dimensions



Ordering example

Product	FLH	200
Dimension $\varnothing d$		

Flange in halves

FLH

Dimensions

FL GALV

Ød			ØD		Øe [mm]	f [mm]	Bolts to DIN 601 (per 2 halves)			b × t [mm]	m [kg]
nom [mm]	real [mm]	tolerance [mm]	real [mm]	tolerance [mm]			quantity pcs	dim	L [mm]		
80	82,5		108		9		4		16	25 × 3	
100	102	+1,0	129								
112	114	-0,0	141								
125	127		155								
140	142		176	±1,0	11	7,0 × 16	6	M6	20	30 × 4	
150	152		184								
160	162		194								
180	182		213								
200	203		235								
224	227		259								
250	253		286								
280	283	+1,5 -0,0	322		11	9,5 × 20	8	M8	20	35 × 5	
300	303		341								
315	318		356								
350	353		389								
355	358		395								
400	404		438	±1,5	11	11,5 × 24	16	M10	25	40 × 5	
450	454		487								
500	504		541								
560	564		605								
600	604		644								
630	634		674								
650	654		690								
710	714		751								
750	754	+2,0 -0,0	800		11	11,5 × 24	24	M10	25	50 × 6	
800	804		837								
850	854		900								
900	904		934								
1000	1005		1043								
1120	1125		1174								
1250	1255	1311									
1400	1407	1465									
1500	1507		1565								
1600	1607		1665								
1800	1807		1865								
2000	2007		2065								