

# SR Cutter

# SRCS2



## Description

Working bench/platform for cutting circular ducts of diameters Ø 80–315 and lengths 200–3000 mm.

The bench is CE approved.

The bench is equipped with:

- wheels – to very easily move the bench to the working spot where you momentarily are,
- foldable legs and a foldable knife arm – to fold the bench to a very compact format,
- adjustable feet – to becomes more stable on uneven surfaces,
- a handle – to offer a good grip when folding and unfolding the bench,
- scale on telescopic arm – to set the wanted duct length,
- rollers – to rotate the duct,
- a knife – to make a designed start cutting hole for the shears,
- an arm – to guide the shears.

Spare parts are available.

## Technical data

<i>Folded</i>	
Length	1 645 mm
Width	470 mm
Height	350 mm
<i>Erected</i>	
Length	1 880 mm
Length (with extended telescope arm)	3 140 mm
Width	630 mm
Height	1 230 mm
Working height	820 mm
Maximum load	75 kg
Weight	23 kg

## Note

The bench is delivered without any:

- Shears – to cut the duct,
- Needle cut pliers – to cut the needle,
- Click pliers – to make the notches for the Click system,
- Click pliers kit – to support the click pliers.

These tools, if wanted, have to be ordered separately.

In order to ...		
cut a duct	cut a duct and cut the needle	cut a duct and cut the needle and make Click notches
you need ...		
SR Cutter	SR Cutter	SR Cutter
+	+	+
Shears	Shears	Shears
	+	+
	Needle cut pliers	Needle cut pliers
		+
		Click pliers
		+
		Click pliers kit

## Ordering example

Product **SRCS2**

# SR Cutter

# SRCS2

## Spare parts for SR Cutter 2

CSPR2 100

**Roller**



CSPR2 250

**Roller**



CSCPS2

**Arm**



CSSAA2

**Pin**



CSKE2

**Knife blade**



CSKP2

**Knife protection**



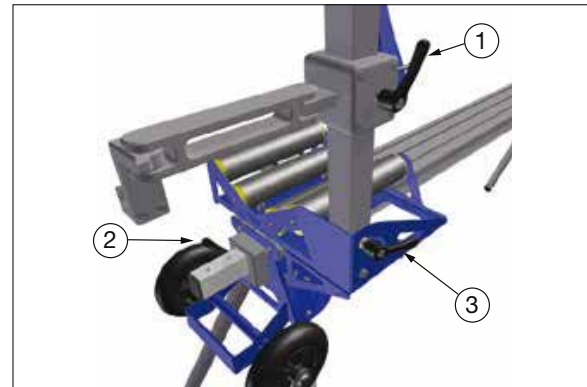
SRCSF2

**Foot**



SRCKA2

**Knife arm and tension block**



CSHSK2

**Handle (1)**



CSHBT2

**Handle (2)**



CSHBK2

**Handle (3)**



Ordering example

**Product code**      **CSHBT2**