

WH45P

Installation booklet
This is a 17 page installation booklet.
English
FIRE DAMPER
CIRCULAR SERIES WH45P - 500 Pa
Cert. N° 1812-CPR-1107 EN 15650

1MUBWH45PEN-LIND rev 20-10



www.lindab.com - Fire dampers are manufactured by MP3 Srl www.mp3-italia.it
For further information please refer to the Technical Manual.

As the manufacturer is constantly improving its products, the aesthetic or dimensional features, the technical data, the equipment and accessories indicated could be subject to variations.

OVERVIEW

■ Fire resistance classification according to EN 13501-3-2009

		EI 180 S (500 Pa)	EI 120 S (500 Pa)	EI 90 S (500 Pa)	EI 60 S (500 Pa)	EI 30 S (500 Pa)
Rigid wall	EI 90 S Installation within vertical rigid wall					
	Wall minimum thickness 100 mm Wall minimum density 500 kg/m ³ Plasterboard and rock wool 100 kg/m ³ sealing ve (i↔o)	D	-	∅ min 200 max 800	∅ min 200 max 800	∅ min 200 max 800
	EI 120 S Installation within vertical rigid wall					
Rigid wall	Wall minimum thickness 100 mm Wall minimum density 500 kg/m ³ Mortar or plaster putty sealing ve (i↔o)	W	-	∅ min 200 max 800	∅ min 200 max 800	∅ min 200 max 800
	EI 180 S Installation within vertical rigid wall					
Rigid wall	Wall minimum thickness 150 mm Wall minimum density 500 kg/m ³ Mortar sealing ve (i↔o)	W	∅ min 200 max 800	∅ min 200 max 800	∅ min 200 max 800	∅ min 200 max 800
	EI 90 S Installation within vertical light wall (plasterboard)					
Flexible wall	Wall minimum thickness 100 mm Wall rock wool density up to 100 kg/m ³ (optional) Plasterboard and rock wool 100 kg/m ³ sealing ve (i↔o)	D	-	∅ min 200 max 800	∅ min 200 max 800	∅ min 200 max 800
	EI 120 S Installation within vertical light wall (plasterboard)					
	Wall minimum thickness 100 mm Wall rock wool density up to 100 kg/m ³ (optional) Mortar or plaster putty sealing ve (i↔o)	W	-	∅ min 200 max 800	∅ min 200 max 800	∅ min 200 max 800
	EI 90 S Installation within vertical light wall (gypsum blocks wall)					
	Wall minimum thickness 70 mm Wall minimum density 995 kg/m ³ Plaster putty sealing ve (i↔o)	W	-	∅ min 200 max 800	∅ min 200 max 800	∅ min 200 max 800
Flexible wall	EI 120 S Installation within vertical light wall (gypsum blocks wall)					
	Wall minimum thickness 100 mm Wall minimum density 995 kg/m ³ Plaster putty sealing ve (i↔o)	W	-	∅ min 200 max 800	∅ min 200 max 800	∅ min 200 max 800
	EI 90 S Installation within floor					
Floor	Floor minimum thickness 100 mm Floor minimum density 650 kg/m ³ Mortar sealing ho (i↔o)	W	-	∅ min 200 max 800	∅ min 200 max 800	∅ min 200 max 800
	EI 120 S Installation within floor					
	Floor minimum thickness 150 mm Floor minimum density 650 kg/m ³ Mortar sealing ho (i↔o)	W	-	∅ min 200 max 800	∅ min 200 max 800	∅ min 200 max 800
Floor	EI 180 S Installation within floor					
	Floor minimum thickness 150 mm Floor minimum density 2200 kg/m ³ Mortar sealing ho (i↔o)	W	∅ min 200 max 800	∅ min 200 max 800	∅ min 200 max 800	∅ min 200 max 800

∅ is the minimum and maximum nominal diameter of fire dampers in mm

ve Vertical installation
ho Horizontal installation
(i↔o) Origin of fire irrelevant
Pa Pascal of depression
E Integrity
I Thermal insulation
S Smoke seal
W Wet method sealing
D Dry method sealing
Cert. N° 1812-CPR-1107 EN 15650

■ Fire Batt (Weichschott) sealings

		EI 120 S (300 Pa)	EI 90 S (300 Pa)	EI 60 S (300 Pa)	EI 30 S (300 Pa)
EI 120 S Installation within vertical rigid wall with Fire Batt (Weichschott) sealing					
Rigid wall	Wall minimum thickness 100 mm				
	Wall rock wool minimum density 500 kg/m ³				
	Rock wool 140 kg/m ³ and endothermic varnish sealing ve (↔→o)	W	∅ min 200 max 800	∅ min 200 max 800	∅ min 200 max 800
	Minimum distance allowed between 2 dampers		200 mm	50 mm	50 mm
EI 120 S Installation within vertical light wall (plasterboard) with Fire Batt (Weichschott) sealing					
Flexible wall	Wall minimum thickness 100 mm				
	Wall rock wool density up to 100 kg/m ³ (optional)				
	Rock wool density 140 kg/m ³ and endothermic varnish sealing ve (↔→o)	W	∅ min 200 max 800	∅ min 200 max 800	∅ min 200 max 800
	Minimum distance allowed between 2 dampers		200 mm	50 mm	50 mm
EI 120 S Installation within vertical light wall (gypsum blocks wall) with Fire Batt (Weichschott) sealing					
Flexible wall	Wall minimum thickness 100 mm				
	Wall minimum density 995 kg/m ³				
	Rock wool 140 kg/m ³ and endothermic varnish sealing ve (↔→o)	W	∅ min 200 max 800	∅ min 200 max 800	∅ min 200 max 800
	Minimum distance allowed between 2 dampers		200 mm	50 mm	50 mm
EI 90 S Installation within floor and Fire Batt (Weichschott) sealing					
Floor	Floor minimum thickness 150 mm				
	Floor minimum density 650 kg/m ³				
	Rock wool 140 kg/m ³ and endothermic varnish sealing ho (↔→o)	W	-	∅ min 200 max 800	∅ min 200 max 800
	Minimum distance allowed between 2 dampers		-	200 mm	200 mm

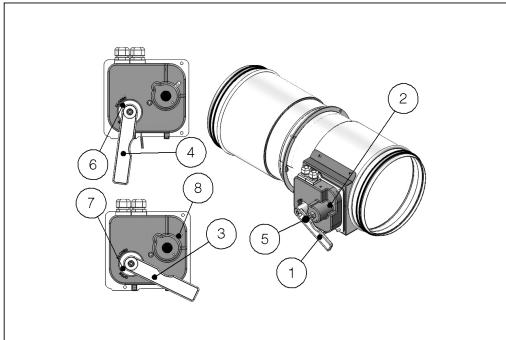
∅ is the minimum and maximum nominal diameter of fire dampers in mm

ve Vertical installation
ho Horizontal installation
(↔→o) Origin of fire irrelevant
Pa Pascal of depression
E Integrity
I Thermal insulation
S Smoke seal
W Wet method sealing
D Dry method sealing
Cert. N° 1812-CPR-1107 EN 15650

■ Mechanism type

■ Manual / Manual with magnet

1. Manual opening lever
2. Protection box
3. Lever position when the blade is open
4. Lever position when the blade is closed
5. Magnet knob (for magnetic version)
6. Closed blade indicator
7. Open blade indicator
8. Manual closing button



Blade closing mode

Automatic closing with thermal fuse.

The control mechanism has a thermosensitive element that automatically closes the blade when the temperature in the duct exceeds 70°C (or 95°C for the fire damper with 95°C thermal fuse).

It is possible to close the damper by pressing the indicated button. If the manual mechanism is equipped with electromagnet it is possible to remotely close the fire damper.

The manual command mechanism with magnet is equipped with an electromagnet which, in case power is interrupted (interruption magnet version) or when power is supplied (input magnet version), commands the closing of the damper.

Blade opening mode

Make sure that the damper is open before the ventilation system start-up, otherwise there is a risk of product malfunction.

In case of closed damper by pressing the closing button or remotely by electromagnet (magnetic version), it is possible to manually open the fire damper blade by rotating the lever anticlockwise.

For power supply interruption electromagnet, provide power supply and pull the magnet knob before opening the fire damper.

In case of closed damper as a result of the action of the thermosensitive element, it is possible to manually reopen the damper by rotating the lever counterclockwise once the element has been replaced.

Position indication microswitches

On request, the fire damper can be supplied with position microswitches (SA/SC/S2 optional) that signal the blade position (open or closed). Refer to Electrical connections paragraph for more details.

Closing by remote control

With power supply input or interruption magnet (WH45PM version only).

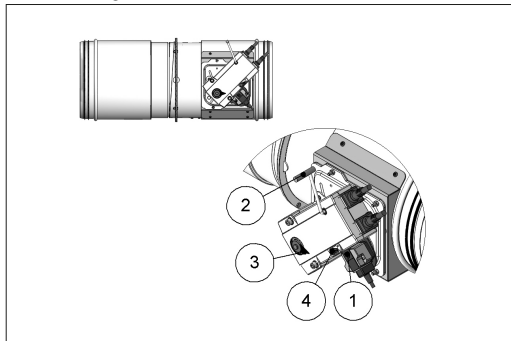
Temperature calibration of thermosensitive element for automatic damper closing

70 °C±7 °C (Standard)

95 °C±9 °C (On request).

■ Belimo motorized version

1. Manual closing switch
2. Manual opening lever
3. Position indicator
4. Blade locking lever



Blade closing mode

Automatic closing with thermal fuse.

The control mechanism has a thermosensitive element that automatically closes the blade when the temperature in the duct or in the room exceeds 72°C (or 95°C for the 95°C version).

To close the damper when the motor is connected, press the switch on the temperature sensor or cut off the power supply.

Blade opening mode

Make sure that the damper is open before the ventilation system start-up, otherwise there is a risk of product malfunction.

To open the damper with the electric motor driven actuator, provide power supply to the motor. Refer to the section Electrical connections for further information.

To manually open the damper, use the handle supplied and carefully rotate clockwise to the 90° indicator. To hold the damper in open position operate on the lever indicated in figure.

For VGB/DGB versions to hold the damper in open position, carefully rotate the handle counterclockwise.

During the manual opening of the damper, power must not be supplied to the motor.

Position indication microswitches

The motorized versions are supplied with two microswitches to show the blade's position (open or closed). Refer to the section Electrical connections for further information.

Closing by remote control

If power to the motor is cut off, the blade will close.

Temperature calibration of thermosensitive element for automatic damper closing

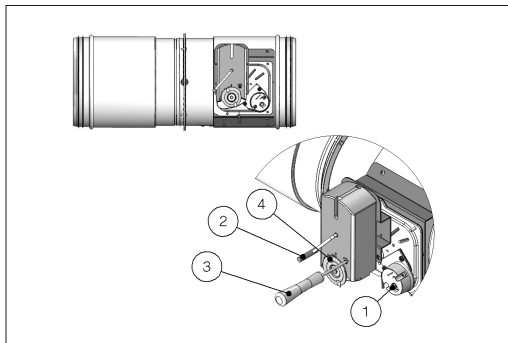
72 °C±7 °C (Standard)

95 °C±9 °C (On request).

95 °C±9 °C (On request).

■ Siemens motorized version

1. Manual closing switch
2. Manual opening lever
3. Screwdriver
4. Position indicator



Blade closing mode

Automatic closing with thermal fuse.

The control mechanism has a thermosensitive element that automatically closes the blade when the temperature in the duct or in the room exceeds 72°C (or 95°C for the 95°C version).

To close the damper when the motor is connected, press the switch on the temperature sensor or cut off the power supply.

Blade opening mode

Make sure that the damper is open before the ventilation system start-up, otherwise there is a risk of product malfunction.

To open the damper with the electric motor driven actuator, provide power supply to the motor. Refer to the section Electrical connections for further information.

To manually open the damper, use the handle supplied and carefully rotate counterclockwise to the 90° indicator. To hold the damper in open position, rotate the screw anticlockwise as shown in the picture.

During the manual opening of the damper, power must not be supplied to the motor.

Position indication microswitches

The motorized versions are supplied with two microswitches to show the blade's position (open or closed). Refer to the section Electrical connections for further information.

Closing by remote control

If power to the motor is cut off, the blade will close.

Temperature calibration of thermosensitive element for automatic damper closing

72 °C±7 °C (Standard)

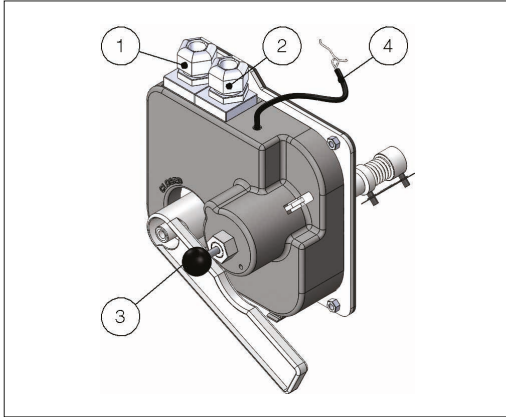
95 °C±9 °C (On request).

ELECTRICAL CONNECTIONS

■ Electrical wiring

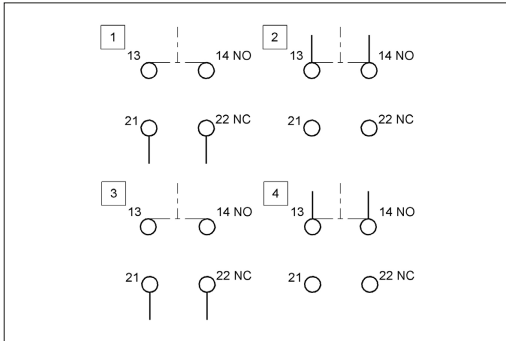
Electrical connections must be done by qualified and trained people. Switch off the power supply before starting any work on the electric elements. Never switch on the power supply during electrical connections.

1. SC (closed damper) microswitch - on request
2. SA (open damper) microswitch - on request
3. Magnet - on request
4. Magnet cables for wiring



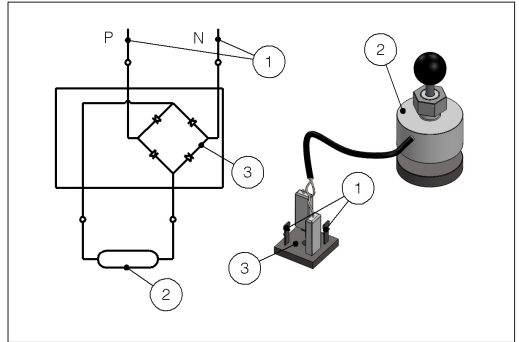
■ SC/SA microswitches position

1. "NC" contact of SC microswitch. When the fire blade is closed the circuit is open.
2. "NO" contact of SC microswitch. When the fire blade is closed the circuit is closed.
3. "NC" contact of SA microswitch. When the fire blade is open the circuit is open.
4. "NO" contact of SA microswitch. When the fire blade is open the circuit is closed.

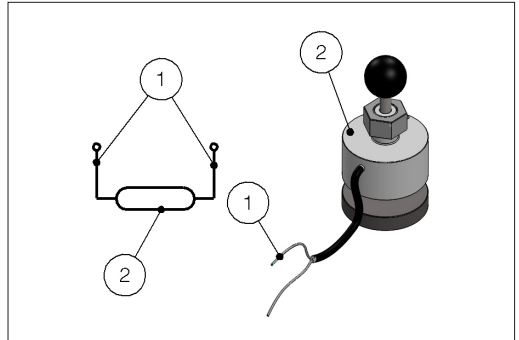


■ 230 V AC magnet wiring

1. 230 V AC power supply
2. Magnet
3. Rectifier



■ 24 V DC magnet wiring

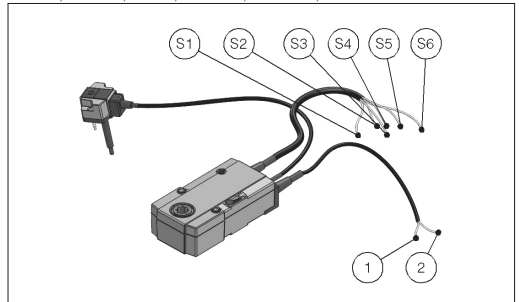


1. 24 V DC power supply
2. Magnet

■ WH45P - Motorized version

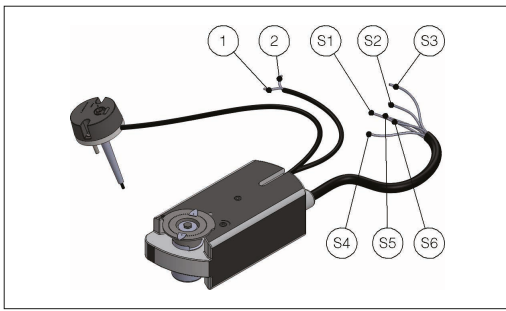
Belimo servomotor:

BFL24T, BFN24T, BF24T, BFL230T, BFN230T, BF230T.



Siemens servomotor:

GRA126, GNA126, GGA126.

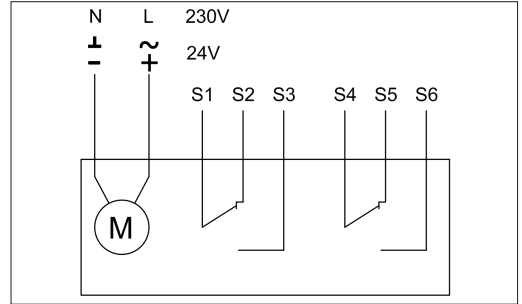
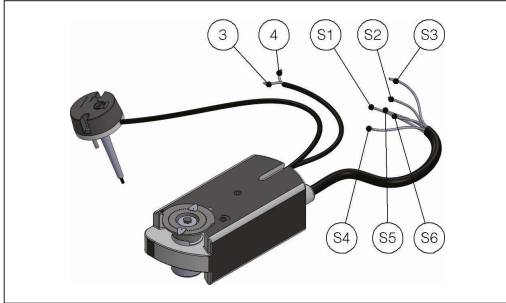


Motorized fire dampers electrical wiring

- To connect the dampers to the power supply, proceed as follows:
- Check that the voltage and electrical frequency are equivalent to those of the motor of the servomotor (check the motor's information label);
 - Make the connections as shown in the below diagram.

- 1 Negative (DC) or neutral (AC)
- 2 Positive (DC) or phase (AC)
- 3 Phase
- 4 Neutral
- S1 Common closed damper microswitch
- S2 Normally closed, closed damper microswitch
- S3 Normally opened, closed damper microswitch
- S4 Common open damper microswitch
- S5 Normally closed, open damper microswitch
- S6 Normally opened, open damper microswitch

Siemens servomotor: GRA326, GNA326, GGA326.

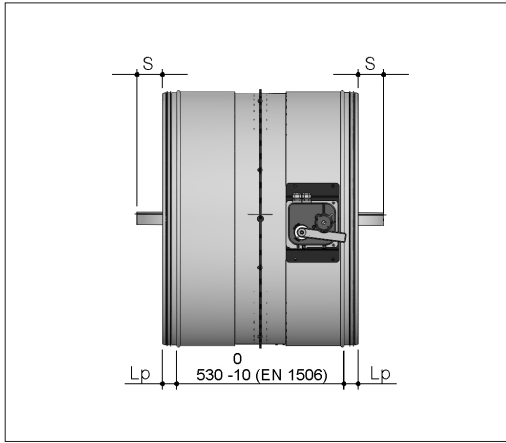


Electrical specifications

	Manual	Manual with magnet Belimo motorized version Siemens motorized version
Voltage and power consumption		Power interruption magnet: P=4,5 W (24V DC or 230V AC version)
		Power input magnet: P=4,5 W (24V DC or 230V AC version)
		Motor 24V AC/DC (WH45PVMB): Belimo BFN24T Opening: 4 W In stand-by: 1,4 W
		Motor 230V AC (WH45PDMB): Belimo BFN230T Opening: 5 W In stand-by: 2,1 W
	24V AC/DC (WH45PVGB) motor: Belimo BF24T Opening: 7 W In stand-by: 2 W	
	230V AC (WH45PDGB) Motor: Belimo BF230T Opening: 8 W In stand-by: 3 W	
	Motor 24V AC/DC (WH45PVPS) / (WH45PVSS): Siemens GNA126 / GRA126 Opening: 3,5 W In stand-by: 2 W	
	Motor 230V AC (WH45PDPS) / (WH45PDSS): Siemens GNA326 / GRA326 Opening: 4,5 W In stand-by: 3,5 W	
	24V AC/DC motor (WH45PVGS): Siemens GGA126 Opening: 6 W In stand-by: 1,5 W	
	230V AC motor (WH45PDGS): Siemens GGA326 Opening: 6 W In stand-by: 2,5 W	
Microswitches position contacts	Manual control version: 15 - 400V 1,8 A	Motorized version: Siemens: AC 24V...230V / 6 (2) A Belimo: DC.SV...AC 250V / 1mA...3A (0,5A)
Blade closing time	Spring: 1 s	motor: < 30 s
Protection degree	IP42	IP42 MAGNETIC VERSION IP54 MOTORIZED VERSION

TECHNICAL DATA

Dimension



Ø	mm	200	250	300	315	355	400
S blade exposition	mm	0	0	0	0	0	0
Lp	mm	45	45	45	45	45	45
Ø	mm	450	500	560	600	630	800
S blade exposition	mm	0	0	0	0	0	35
Lp	mm	45	45	45	45	45	45

Lp Overlap length between fire damper and duct

MAINTENANCE AND INSPECTIONS

Fire dampers and control mechanisms do not require routine maintenance.

Extraordinary maintenance (repairs) and periodic inspection operations are the responsibility of the ventilation system operator.

It is recommended to keep enough space (about 200mm) for using or replacing the control mechanism or for maintenance. Also provide the necessary space to remove the ventilation duct from the damper whenever necessary.

It is recommended to provide inspection hatches on both sides of the ducts connected to the fire damper.

The implementation of a periodic inspection plan allows to guarantee the efficiency and functionality of the fire dampers for the fire safety of the building.

■ Periodic inspection and cleaning

Periodic inspection shall be performed in accordance with the requirements of the law or by the building regulations or other local regulations.

In the absence of specific regulations (or to their complement), in accordance with point 8.3 of the EN 1560 standard, it is recommended to carry out the following control activities at intervals of no more than 12 months:

- Check the servomotor electrical wiring for damage (where applicable);
- Check end-switch wiring for damage (where applicable);
- Check damper cleanliness and clean where necessary;
- Check the condition of blades and seals, rectify and report where necessary;

- Check the correct opening and closing of the fire damper by manual operation according to the instructions in the technical manual of the fire damper;
- Check the opening and closing operation of the damper controlled by the fire alarm system (if present);
- Check the operation of the end switches in open and closed state, adjust and report if necessary;
- Confirm that the damper fulfils its function as part of the control system (where necessary);
- Check that the damper is left in its normal operating position, which usually corresponds to the open position.

■ Repair

For safety reasons, repair activities involving fire-fighting components must be carried out only by qualified personnel.

Only original spare parts supplied by the fire damper manufacturer must be used.

A functional test must be performed after each repair.

At the end of the inspection, cleaning or repair operations, check that the fire damper is in the normal operating position.

Keep records of all inspections, repair activities, any problems encountered and their resolution.

This practice, even when not mandatory, is very useful in practice.

■ Disposal

Disposal in case of destruction must be carried out in accordance with national legislation. For electrical and electronic parts also refer to EU Directive 2011/65.

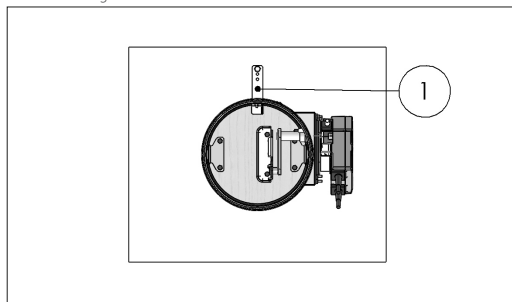
INSTALLATION

The sizes shown are in mm.

It is recommended to perform a functional test before installation to exclude possible damage during transport and another test immediately after installation to exclude accidental damage to the product and interference with mounting components.

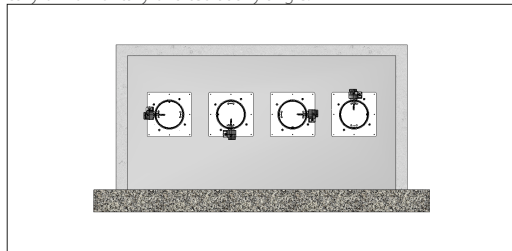
■ Positioning brackets before fixing

1. Positioning brackets



■ Blade rotation axis positioning

The fire damper can be installed with the blade axis positioned vertically or horizontally or tilted at any angle.



■ Installation of flexible connectors in order to balance out the ventilation ducts expansion

ATTENTION: the following indications must be considered binding only if legislation or local regulation where the fire dampers are installed require the use of flexible connectors.

Flexible connectors compensate any duct thermal expansion and wall bending in case of fire.

Flexible connectors are used to limit fire damper stresses due to external forces in case of fire and to preserve fire resistance class.

In general it is always appropriate the use of flexible connectors for the followings installations:

- light walls;
- Plasterboard and rock wool or Fire Batt (Weichschott) sealing;
- Applique fixing system.

Flexible connector must be normal flammability and in case of fire the grounding bonding should disconnet to guarantee the complete separation between fire damper and connected air duct.

When flexible connectors made of conductive material (e.g. aluminum) are used, no additional grounding bonding is required.

Despite flexible connector installation, the fire damper must be installed in the construction support so that its weight does not affect damper's installation position both during normal operation and in case of fire.

It is recommended not to compress flexible connectors in the installation phase.

Flexible connector must be at least 100mm long and in order that possible duct thermal expansions are balanced.

Take care that the flexible connector does not interfere with opening / closing movement of the blade.

■ Transfer Application (application not connected to air ducts on one or both sides)

Note: For this application please refer to national legislation to verify if any specific obligation is required.

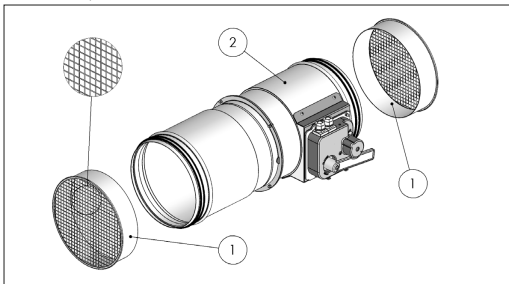
Following tests performed as per EN 1366-2, section 6.3.6 Standard, it is possible to install the fire damper free from air duct from one or both sides.

• Attention: fire resistance classification for transfer application is conform to section Fire resistance classification according to EN 13501-3-2009 limited to EI 120S if the ducted classification is higher.

- End cap with mesh shall be mounted on the side not connected to air duct.
- End cap with mesh is made from galvanized steel sheet.
- End cap with mesh is supplied not installed on the fire damper.

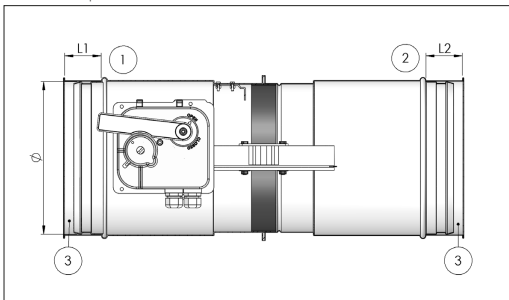
■ Components (Transfer Application)

1. End cap with mesh (to fix to fire damper with steel screws)
2. Fire damper



■ Technical data (Transfer Application)

1. Mechanism side
 2. Mechanism opposite side
 3. End cap with mesh
- L1 End cap length mechanism side
L2 End cap length mechanism opposite side
Ø Fire damper nominal diameter



Length of end cap with mesh depending on fire damper diameter \emptyset .

\emptyset	L1	L2
200	60	60
250	60	60
300	60	60
315	60	60
355	60	60
400	80	80
450	80	80
500	80	80
560	80	80
600	80	80
630	80	80
710	120	120
800	170	170

\emptyset Fire damper nominal diameter
 L1 End cap length mechanism side
 L2 End cap length mechanism opposite side

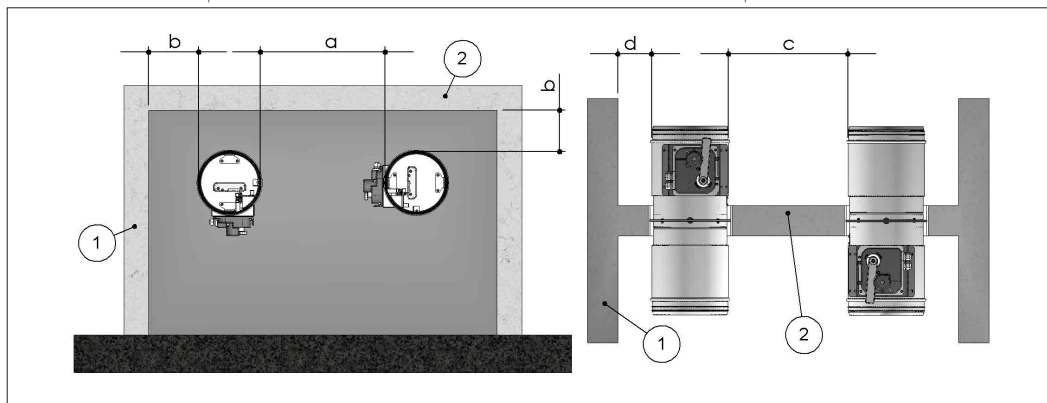
■ Minimum distances

It is recommended to keep enough space (about 200mm) for using or replacing the control mechanism or for maintenance. Also provide the necessary space to remove the ventilation duct from the damper whenever necessary.

In accordance with Articles 7 and 13 of EN 1366-2 respect the minimum distances indicated below.

Minimum distances

1. Side vertical wall
2. Floor
- a. Distance between fire dampers installed within vertical wall
- b. Distance between fire damper and vertical lateral wall / floor
- c. Distance between fire dampers installed within floor
- d. Distance between fire damper and vertical lateral wall



		Fire dampers installed within vertical wall		Fire dampers installed within floor	
Installation		a [mm]	b [mm]	c [mm]	d [mm]
Rigid wall	EI 180 S Installation within vertical rigid wall Mortar sealing	50	75	-	-
	EI 120 S Installation within vertical rigid wall Mortar or plaster putty sealing	50	75	-	-
	EI 90 S Installation within vertical rigid wall Plasterboard and rock wool 100 kg/m ³ sealing	50	75	-	-
Flexible wall	EI 120 S Installation within vertical light wall (plasterboard) Mortar or plaster putty sealing	50	75	-	-
	EI 90 S Installation within vertical light wall (plasterboard) Plasterboard and rock wool 100 kg/m ³ sealing	50	75	-	-
	EI 120 S Installation within vertical light wall (gypsum blocks wall) Plaster putty sealing	50	75	-	-
	EI 90 S Installation within vertical light wall (gypsum blocks wall) Plaster putty sealing	50	75	-	-
Floor	EI 180 S Installation within floor Mortar sealing	-	-	50	75
	EI 120 S Installation within floor Mortar sealing	-	-	50	75
	EI 90 S Installation within floor Mortar sealing	-	-	50	75

■ Fire Batt (Weichschott) sealings

		Fire dampers installed within vertical wall		Fire dampers installed within floor	
Installation		a [mm]	b [mm]	c [mm]	d [mm]
Rigid wall	EI 120 S Installation within vertical rigid wall with Fire Batt (Weichschott) sealing Rock wool 140 kg/m ³ and endothermic varnish sealing	50 *	50	-	-
Flexible wall	EI 120 S Installation within vertical light wall (plasterboard) with Fire Batt (Weichschott) sealing Rock wool 140 kg/m ³ and endothermic varnish sealing	50 *	50	-	-
	EI 120 S Installation within vertical light wall (gypsum blocks wall) with Fire Batt (Weichschott) sealing Rock wool 140 kg/m ³ and endothermic varnish sealing	50 *	50	-	-
Floor	EI 90 S Installation within floor and Fire Batt (Weichschott) sealing Rock wool 140 kg/m ³ and endothermic varnish sealing	-	-	200	75

* For the distance **a** including between 50 mm and 200 mm the fire resistance class is reduced to EI 90 S

■ Construction supports characteristics

The European standard for fire dampers foresees a precise correlation between the wall/floor characteristics and the fire resistance class obtained, as well as the correlation between wall/floor used for the test and wall/floor used for the actual installation.

The test results obtained on a type of wall/floor are valid also for walls/floor of the same type but with greater thickness and/or density than those used in the test.

For plasterboard walls, the test results are also valid for walls with a greater number of plasterboard layers on each side.

As a result, the indicated thickness and density characteristics are to be considered as minimum values.

The wall/floor in which the fire dampers are installed must be fire class certified according to the standards foreseen for the structure.

■ Rigid walls

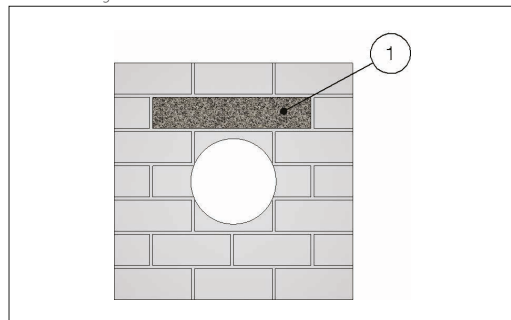
Can be made with aerated concrete blocks, poured concrete, concrete panels, perforated cell elements in concrete or brick in accordance with the following characteristics:

- minimum thickness 100 mm;
- minimum density 500 kg/m³.

The use of a reinforcing beam above the opening is recommended for walls made from concrete blocks, bricks or in concrete cell elements.

For walls built with perforated elements, it is also recommended that the area of the opening be made from full elements (for example aerated concrete blocks) to guarantee the correct adhesion of the mortar.

1. Reinforcing beam



■ Light plasterboard vertical walls

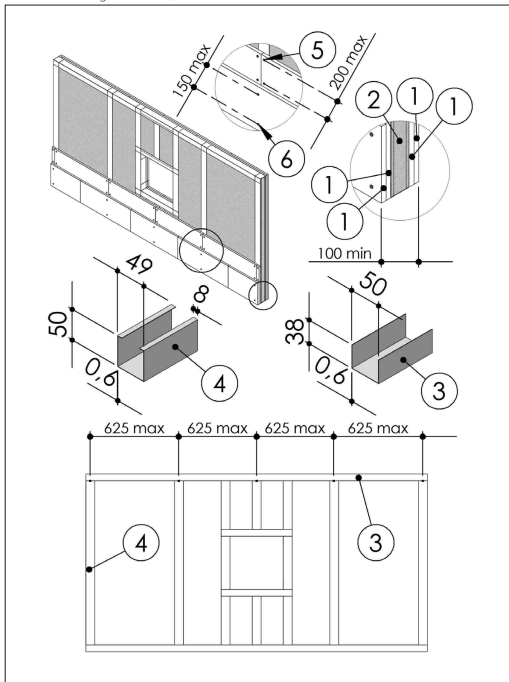
During testing, light plasterboard walls have been used with the following characteristics:

- U-shaped horizontal metal frame (50 mm) and C-shaped vertical frame (49 mm) made from 0,6 mm thick sheet metal;
- Vertical profiles placed with a maximum spacing of 625 mm between each other;
- Filling made of rock wool with density up to 100 kg/m³ (optional);
- Each side is made from two plasterboard layers 12,5 mm thick, unaligned to avoid alignment between the joints of the layer above and below.

The following indications are given for the installation walls:

- metal profiles minimum width: 49 mm;
- metal profiles minimum thickness: 0,6 mm;
- vertical profiles placed with a maximum spacing of 625 mm between each other;
- vertical profile fixing with selfthreading screws or by clinching to the bottom horizontal profile and insertion in the top horizontal profile;
- profiles fixed using self-threading screws or by clinching on every intersection.
- installation of a frame around the damper with base and height where shown in the installation instructions;
- Filling made of rock wool with density up to 100 kg/m³ (optional);
- each side is made from two plasterboard layers 12,5 mm minimum thick, unaligned to avoid alignment between the joints of the layer above and below.
- the front plasterboards layers are fixed using long enough screws to pass through the lower plasterboard and attach to the steel profile underneath.

1. Plasterboard thickness 12,5 mm
2. Rock wool density up to 100 kg/m³ (optional)
3. Horizontal U-shaped profile
4. Vertical C-shaped profile
5. Self-drilling screw Ø 3,5 X 25 mm
6. Self-drilling screw Ø 3,5 X 35 mm



■ Light plasterboard vertical walls with steel reinforcement

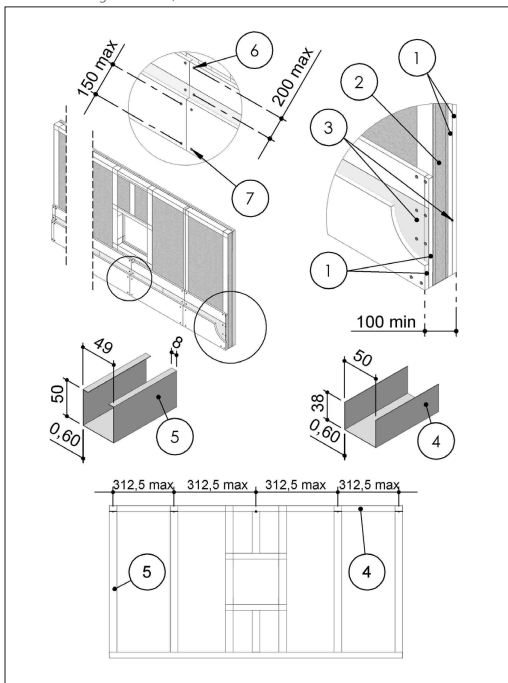
During testing, light plasterboard walls have been used with the following characteristics:

- U-shaped horizontal metal frame (50 mm) and C-shaped vertical frame (49 mm) made from 0,6 mm thick sheet metal;
- Vertical profiles placed with a maximum spacing of 312,5 mm between each other;
- reinforcement sheet;
- Filling made of rock wool with density up to 100 kg/m³ (optional);
- Each side is made from two plasterboard layers 12,5 mm thick, unaligned to avoid alignment between the joints of the layer above and below.

The following indications are given for the installation walls:

- metal profiles minimum width: 49 mm;
- metal profiles minimum thickness: 0,6 mm;
- vertical profiles placed with a maximum spacing of 312,5mm between each other;
- vertical profile fixing with selfthreading screws or by clinching to the bottom horizontal profile and insertion in the top horizontal profile;
- profiles fixed using self-threading screws or by clinching on every intersection.
- installation of a frame around the damper with base and height where shown in the installation instructions;
- Filling made of rock wool with density up to 100 kg/m³ (optional);
- each side is made from two plasterboard layers 12,5 mm minimum thick, unaligned to avoid alignment between the joints of the layer above and below.
- the front plasterboards layers are fixed using long enough screws to pass through the lower plasterboard and attach to the steel profile underneath.

1. Plasterboard thickness 12,5 mm
2. Rock wool density up to 100 kg/m³ (optional)
3. Reinforcement sheet
4. Horizontal U-shaped profile
5. Vertical C-shaped profile
6. Self-drilling screw Ø 3,5 X 25 mm
7. Self-drilling screw Ø 3,5 X 35 mm



■ Gypsum blocks light walls

Gypsum blocks wall can be built with special solid gypsum blocks with interlocking shaped edges as indicated in the supplier's instructions and according to the following characteristics:

- minimum thickness 70 or 100 mm according to the type and resistance class required;
- minimum density 995 kg/m³.

It is generally advisable to first build the wall and then provide the opening for the fire damper.

■ Installations within vertical rigid wall

Refer to the section Construction supports characteristics for further information.

Comply with the minimum distances indicated on section Minimum distances.

Before and after installation please perform a functional test. Refer to section Mechanism type for further information.

■ Wall opening

A opening must be provided in the wall as indicated in the table and in the drawing

■ Aerated concrete floors

Aerated concrete floors can be built during installation or with pre-formed slabs with interlocking shaped edges according to the following characteristics:

- minimum thickness 100 or 150 mm according to the type and resistance class required;
- minimum density 650 kg/m³

■ Poured concrete floors

Poured concrete floors can be built during installation or with pre-formed slabs with interlocking shaped edges according to the following characteristics:

- minimum thickness 100 or 150 mm according to the resistance class required;
- minimum density 2200 kg/m³.

■ Damper positioning

Position the damper in the opening so that the side of the closing mechanism extends as indicated in the table and in the drawing. Close the blade before installing the fire damper.

■ Filling

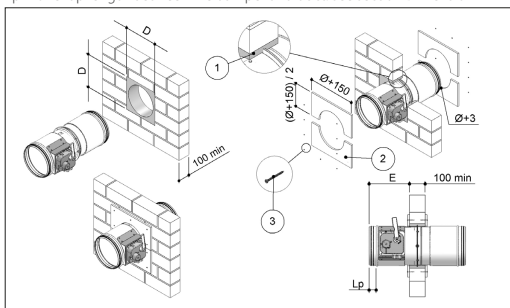
Fill the space between the wall and the damper as indicated in the table and in the drawing.

Sealing with concrete is not allowed.

	Fire resistance classification	"D" hole size [mm]	Damper protrusion from the wall "E" [mm]	Wall minimum thickness "S" [mm]	Sealing
EI 90 S Installation within vertical rigid wall					
Wall minimum density 500 kg/m ³	EI 90 S (500 Pa)	Da (Ø + 35) x (Ø + 35) a (B+50) x (H+50) (square hole)	215 + Lp	100	Rock wool 100 kg/m ³ with infill plasterboard (thickness 12.5 mm)
EI 120 S Installation within vertical rigid wall					
Wall minimum density 500 kg/m ³	EI 120 S (500 Pa)	From Ø + 25 to Ø + 580 (square or circular hole)	215 + Lp	100	Mortar or plaster putty sealing
EI 180 S Installation within vertical rigid wall					
Wall minimum density 500 kg/m ³	EI 180 S (500 Pa)	From Ø + 25 to Ø + 35 (square or circular hole)	190 + Lp	100	Mortar sealing

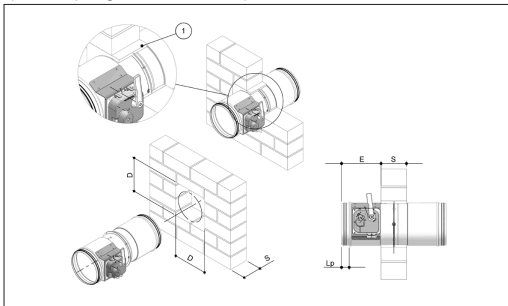
EI 90 S Installation within vertical rigid wall

1. Rock wool, 100 kg/m³
 2. Plasterboard arch infill, thickness 12,5 mm
 3. Self-drilling screw Ø 3,5 X 45 mm
- D Hole size: see table above
E Damper protrusion from the wall: see table above
Lp Overlap length between fire damper and duct: see section Dimension



EI 120 S / EI 180 S Installations within vertical rigid wall

1. Mortar M-10, EN998-2 or plaster putty
- D Hole size: see table above
S Wall minimum thickness: see table above
E Damper protrusion from the wall: see table above
Lp Overlap length between fire damper and duct: see section Dimension



■ Installations within vertical light wall (plasterboard)

Refer to the section Construction supports characteristics for further information.

Comply with the minimum distances indicated on section Minimum distances.

Before and after installation please perform a functional test. Refer to section Mechanism type for further information.

■ Damper positioning

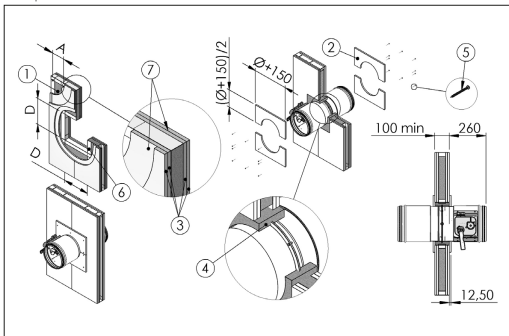
Position the damper in the opening so that the side of the closing mechanism extends as indicated in the table and in the drawing. Close the blade before installing the fire damper.

■ Filling

Fill the space between the wall and the damper as indicated in the table and in the drawing. Sealing with concrete is not allowed.

Fire resistance classification	"D" hole size [mm]	Damper protrusion from the wall "E" [mm]	Wall minimum thickness "S" [mm]	Sealing	
EI 90 S Installation within vertical light wall (plasterboard)					
Wall rock wool density up to 100 kg/m ³ (optional)	EI 90 S (500 Pa)	Da (Ø + 35) x (Ø + 35) a (B+50) x (H+50) (square hole)	215 + Lp	100	Rock wool 100 kg/m ³ with infill plasterboard (thickness 12.5 mm)
EI 120 S Installation within vertical light wall (plasterboard)					
Wall rock wool density up to 100 kg/m ³ (optional)	EI 120 S (500 Pa)	Da (Ø + 35) x (Ø + 35) to (B+580) x (H+580) (square hole)	215 + Lp	100	Mortar or plaster putty

1. Rock wool density up to 80 kg/m³ (optional)
 2. Plasterboard arch infill, thickness 12,5 mm for rock wool sealing
 3. Plasterboard thickness 12,5 mm
 4. Sealing: see table above
 5. Self-drilling screw Ø 3,5 X 45 mm
 6. Metal frame
 7. Overlap length between fire damper and duct: see section Dimension
- Lp Overlap length between fire damper and duct: see section Dimension
D Hole size: see table above
A Distance between vertical profiles: 625 mm see section Installations within vertical light wall (plasterboard) or 312,5 mm see section Light plasterboard vertical walls with steel reinforcement



■ Installation within vertical light wall (gypsum blocks wall)

Refer to the section Construction supports characteristics for further information.

Comply with the minimum distances indicated on section Minimum distances.

Before and after installation please perform a functional test. Refer to section Mechanism type for further information.

■ Wall opening

A opening must be provided in the wall as indicated in the table and in the drawing

■ Damper positioning

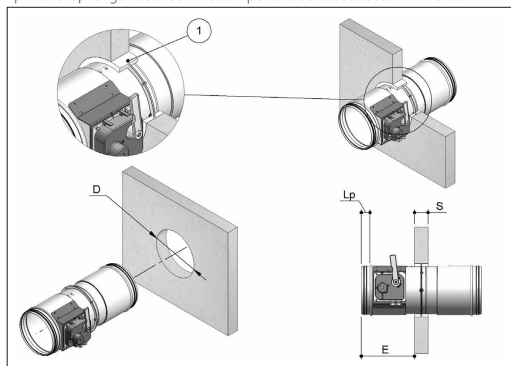
Position the damper in the opening so that the side of the closing mechanism extends as indicated in the table and in the drawing. Close the blade before installing the fire damper.

■ Filling

Fill the space between the wall and the damper as indicated in the table and in the drawing. Sealing with concrete is not allowed.

Fire resistance classification	"D" hole size [mm]	Damper protrusion from the wall "E" [mm]	Wall minimum thickness "S" [mm]	Sealing	
EI 90 S Installation within vertical light wall (gypsum blocks wall)					
Wall minimum thickness 70 mm Wall minimum density 995 kg/m ³ Plaster putty sealing ve (↔→)	EI 90 S (500 Pa)	From Ø + 25 to Ø+35 (circular hole)	230 + Lp	70	Plaster putty sealing
EI 120 S Installation within vertical light wall (gypsum blocks wall)					
Wall minimum thickness 100 mm Wall minimum density 995 kg/m ³ Plaster putty sealing ve (↔→)	EI 120 S (500 Pa)	From Ø + 25 to Ø+35 (circular hole)	215 + Lp	100	Plaster putty sealing

- 1. Plaster putty
- D Hole size: see table above
- S Wall minimum thickness: see table above
- E Damper protrusion from the wall: see table above
- Lp Overlap length between fire damper and duct: see section Dimension



■ Installations within floor

Refer to the section Construction supports characteristics for further information.

Comply with the minimum distances indicated on section Minimum distances .

Before and after installation please perform a functional test. Refer to section Mechanism type for further information .

■ Floor opening

A opening must be provided in the floor as indicated in the table and in the drawing

■ Damper positioning

Position the damper in the opening so that the side of the closing mechanism extends as indicated in the table and in the drawing. Close the blade before installing the fire damper.

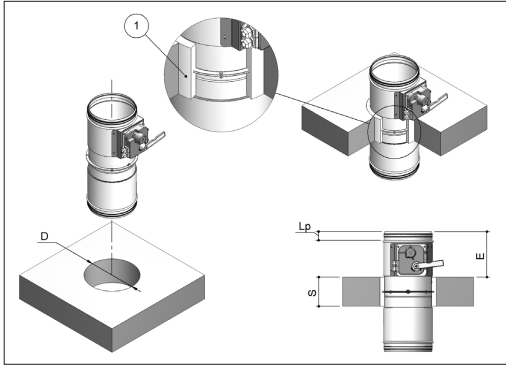
■ Filling

Fill the space between the floor and the damper as indicated in the table and in the drawing.

Sealing with concrete is not allowed.

	Fire resistance classification	"D" hole size [mm]	Damper protrusion from the floor "E" [mm]	Floor minimum thickness "S" [mm]	Sealing
EI 90 S Installation within floor					
Floor minimum density 650 kg/m ³	EI 90 S (500 Pa)	From Ø + 40 to Ø + 55 (circular hole)	215 + Lp	100	Mortar sealing
EI 120 S Installation within floor					
Floor minimum density 650 kg/m ³	EI 120 S (500 Pa)	From Ø + 40 to Ø + 55 (circular hole)	190 + Lp	150	Mortar sealing
EI 180 S Installation within floor					
Floor minimum density 2200 kg/m ³	EI 180 S (500 Pa)	From Ø + 40 to Ø + 55 (circular hole)	190 + Lp	150	Mortar sealing

- 1. Mortar M-10, EN998-2
- D Hole size: see table above
- S Floor minimum thickness: see table above
- E Damper protrusion from the floor: see table above
- Lp Overlap length between fire damper and duct: see section Dimension



■ **Installations within vertical wall with Fire Batt (Weichschott) sealing**
Refer to the section Construction supports characteristics for further information.

Comply with the minimum distances indicated on section Minimum distances.
Before and after installation please perform a functional test. Refer to section Mechanism type for further information.

■ **Wall opening**

An opening must be provided in the wall as indicated in the table and in the drawing

■ **Damper positioning**

Position the damper in the opening so that the side of the closing mechanism extends as indicated in the table and in the drawing.

Close the blade before installing the fire damper.

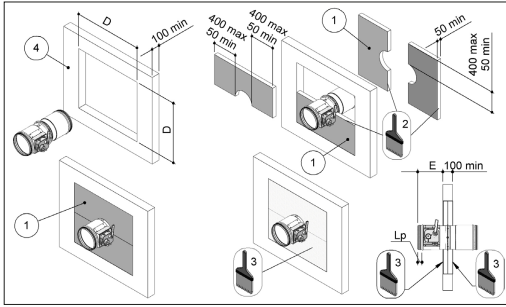
■ **Filling**

Fill the space between the damper and the wall using Fire Batt (Weichschott) sealing made from two rock wool panels with minimum thickness of 50 mm and minimum density of 140 kg/m³.

The panels must be covered on both faces of the wall with endothermic varnish type PROMASTOP E PASTE or HILTI CFS-CT (minimum thickness of 1 mm) and with an internal perimeter sealant type PROMASTOP E PASTE or HILTI CFS-S ACR (minimum thickness of 1 mm).

	Fire resistance classification	"D" hole size [mm]	Damper protrusion from the wall "E" [mm]	Wall minimum thickness "S" [mm]	Sealing	
Rigid wall	EI 120 S Installation within rigid vertical wall with Fire Batt (Weichschott) sealing					
	Wall minimum density 500 kg/m ³	EI 120 S (300 Pa)	(Ø + 800 max) x (Ø + 800 max) (rectangular hole)	215 + Lp	100	Rock wool 140 kg/m ³ and endothermic varnish sealing
Flexible wall	EI 120 S Installation within vertical light wall (plasterboard) with Fire Batt (Weichschott) sealing					
	Wall rock wool density up to 100 kg/m ³ (optional)	EI 120 S (300 Pa)	(Ø + 800 max) x (Ø + 800 max) (rectangular hole)	215 + Lp	100	Rock wool 140 kg/m ³ and endothermic varnish sealing
	EI 120 S Installation within vertical light wall (gypsum blocks wall) with Fire Batt (Weichschott) sealing					
	Wall minimum density 995 kg/m ³	EI 120 S (300 Pa)	(Ø + 800 max) x (Ø + 800 max) (rectangular hole)	215 + Lp	100	Rock wool 140 kg/m ³ and endothermic varnish sealing

1. Rock wool panel 50 mm thick with 140 kg/m³ density.
 2. PROMASTOP E PASTE or HILTI CFS-S ACR type sealant
 3. PROMASTOP E PASTE or HILTI CFS-CT endothermic varnish
 4. Wall indicated in the table
- D Hole size: see table above
 E Damper protrusion from the wall: see table above
 Lp Overlap length between fire damper and duct: see section Dimension



■ Installation within floor with Fire Batt (Weichschott) sealing

Refer to the section Construction supports characteristics for further information.

Comply with the minimum distances indicated on section Minimum distances.

Before and after installation please perform a functional test. Refer to section Mechanism type for further information.

■ Floor opening

A opening must be provided in the floor as indicated in the table and in the drawing.

■ Damper positioning

Position the damper in the opening so that the side of the closing mechanism extends as indicated in the table and in the drawing.

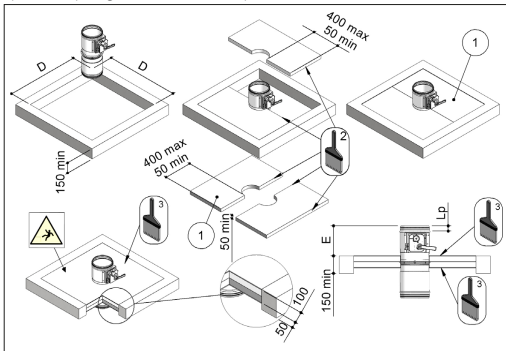
Close the blade before installing the fire damper.

■ Filling

Fill the space between the damper and the floor using Fire Batt (Weichschott) sealing made from two rock wool panels with minimum thickness of 50 mm and minimum density of 140 kg/m³. The panels must be covered on both faces of the wall with endothermic varnish type PROMASTOP E PASTE or HILTI CFS-CT (minimum thickness of 1 mm) and with an internal perimeter sealant type PROMASTOP E PASTE or HILTI CFS-S ACR (minimum thickness of 1 mm).

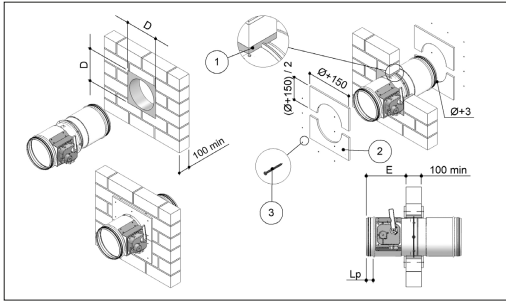
	Fire resistance classification	"D" hole size [mm]	Damper protrusion from the floor "E" [mm]	Floor minimum thickness "s" [mm]	Sealing
El 90 S Installation within floor and Fire Batt (Weichschott) sealing					
Floor minimum density 650 kg/m ³	El 90 S (300 Pa)	(Ø + 800 max) x (Ø + 800 max)	215 + Lp	150	Rock wool 140 kg/m ³ and endothermic varnish sealing

1. Rock wool panel 50 mm thick with 140 kg/m³ density.
 2. PROMASTOP E PASTE or HILTI CFS-S ACR type sealant
 3. PROMASTOP E PASTE or HILTI CFS-CT endothermic varnish
- D Hole size: see table above
 E Damper protrusion from the wall: see table above
 Lp Overlap length between fire damper and duct: see section Dimension



■ EI 90 S Installation within vertical rigid wall

1. Rock wool, 100 kg/m³
 2. Plasterboard arch infill, thickness 12,5 mm
 3. Self-drilling screw \varnothing 3,5 X 45 mm
- D Hole size: see table above
E Damper protrusion from the wall: see table above
Lp Overlap length between fire damper and duct: see section Dimension



■ EI 120 S / EI 180 S Installations within vertical rigid wall

1. Sealing indicated in the table
- D Hole size: see table above
S Wall minimum thickness: see table above
E Damper protrusion from the wall: see table above
Lp Overlap length between fire damper and duct: see section Dimension

