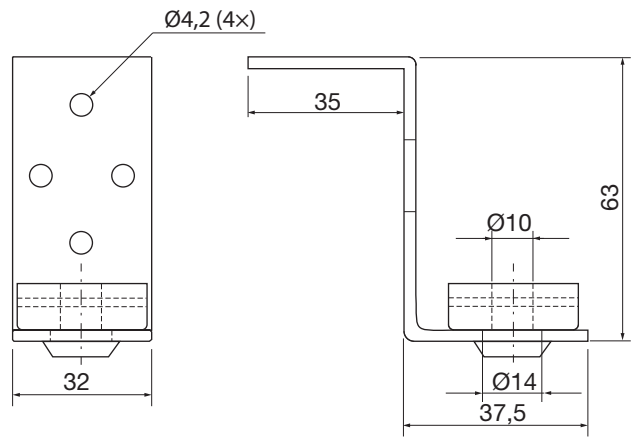


Brackets

WCZGM



Dimensions



Description

Z suspension profile with a plastic shock absorber

For suspension of ventilation ducts.

Easy height adjustment by using threaded rod and hex nuts.
Fixing with blind rivets or self drilling screws.

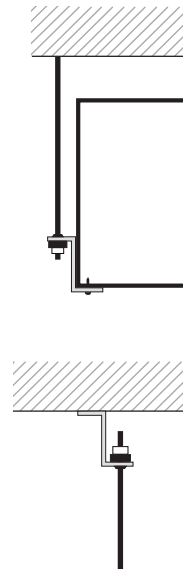
With a plastic element that prevents transmissions of vibrations.

Material: Galvanized steel

Thickness: 2 mm

Ordering example

Product **WCZGM**



Technical data

Max recommended load for different fire classes.

| Installation | Ventilation system | | | | | Smoke control system |
|--------------|---------------------|-----|-----|-----|-----|--------------------------|
| | R0 no fire class | R15 | R30 | R45 | R60 | |
| Type | kg | kg | kg | kg | kg | 600 °C 120 min. kg |
| WCZGM | 80 | - | - | - | - | - |