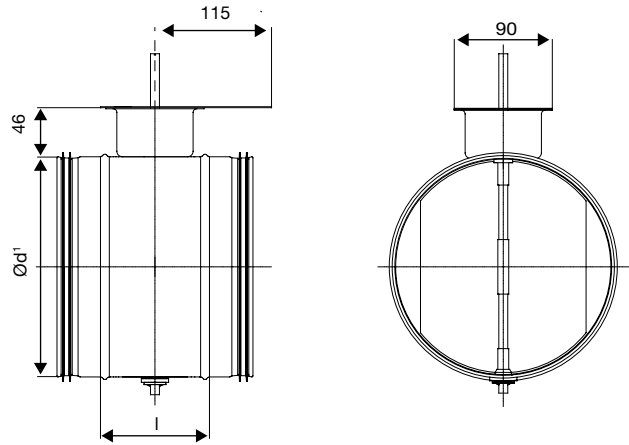


Regulating damper with motor shelf

DRH1U



Dimensions



Description

Regulating damper with motor shelf HYLLA LMNM. Consists of a DRU damper with motor shelf HYLLA LMNM added.

The damper is designed to have a motor added on site.

There is a separate assembly, measuring, balancing and maintenance instruction for this product.

Ø 80–500 fullfills pressure class A in closed position.

Motorizing

See separate motorizing table.

Ød ₁ nom	l [mm]	m [kg]	Sealing class past closed blade
80	100	0,70	0
100	100	0,75	0
125	100	0,90	0
160	100	1,10	0
200	100	1,40	0
250	100	1,90	0
315	100	2,50	0
400	100	4,00	0
500	115	6,50	0

Technical data

For technical data go to [LindQST](#).

Ordering example

