

Lindab **Regula Secura**

Installation instruction



Installation instruction

Regula Secura

Read through the instruction before installation

General description

Regula Secura is working as an “intelligent” switch. When the condensation sensor detects condensation, the Regula Secura cuts the power supply to the actuator of the chilled beams control valve off and therefore shuts the water flow through the product. To secure that this works, it’s important that the actuator is normally closed (NC) type.

Regula Secura captures when the condensation has dried out and starts the power supply again.

Regula Secura works with 24V AC and internal with 3V DC to the condensation sensor. Regula Secura is fed in series with the actuator.

Delivery control

- Regula Secura (injected connection card with 8-points connection splint and red indication diode), (Figure 1).
- Condensation sensor with cable (Figure 2).
- 2 plastic cable ties (Figure 3).

Figure 1. Regula Secura

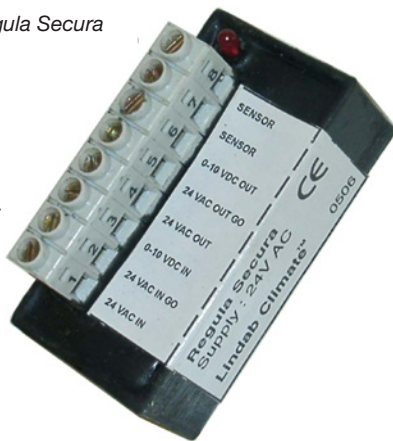


Figure 2. condensator Sensor

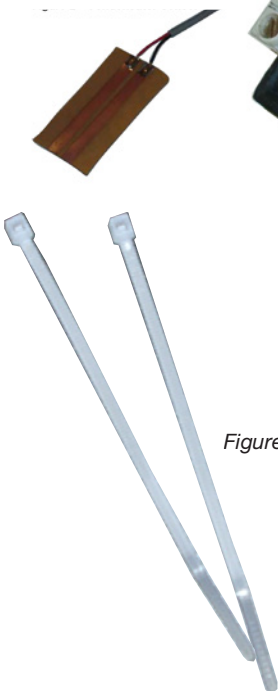


Figure 3. Cable ties

Fitting of Regula Secura

- The sensor is to be fitted on the cooling flow pipe close to the connection point.
- The sensor is pasted around a horizontal, plain copper pipe (the inlet water pipe) and is secured with two stripes (cable tie) on the outside of the copper tracks (Figure 4). Make sure that the surface is cleaned before fitting. It should be avoided to short-circuit between the condensation sensors, copper tracks, and the copper pipe.



Figure 4 - Sensor fitted around horizontal smooth pipe and secured with 2 cable ties.

- Fit Regula Secura on an appropriate even surface on the product close to the sensor (Note: Do not attach the Regula Secura on a rough surface). Clean the surface before mounting Regula Secura with the double-coated adhesive tape.
- Connection is done according to connection scheme (Figure 5) or according to an actual scheme from wiring scheme configurator on www.lindQST.com.
- Regula Secura is power supplied with 24V AC from the regulation central, e.g. Regula Combi or Regula Duo.
- After completed fitting make a function control according to below function check procedure.

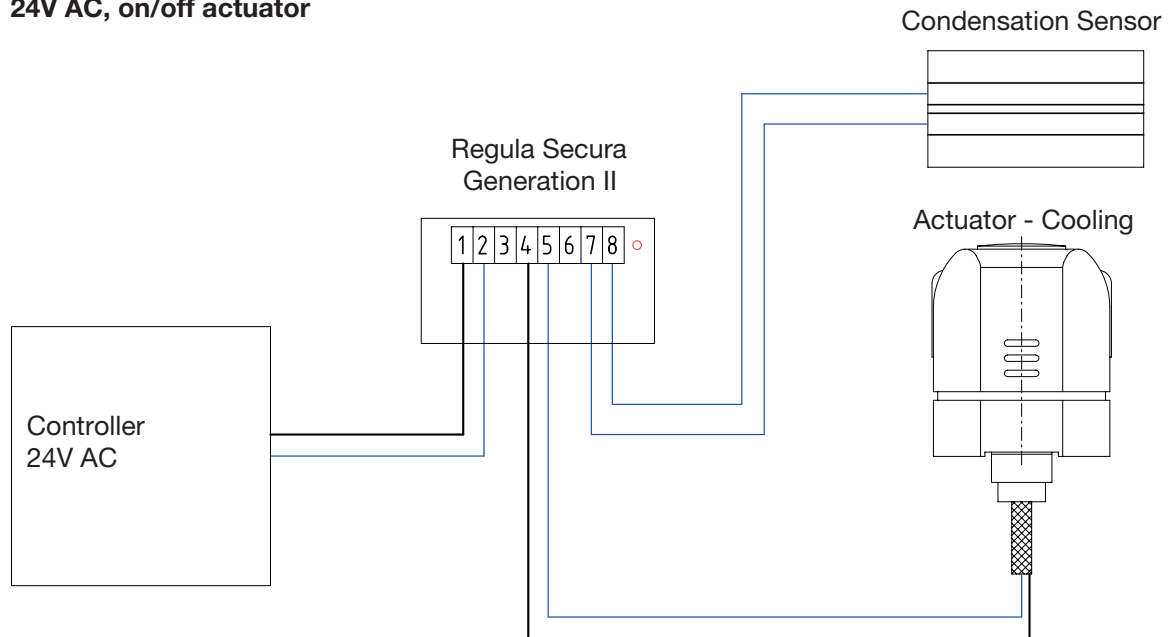
Function control

1. Check that all is fitted according to Figure 5, page 3.
2. Adjust the regulation central to use cooling and make sure the Regula Secura is supplied with power.
3. Moist your finger and place it towards the copper tracks on the condensation sensor. The red diode should flash and hereby Regula Secura indicates condensation. Move your finger. The diode turns off when the condensation has dried out
4. Moist your finger and place it on one of the copper track sensors in order to short-circuit between the sensor copper track and the copper pipe. This procedure SHOULD NOT make the diode flash. Repeat this procedure with the other copper track. If the diode flashes while doing this test this is due to short-circuit. The probable error is that the sensor is mounted wrong. Demount the sensor and fit a new one.

Installation instruction

Regula Secura

24V AC, on/off actuator



24V AC, 0...10VDC actuator

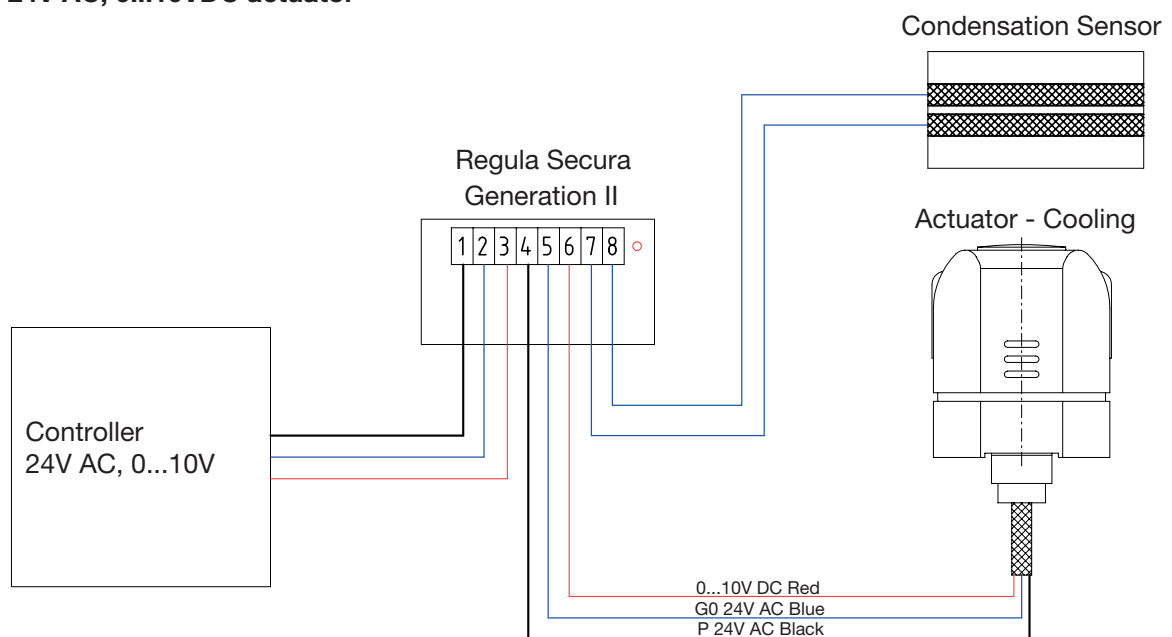


Figure 5. Connection schemes 24 V AC on/off and 24 V AC, 0-10 V.

General information

1. Input 24 V AC
 2. Input 24 V AC system neutral
 3. Input 0-10 V DC (Optional)
 4. Output 24 V AC
 5. Output 24 V AC system neutral triac controlled
 6. Output 0-10 V DC (Optional)
 7. Input condensation sensor
 8. Input condensation sensor system
- 0...10 V-connection is optional.
 - If you use an actuator with 0...10 V-connection, use plug 3 and 6 for incoming and outgoing power respectively, on the connection terminal board.
 - If an on/off actuator is used, plug 3 and 6 are not connected.

Installation instruction

Regula Secura

PLEASE NOTE

- Extension of cables.
The cable between Regula Secura and the condensation sensor should not be extended.
The cable to Regula Secura and the cable between Regula Secura and actuator is 2 x 0.75 mm².
- Capacity.
One Regula Secura can operate three actuators. Each actuator uses max. 200 mA in the start moment. and less than 500 mA in total with continuous operation.
- Valve placement.
The valve should be placed in order to shut off the flow through the product.



Most of us spend the majority of our time indoors. Indoor climate is crucial to how we feel, how productive we are and if we stay healthy.

We at Lindab have therefore made it our most important objective to contribute to an indoor climate that improves people's lives. We do this by developing energy-efficient ventilation solutions and durable building products. We also aim to contribute to a better climate for our planet by working in a way that is sustainable for both people and the environment.

[Lindab](#) | For a better climate