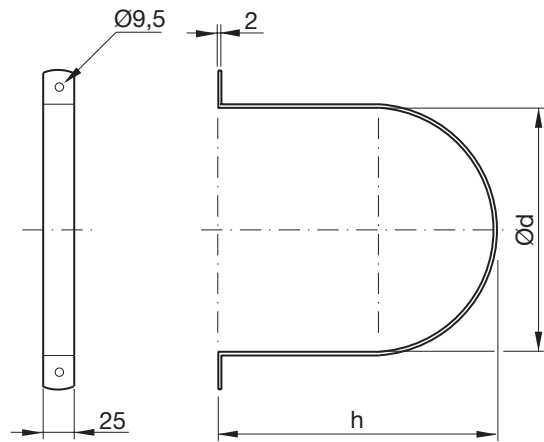


# Suspension ring wall/ceiling

# UVB



## Dimensions



## Description

UVB is a suspension ring for circular ducts ,and is used when there is a need to mount ducts with minimal distance to wall or ceiling.

UVB has a cross-sectional area of at least 30 mm<sup>2</sup>

UVB is made of galvanized steel plate 25 x 2 mm.

For suspension use M8 nuts.

Ød nom	h [mm]	m [kg]
80	90	0,14
100	110	0,15
125	135	0,18
160	170	0,22
200	210	0,27
250	260	0,30
315	325	0,39
400	410	0,49
500	510	0,60
630	640	0,74

## Ordering example

