

# Ceiling adjustment

# LCR

## Description

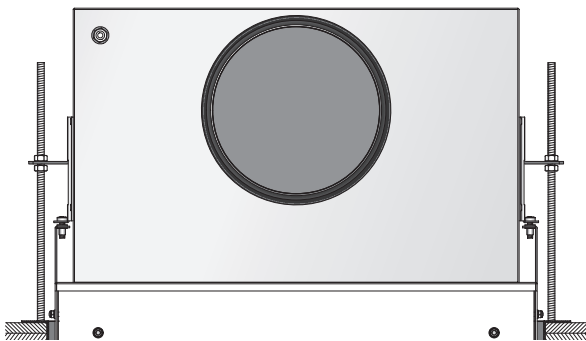
Diffusers LCR-1, LCR-3 and LCR-4 in size 600 are suitable for installation in different types of ceiling. The various options for adjusting the diffuser range for ceilings are shown below.

To achieve maximum tightness between the diffuser and ceiling/wall, it is recommended that a seal be used around the diffuser.

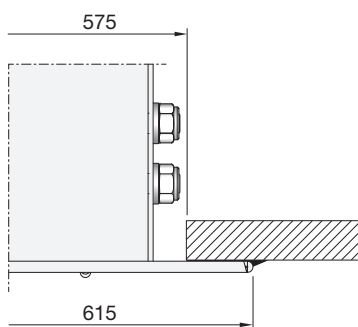
To ensure that the LCR diffuser can be easily fed into the ceiling recess/rail system, the diffuser with circular side connection is equipped with a detachable connection.

## Other ceiling types (walkable ceiling)

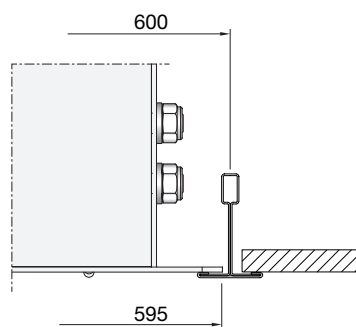
A diffuser solution can be supplied for installation in walkable ceilings. For installation and removal of a filter, it is possible to use filter installation tool LCRZ4.



**Fixed ceiling**



**15/24 mm visible T-rail ceiling**



**Clip-In ceiling**

