

# Smoke control damper

# WXHU



WXHU AA



WXHU MA

## Description

Circular smoke control damper for smoke and heat evacuation systems for single compartment. The damper casing is made of galvanized steel with LindabSafe connection with leakage class C according with EN1751. The damper has two different motorized versions depending on the relay response required: type AA (Automatic Activation) and type MA (Manual Activation, with fire rated motor covering box). The smoke damper is CE marked and certified according to EN12101-8, tested according to EN1366-10 and classified according to EN13501-4. The damper is suitable for vertical and horizontal installation in single compartment smoke duct evacuation systems with maximum temperature of 600°C for 2 hours with smoke leakage class S at 1500Pa negative pressure.

## Classification (EN13501-4)

$E_{600} 120 (v_{ed}, h_{od} i \leftrightarrow o) S 1500 C_{10000}$  AA single  
 $E_{600} 120 (v_{ed}, h_{od} i \leftrightarrow o) S 1500 C_{10000}$  MA single

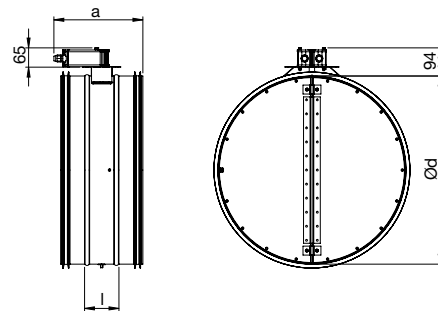
Product code		
Type	WXH	Circular smoke damper
Connection	U	Safe gasket
Relay Response	SAA	Single Automatic Activation
	SMA	Single Manual Activation
Motor type	V00	Belimo BLE24 V AC/DC
	D00	Belimo BLE230 V AC
Dimension	XYZ	Nominal diameter (mm)

## Ordering example

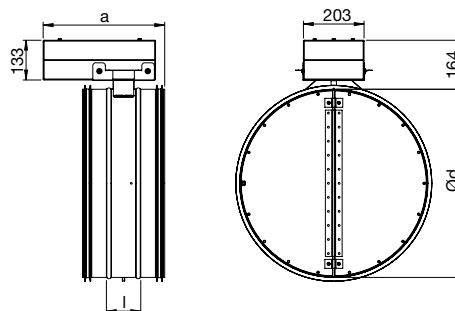
	<b>WXHU</b>	<b>SMA</b>	<b>D00</b>	<b>200</b>
Type				
Relay response				
Motor type				
Dimension Ød				

## Dimension

### Type AA Ø 100-630 mm



### Type MA Ø 100-630 mm

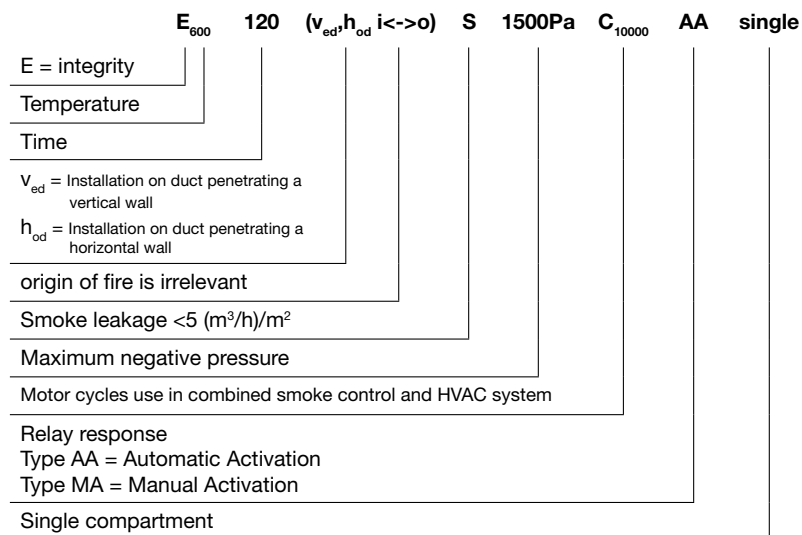


Ød nom	l mm	Type AA		Type MA	
		a mm	m kg	a mm	m kg
100	100	250	3,2	376	5,7
125	100	250	3,4	376	5,9
160	100	250	3,6	376	6,1
200	100	250	3,9	376	6,4
250	100	270	4,5	379	7,0
315	100	270	5,2	379	7,7
355	100	270	5,5	379	8,0
400	100	290	6,8	399	9,3
450	100	290	8,1	399	10,6
500	115	298	9,5	407	12,0
560	115	298	11,0	407	13,5
630	115	298	12,5	407	15

# Smoke control damper

WXHU

## Classification details



## Technical data for the motors

### BLE motor

	<b>BLE24</b>	<b>BLE230</b>
Power supply.....	AC/DC 19.2 28,8 V, 50/60 Hz	AC 198-264 V, 50/60 Hz
Power consumption.....	7,5 W	5 W
For wire sizing.....	9 VA	12 VA
Connection.....	Cable 1 m, 3x0,75 mm <sup>2</sup>	Cable 1 m, 3x0,75 mm <sup>2</sup>
Operative angle.....	Max. 90°	Max 105°
Torque at rated voltage.....	Min. 15 Nm	Min. 15 Nm
Direction of rotation.....	Selected by mounting L/R	Selected by mounting L/R
Position indication.....	Mechanical with pointer	Mechanical with pointer
Running time.....	<30 s for 90°	<30 s for 90°
Sound power level.....	Max. 62 dB (A)	Max. 62 dB (A)
Protection class.....	III Safety extra-low voltage	II totally insulated
Protection type.....	IP 54	IP54
Ambient temperature range.....	-30 to +50°C	-40 to + 80°C
Ambient moisture.....	95 % RH	95 % RH

