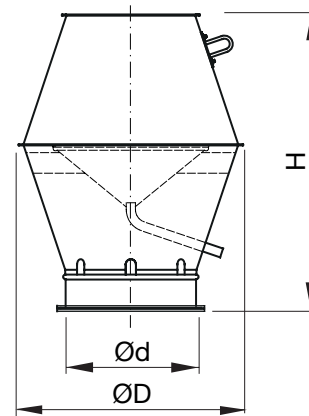


Roof hood

HF



Dimensions



Description

Ventilation hood for air exit above roof, suitable for both industrial and comfort ventilation. The air is ejected in an upwards-directed jet. This avoids contaminating the air in the vicinity of the hood, and soiling of the area around the hood. The ejection is so effective that you can install a fresh air inlet in the immediate vicinity of the hood, without any special precautions.

NOTE! When fans are not running there is always a risk for drifting snow and damp to penetrate into ducts. At some occasions also condensation can cause trouble.

The hood is made of galvanised sheet steel, and can also be supplied in other materials such as stainless steel sheet 1.4301, stainless acid-resistant steel sheet 1.4404, and painted in various colours, to special order. It has a net over the opening and an internal rain funnel to collect rainwater and snow, which is drained out of the hood through a hose. The hose can withstand temperatures of between -45 and +65 °C.

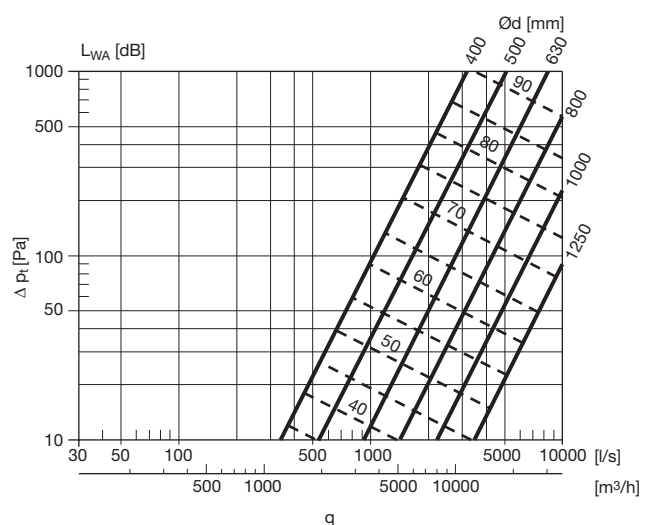
To avoid damage to the net in the opening the hood is supplied with transport protection. This must be removed before the hood is taken into service.

The hood is delivered with lifting and anchoring loops. A single wire-loop shall not be exposed for forces exceeding 1500 N.

The hood is delivered with a flange connection and an opposing flange with matching properties to be used when installing the hood. Note that other products may have other flanges with other properties and may not fit. Always specify the flanch properties properly if the hood should fit a flange other than the supplied opposing flange.

Ød nom	ØD [mm]	H [mm]	m [kg]	Roof through connection TGR	
				50 [mm]	100 [mm]
Size					
400	685	905	11,1	5	6
500	855	1055	20,0	6	7
630	1075	1295	38,0	8	9
800	1360	1640	63,0	9	10
1000	1600	2110	89,1	11	12
1250	2020	2615	118	14	15

Technical data



Ordering example

Product **HF** **630**
 Dimension Ød