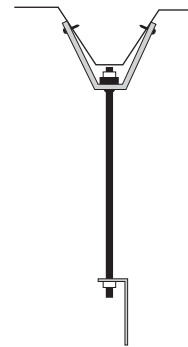
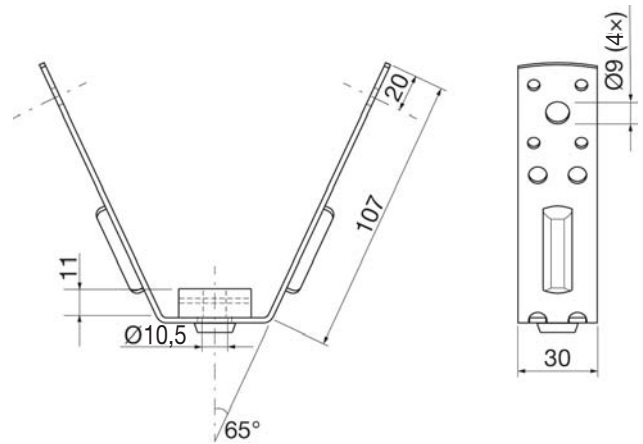


Brackets

WCVG



Dimensions



Description

V suspension profile with a plastic shock absorber.

For suspension of ventilation ducts with the use of threaded rods.

Allows fixing against trapeze type ceilings with self-drilling screws or blind rivets.

With a plastic element that prevents transmissions of vibrations.

Material: Galvanized steel

Thickness: 2 mm

Ordering example

Product WCVG