

Bend – long, lockseamed

BSFUSS 90°

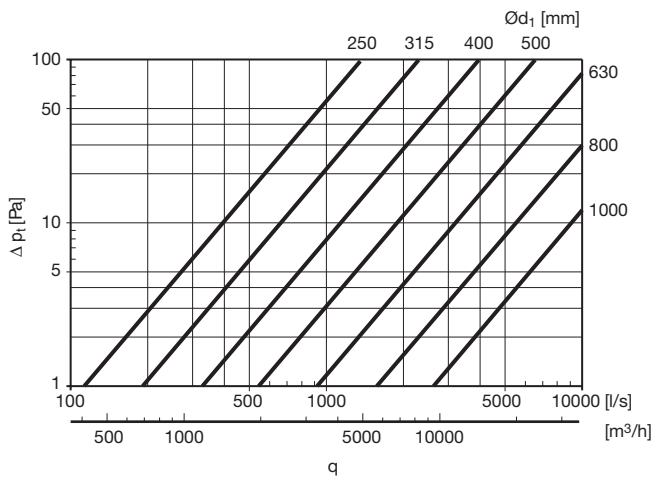


Description

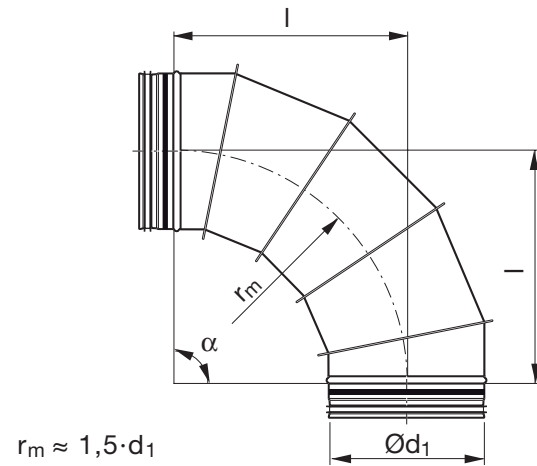
Segmented and lockseamed bend.

The product is CE marked according to EN 12101-7 and used in a circular smoke control system - single compartment (see declaration of performance).

Technical data

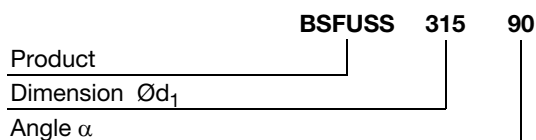


Dimensions



$\text{Ø}d_1$ nom	l [mm]	m [kg]
250	375	2,70
280	420	3,33
300	450	3,60
315	473	4,20
355	533	4,60
400	600	8,30
450	675	10,2
500	750	11,9
560	840	15,2
600	900	17,0
630	945	18,8
710	1065	22,7
800	1200	26,9
900	1350	39,3
1000	1500	47,7

Ordering example



Bend – long, lockseamed

BSFUSS 45°

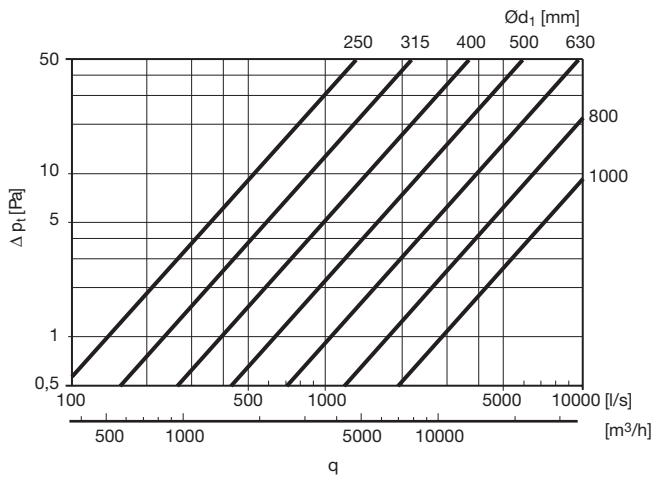


Description

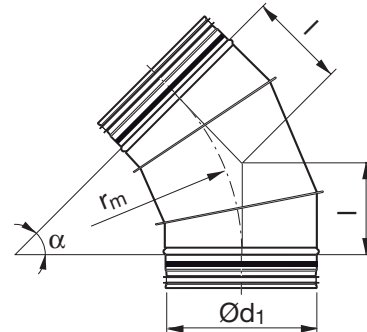
Segmented and lockseamed bend.

The product is CE marked according to EN 12101-7 and used in a circular smoke control system - single compartment (see declaration of performance).

Technical data



Dimensions



$$r_m = 1,5 \cdot d_1$$

Ød ₁ nom	l [mm]	m [kg]
250	155	1,60
280	174	1,81
300	186	2,00
315	196	2,26
355	221	2,60
400	249	4,50
450	280	5,53
500	311	6,60
560	348	7,95
600	373	8,80
630	391	9,50
710	441	11,1
800	497	13,1
900	559	18,9
1000	621	23,9