

# Plenum box

# PVCU/PVCUU



## Description

The plenum box is intended for supply and exhaust air.

PVCU has female connection and is intended to accommodate directly a valve. PVCUU has Lindab Safe® connection and is intended to accommodate a valve with a duct.

It is designed for ceiling installation but can be used at other locations as well.

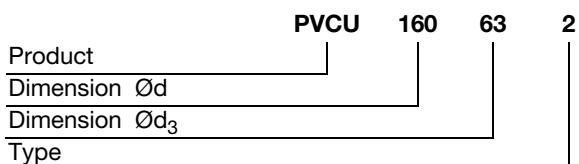
All types have couplings with Lindab safe sealings for connections of SR spiral-seamed ducts or semiflexible ducts LFPE. Boxes with Ø 76 couplings with Lindab safe sealings are intended for direct connection of the semiflexible duct LFPE. It is not intended for SR spiral-seamed duct.

The Smart Lock function allows you to fasten LFPE effortlessly to the Safe couplings.

Fulfills the requirements for air tightness class D.

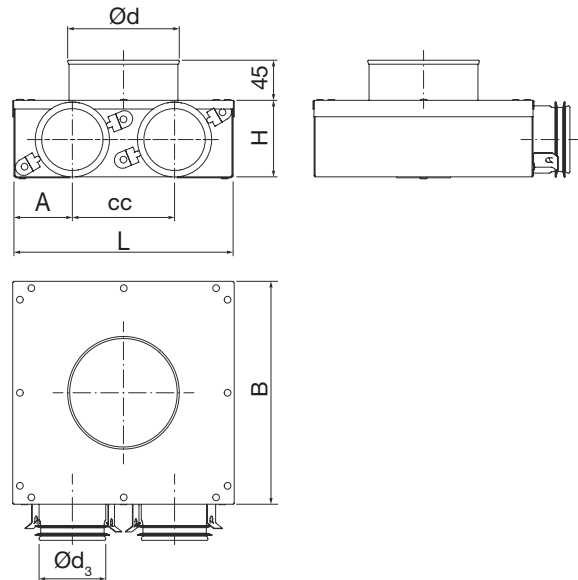
The shown pressure drop is for the box alone, which means that the pressure drop for the valve has to be added.

## Ordering example

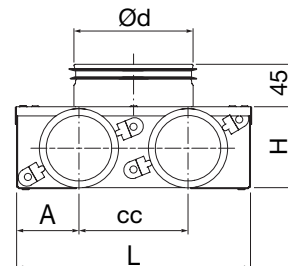


## Dimensions

### PVCU



### PVCUU



Ød nom	Ød <sub>3</sub> nom	Type **	L mm	B mm	h mm	cc mm	m kg
80	63	1	184	182	70	-	0,65
80	63	2	206	204	70	95	0,75
100	63	1	184	182	70	-	0,70
100	63	2	206	204	70	95	0,80
125	63	1	184	182	70	-	0,70
125	63	2	206	204	70	95	0,80
125	63	3	297	295	70	95	1,40
160	63	2	216	214	70	95	1,00
80	76	1	187	182	95	-	0,95
100	76	1	184	182	95	-	0,96
100	76	2	249	206	95	125	1,29
100	76	3	321	295	95	100	1,58
125	76	1	184	182	95	-	0,80
125	76	2	249	204	95	125	1,30
125	76	3	321	295	95	125	1,58
160	76	1	216	214	95	-	1,00
160	76	2	249	214	95	125	1,30

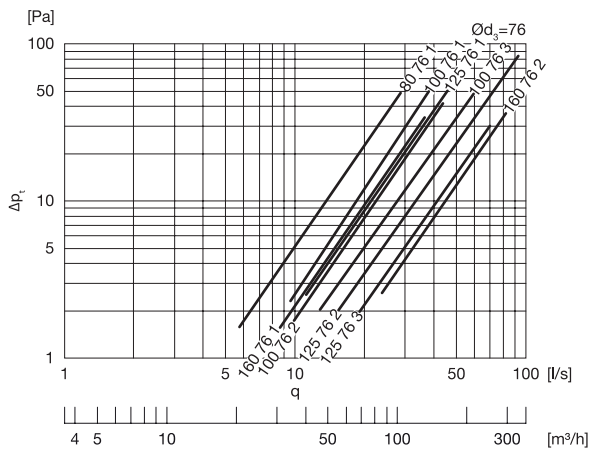
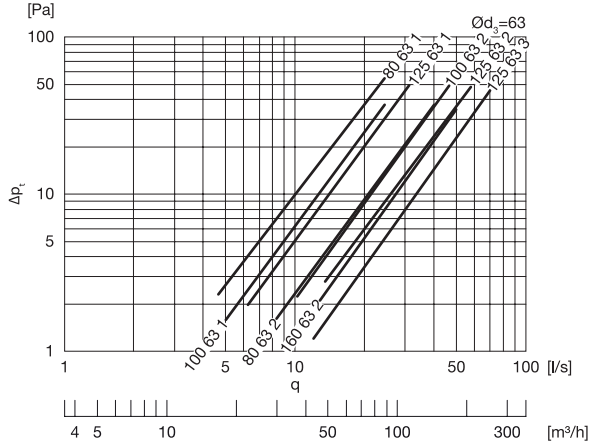
\*\* Number of Ød<sub>3</sub> connections.

# Plenum box

# PVCU/PVCUU

## Technical data

### Accumulation (supply air)



### Distribution (exhaust air)

