

Regulating damper

DTBVU



Description

DTBVU is a damper, which facilitates continuously balancing of ventilation systems and can be controlled by a superior control system.

The damper can be ordered with the following control option:

24 V motor with 2-10 V analog control signal (motortype **-SR**).

24 V motor with data bus control; Modbus, BACnet, MP-Bus (motortype **-MOBA**).

The motor shall be completed with control signal transmitter e.g. an external potentiometer or a proportionally regulating thermostat or an external control device adopted to data bus communication.

The motor has overload protection and stops automatically when the blade has reached its end stop. The stop can be continually adjusted. Although the current is connected, the motor is not damaged if blocked.

The spindle and motor can be disconnected from each other via a release button on the motor housing.

In outdoor installation, the motor should be protected from direct UV radiation.

The motor is installed at a distance from the damper, which makes it easy to insulate the ventilation duct.

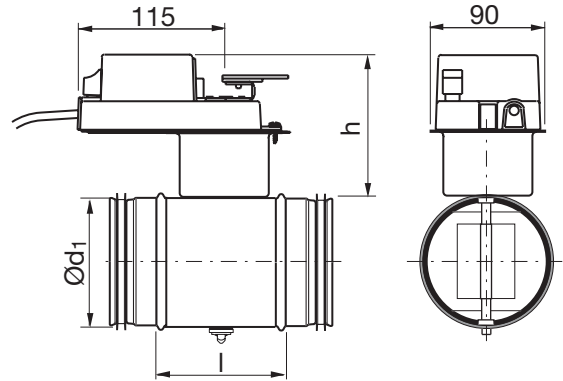
There is a separate assembly, measuring, balancing and maintenance instruction for this product.

Ordering example

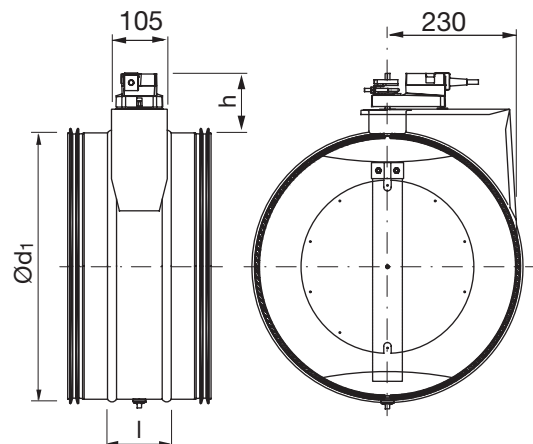
	DTBVU	200	24	LM-SR
Product				
Dimension $\varnothing d_1$				
Voltage				
Motor type				

Dimensions

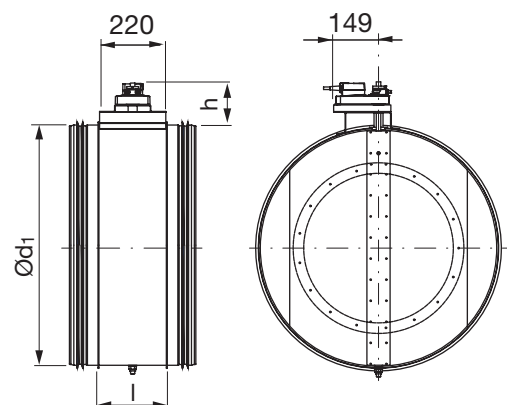
Ø80-500



Ø630



Ø710-800



Regulating damper

DTBVU

Dimensions

Ød ₁ nom	l [mm]	h [mm]	m [kg]	Motor type	Sealing class past closed blade	Pressure class in closed posi- tion	Link to technical data for Belimo motors
80	100	107	1,00	LM-MOBA	4	C	LM24A-MOD
80	100	107	1,00	LM-SR	4	C	LM24A-SR
100	100	107	1,08	LM-MOBA	4	C	LM24A-MOD
100	100	107	1,08	LM-SR	4	C	LM24A-SR
125	100	107	1,23	LM-MOBA	4	C	LM24A-MOD
125	100	107	1,23	LM-SR	4	C	LM24A-SR
160	100	107	1,44	LM-MOBA	4	C	LM24A-MOD
160	100	107	1,44	LM-SR	4	C	LM24A-SR
200	100	107	1,74	LM-MOBA	4	C	LM24A-MOD
200	100	107	1,74	LM-SR	4	C	LM24A-SR
250	100	107	2,22	LM-MOBA	4	C	LM24A-MOD
250	100	107	2,22	LM-SR	4	C	LM24A-SR
315	100	107	2,84	LM-MOBA	4	C	LM24A-MOD
315	100	107	2,84	LM-SR	4	C	LM24A-SR
400	100	114	4,59	NM-MOBA	4	B	NM24A-MOD
400	100	114	4,59	NM-SR	4	B	NM24A-SR
500	115	114	7,29	NM-MOBA	4	B	NM24A-MOD
500	115	114	7,29	NM-SR	4	B	NM24A-SR
630	120	112	10,2	SM-MOBA	4	B	SM24A-MOD
630	120	112	10,2	SM-SR	4	B	SM24A-SR
710	230	140	19,9	GM-SR	4	A	GM24A-SR
800	230	140	22,4	GM-SR	4	A	GM24A-SR

Technical data

For technical data go to [LindQST](#).