

Saddle collar

VPS



Description

The VPS is an extra saddle piece equipped by the factory with a short bayonet socket. This means that the valve can be screwed directly into the saddle piece, ensuring a good finish between the saddle piece and the valve.

The VPS can be used with the following valves: KI, KIR, KU and KSU.



Choice of valve size:

$\text{Ø}d_3 = 140$: use valvesize 100

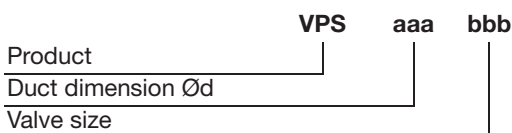
$\text{Ø}d_3 = 160$: use valvesize 125

$\text{Ø}d_3 = 200$: use valvesize 160

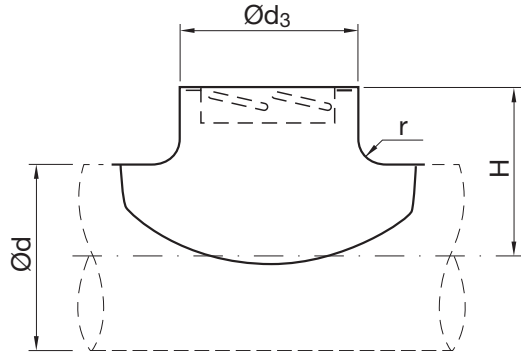
$\text{Ø}d_3 = 250$: use valvesize 200

(Go to dimensiontable in next column. When ordering, please state the dimensions of the main duct ($\text{Ø}d$) as well as the valve type and size).

Order code



Dimensions



$\text{Ø}d_3$ mm	$\text{Ø}d$ mm	r mm	H mm	Weight kg
140	140	20	125	0.4
140	150	20	130	0.4
140	160	20	135	0.4
140	180	20	145	0.4
140	200	20	155	0.4
140	224	20	167	0.4
140	250	20	180	0.4
140	280	20	195	0.4
140	300	20	205	0.4
140	315	20	213	0.4
160	160	25	140	0.5
160	180	25	150	0.5
160	200	25	160	0.5
160	224	25	172	0.5
160	250	25	185	0.5
160	280	25	200	0.4
160	300	25	210	0.4
160	315	25	217	0.4
160	355	25	238	0.4
160	400	25	260	0.4
160	450	25	285	0.4
160	500	25	310	0.4
200	200	25	160	0.8
200	224	25	172	0.7
200	250	25	185	0.7
200	280	25	200	0.7
200	300	25	217	0.7
200	315	25	238	0.7
200	355	25	260	0.7
200	400	25	285	0.7
200	500	25	310	0.7
200	560	25	340	0.7
200	630	25	340	0.7
250	250	25	205	1.1
250	280	25	220	0.9
250	300	25	237	0.9
250	315	25	258	0.9
250	355	25	280	0.9
250	400	25	305	0.9
250	450	25	330	0.9
250	500	25	360	0.9
250	560	25	395	0.7
250	630	25	340	0.7