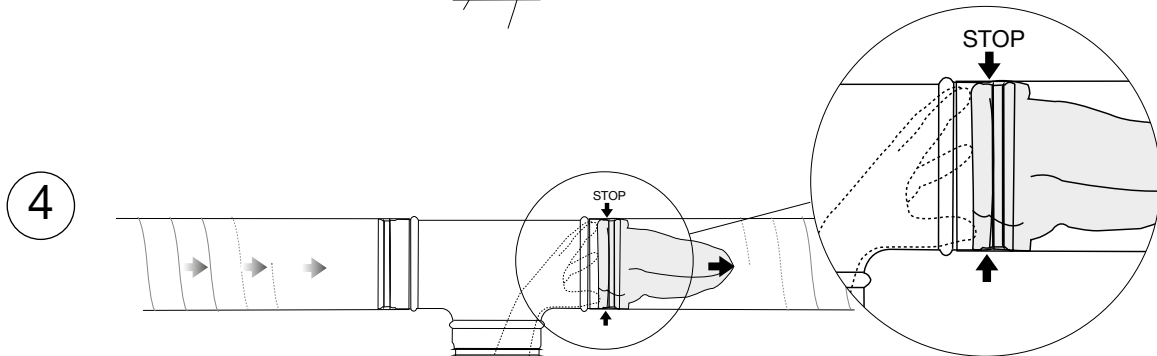
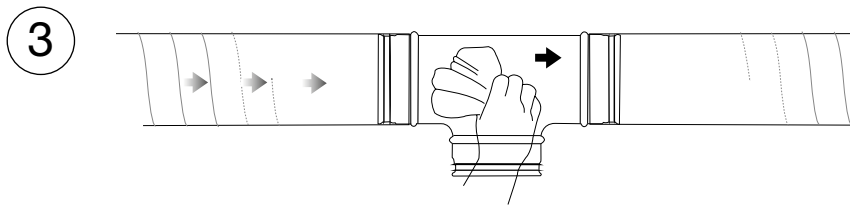
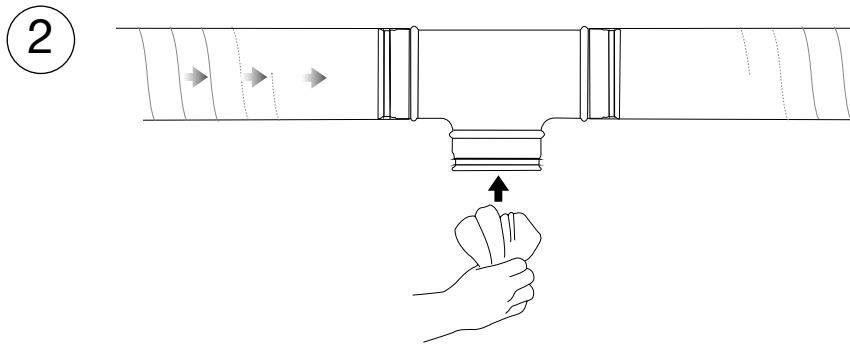
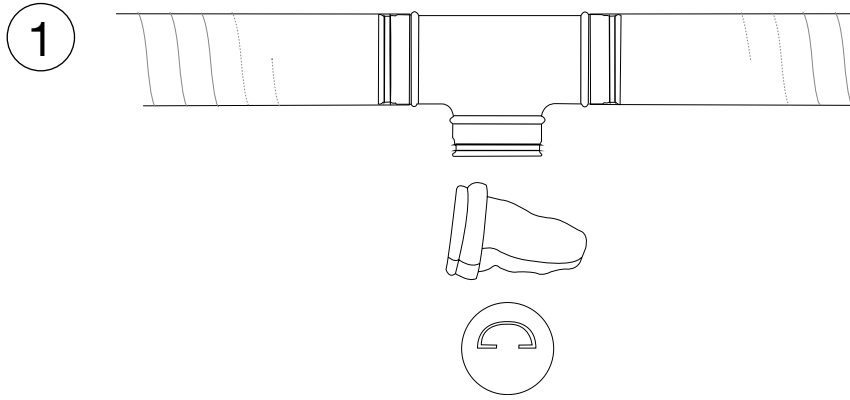




Lindab **DuctfilterSTR**

Mounting instructions



Thanks to this stop, it's not possible to press the filter too long inside the duct.

