

# Shut-off damper with motor

# DTBLU



## Description

Shut-off damper with electric motor LM 24 A-F, LM 230 A-F, CM 24 F or CM 230 F.

Consists of a DTU damper with a 24 or 230 V motor added. Has a low height to fit at narrow spaces.

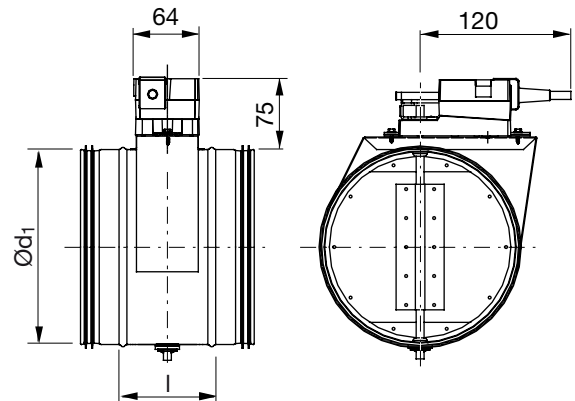
In outdoor installation, the motor should be protected from direct UV radiation.

There is a separate assembly, measuring, balancing and maintenance instruction for this product.

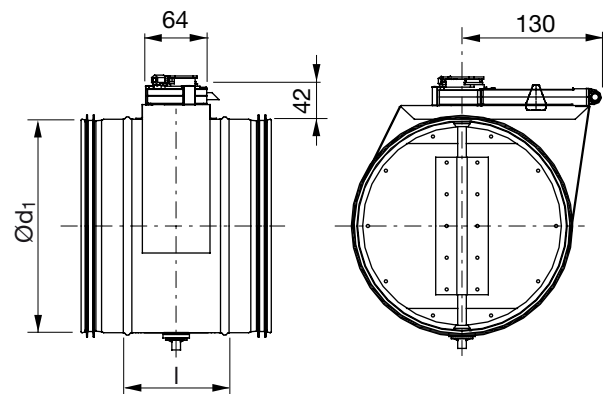
Fulfills pressure class C in closed position.

## Dimensions

### LM-motor



### CM-motor



## Ordering example

	<b>DTBLU</b>	<b>125</b>	<b>24</b>	<b>LMF</b>
<b>Product</b>				
Dimension Ød <sub>1</sub>				
Voltage				
Motor type				



## Shut-off damper with motor

## DTBLU

## Dimensions

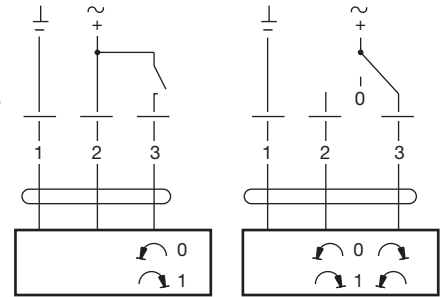
Ød <sub>1</sub> nom	l [mm]	m [kg]	Motor type	Sealing class past closed blade	Pressure class in closed posi- tion	Design	Link to technical data for Belimo motors
80	100	1,06	TF-SR	4	C	1	<a href="#">TF24-SR</a>
80	100	1,06	TF	4	C	1	<a href="#">TF24</a> <a href="#">TF230</a>
80	100	2,54	NF-MOBA	4	C	3	<a href="#">NF24A-MOD</a>
100	100	1,14	TF-SR	4	C	1	<a href="#">TF24-SR</a>
100	100	1,14	TF	4	C	1	<a href="#">TF24</a> <a href="#">TF230</a>
100	100	2,62	NF-MOBA	4	C	3	<a href="#">NF24A-MOD</a>
125	100	1,29	TF-SR	4	C	1	<a href="#">TF24-SR</a>
125	100	1,29	TF	4	C	1	<a href="#">TF24</a> <a href="#">TF230</a>
125	100	2,77	NF-MOBA	4	C	3	<a href="#">NF24A-MOD</a>
160	100	1,50	TF-SR	4	C	1	<a href="#">TF24-SR</a>
160	100	1,50	TF	4	C	1	<a href="#">TF24</a> <a href="#">TF230</a>
160	100	2,98	NF-MOBA	4	C	3	<a href="#">NF24A-MOD</a>
200	100	1,90	TF-SR	4	C	1	<a href="#">TF24-SR</a>
200	100	1,90	TF	4	C	1	<a href="#">TF24</a> <a href="#">TF230</a>
200	100	3,58	NF-MOBA	4	C	3	<a href="#">NF24A-MOD</a>
250	100	3,29	LF	4	C	2	<a href="#">LF24</a> <a href="#">LF230</a>
250	100	3,39	LF-SR	4	C	2	<a href="#">LF24-SR</a>
250	100	3,99	NF-MOBA	4	C	3	<a href="#">NF24A-MOD</a>
315	100	3,91	LF	4	C	2	<a href="#">LF24</a> <a href="#">LF230</a>
315	100	4,01	LF-SR	4	C	2	<a href="#">LF24-SR</a>
315	100	4,61	NF-MOBA	4	C	3	<a href="#">NF24A-MOD</a>
400	100	6,32	SFA	4	B	3	<a href="#">SFA</a>
400	100	6,42	SF-SR	4	B	3	<a href="#">SF24-SR</a>
400	100	6,52	SF-MOBA	4	B	3	<a href="#">SF24A-MOD</a>
500	115	8,74	SFA	4	B	3	<a href="#">SFA</a>
500	115	8,84	SF-SR	4	B	3	<a href="#">SF24-SR</a>
500	115	8,94	SF-MOBA	4	B	3	<a href="#">SF24A-MOD</a>
630	115	10,5	SFA	4	B	3	<a href="#">SFA</a>
630	115	10,6	SF-SR	4	B	3	<a href="#">SF24-SR</a>
630	115	10,7	SF-MOBA	4	B	3	<a href="#">SF24A-MOD</a>
710	230	25,2	EF	4	A	4	<a href="#">EF24A</a> <a href="#">EF230A</a>
800	230	27,7	EF	4	A	4	<a href="#">EF24A</a> <a href="#">EF230A</a>

# Shut-off damper with motor

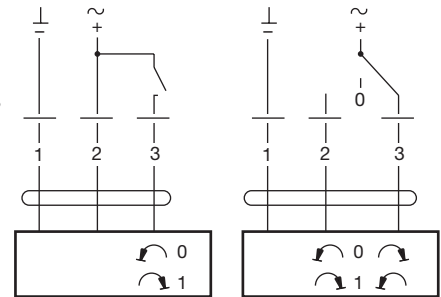
# DTBLU

## Technical data for the motors

	<b>LM 24 A-F</b>	<b>LM 230 A-F</b>
Power supply .....	AC 19,2–28,8 V, 50/60 Hz DC 19,2–28,8 V	AC 65–265 V, 50/60 Hz
Power consumption .....	1 W	1,5 W
For wire sizing .....	2 VA	4 VA
Connection .....	Cable 1 m, 3x0,75 mm <sup>2</sup>	Cable 1 m, 3x0,75 mm <sup>2</sup>
Operating angle .....	Max. 95°, adjustable 0–100%	Max. 95°, adjustable 0–100%
Torque at rated voltage .....	Min. 5 Nm	Min. 5 Nm
Direction of rotation .....	Switch selectable 0 ↺ or 1 ↻	Switch selectable 0 ↺ or 1 ↻
Position indication .....	Mechanical	Mechanical
Running time for 95° .....	150 s	150 s
Sound power level .....	Max. 35 dB (A)	Max. 35 dB (A)
Protection class .....	III Safety extra-low voltage	II Safety insulated
Protection type .....	IP 54	IP 54
Ambient temperature range .....	-30 to +50°C	-30 to +50°C
Ambient moisture .....	95 % RH	95 % RH



	<b>CM 24 F</b>	<b>CM 230 F</b>
Power supply .....	AC 19,2–28,8 V, 50/60 Hz DC 19,2–28,8 V	AC 65–265 V, 50/60 Hz
Power consumption .....	0,5 W	1,5 W
For wire sizing .....	1 VA	3 VA
Connection .....	Cable 1 m, 3x0,75 mm <sup>2</sup>	Cable 1 m, 3x0,75 mm <sup>2</sup>
Operating angle .....	Continuously rotating	Max. 95°, adjustable 0–100%
Torque at rated voltage .....	Min. 2 Nm	Min. 2 Nm
Direction of rotation .....	-L or -R	-L or -R
Position indication .....	Mechanical, removable	Mechanical, removable
Running time for 90° .....	75 s	75 s
Sound power level .....	Max. 35 dB (A)	Max. 35 dB (A)
Protection class .....	III Safety extra-low voltage	II Safety insulated
Protection type .....	IP 54	IP 54
Ambient temperature range .....	-30 to +50°C	-30 to +50°C
Ambient moisture .....	95 % RF	95 % RF



## Technical data

For technical data go to [LindQST](#).

