

Sliding damper – pneumatic

SKPTR



Description

Pneumatic shut-off sliding damper with transfer joint

The damper meets the requirements for tightness class 4 at pressure class C.

The damper meets the requirements for tightness class C only in fully closed or fully opened position.

Pressurized air cylinder with mounted regulation valve is included.

There is a separate assembly, measuring, balancing and maintenance instruction for this product.

SPZZ pinch protection available as accessories to dimension 80–200.

Technical data

Cylinder

Power pressure, normal 0,6 MPa (6 bar)
 , max 1,0 MPa (10 bar)
 Ambient temperature range -20 °C (dry air) to +80 °C
 Working fluid Air, clean and dry

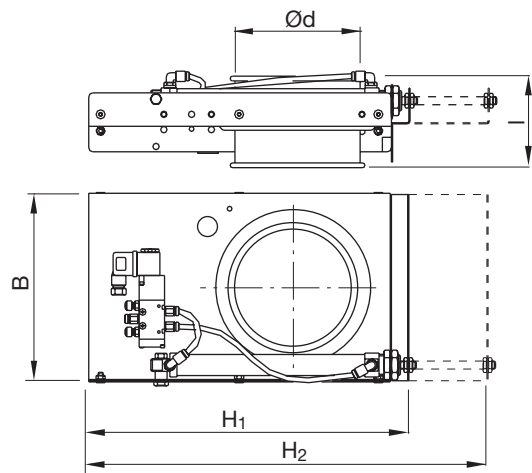
Solenoid valve

Power pressure max 7 bar
 Ambient temperature max +50 °C
 Power supply, standard 230 V~
 , special 24 V~ or 24 V-
 Power tolerance ±10 %
 Power requirements appr. 5 W
 Protection class IP 65
 Insulation class F
 Air connection Quick release for Ø 6 mm hose

Ordering example

Product **SKPTR** **200**
 Dimension Ød

Dimensions



Ød nom	H ₁ [mm]	H ₂ [mm]	B [mm]	l [mm]	m [kg]
80	223	338	157	125	3,00
100	263	398	177	125	3,30
125	314	475	202	125	4,00
140	363	548	227	125	5,00
150	363	548	227	125	5,00
160	383	574	237	125	5,20
180 *	463	699	277	125	6,20
200 *	463	699	277	125	6,20
224 *	562	847	347	165	11,3
250 *	562	849	371	165	13,5
300 *	692	1050	422	165	20,1
315 *	692	1050	422	165	21,1
350 *	763	1160	472	165	25,0
400 *	863	1310	522	165	27,4

* Provided with 2 pneumatic cylinders

Accessories and spare parts

Art.

SPDA-01 Solenoid valve, complete
 SPDA-021 Coil for solenoid valve 24 V DC
 SPDA-022 Coil for solenoid valve 24 V AC
 SPDA-06 Micro switch
 SPDA-07 Support for micro switch
 SPDA-08 Sensor cylinder
 SPDA-09 Support for sensor