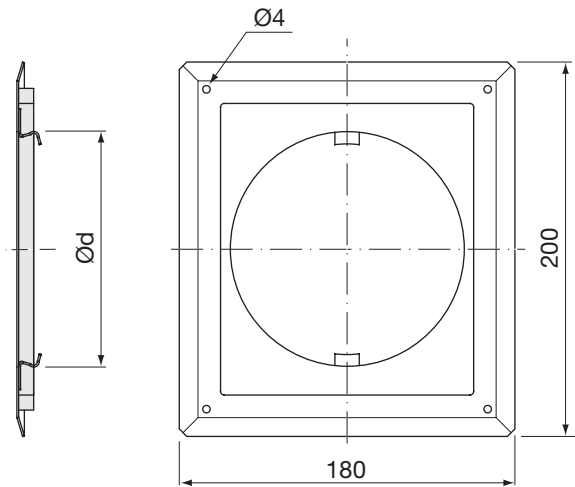


# Cover socket

# VRR



## Dimensions



### Description

Cover socket with groove for unit with spring holder. Are used where older valve types are replaced.

### Materials and finish

#### Material

Coated sheet metal.

#### Colour

White RAL 9003, gloss 30.

Ød nom	m [kg]
100	0,23
125	0,20

### Ordering example

	<b>VRR</b>	<b>125</b>	<b>9003</b>
Product			
Dimension Ød <sub>1</sub>			
Colour			