

Lindab **PRJ**

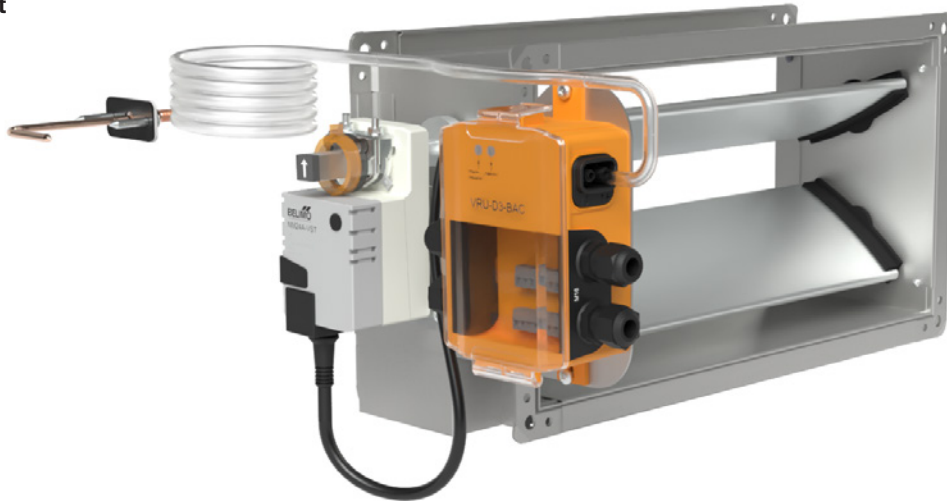
Installation instruction - UK
Asennusohje - FI
Montageanleitung - DE
Istruzioni di montaggio - IT
Instructions de montage - FR



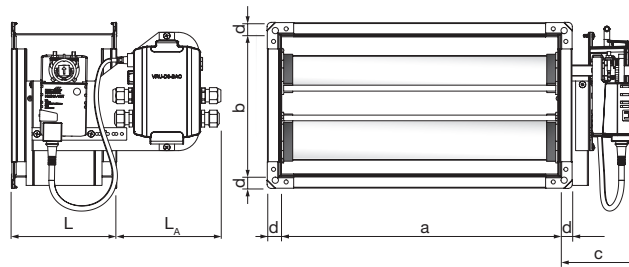
Installation instruction

PRJ

Product
Tuote
Produkt
Prodotto
Produit



Dimensions
Mitat
Maße
Dimensioni
Dimensions



Dimension table

Flange type	d mm	L mm	L _A mm	c mm
LS	20	151	147	115
RJFP20	20	151	147	115
RJFP30	30	151	147	115
RJFP40	40	151	147	115

Motor type table

Type	Regulator	Motor
UNI *	VRU-D3-BAC	NM24A-VST
UNI-M	VRU-M1-BAC	NM24A-VST
UNI-MR **	VRU-M1R-BAC	NM24A-VST
SPR *	VRU-D3-BAC	NF24A-VST
SPR-M	VRU-M1-BAC	NF24A-VST
SPR-MR **	VRU-M1R-BAC	NF24A-VST
FAS-MR **	VRU-M1R-BAC	NMQ24A-VST

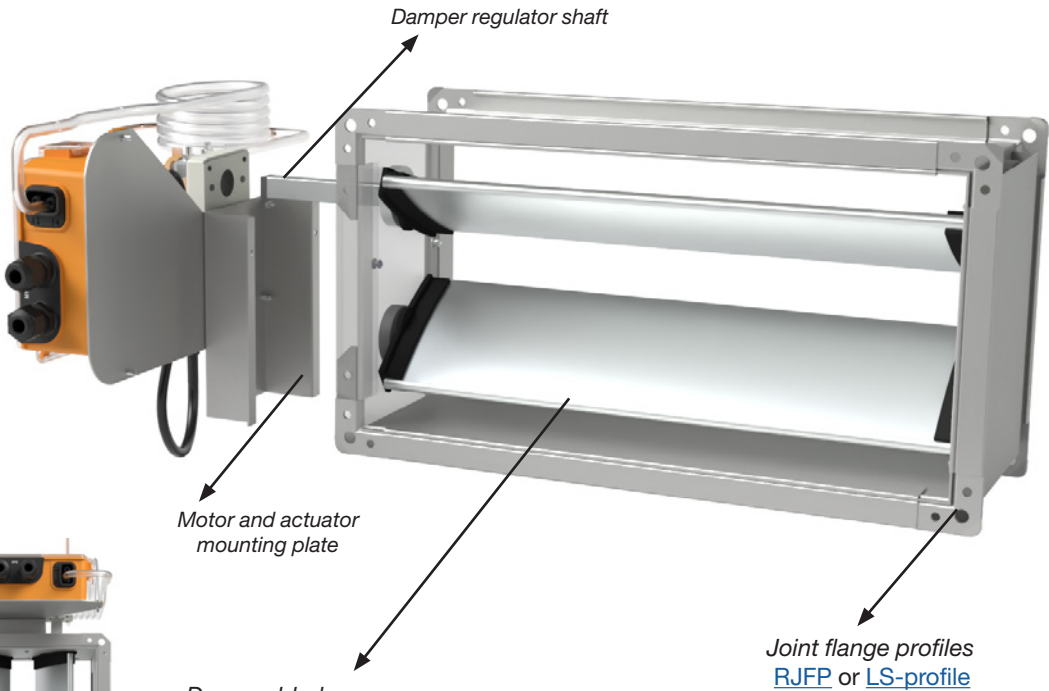
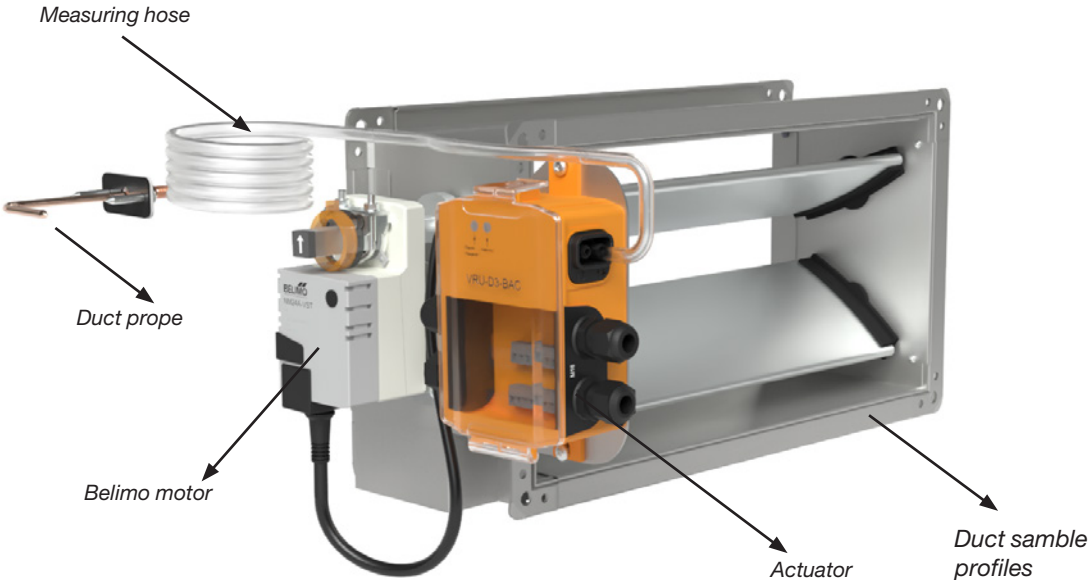
*) Max 20 m measuring hose

**) Measuring hose and probe not included.

Installation instruction

PRJ

PRJ in details

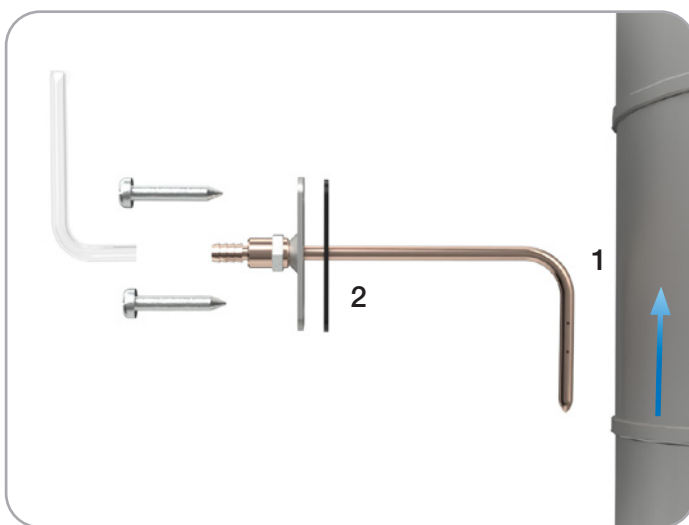


Damper blades
Remember damper blades shall be installed horizontal.
Not Vertical !

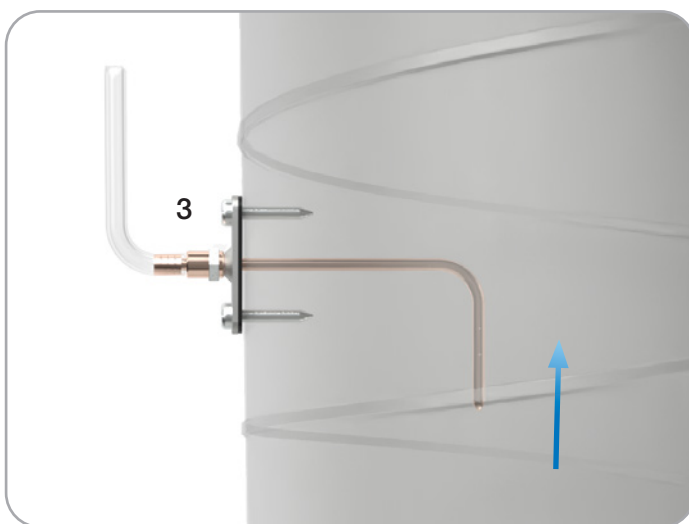
Installation instruction

PRJ

Mounting of PRJ
Kannakointi PRJ
Montage des PRJ
Montaggio di PRJ
Montage de PRJ



1. Drill a hole Ø10 mm in the duct.
2. Assembly the rubber gasket, flange and probe.
3. Mount the probe on the duct, make sure the probe points against the air direction.
4. Mount the hose.




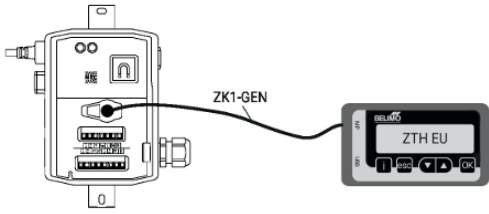
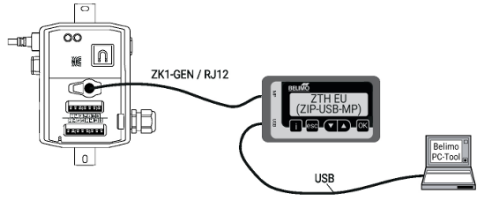
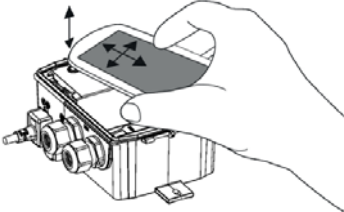
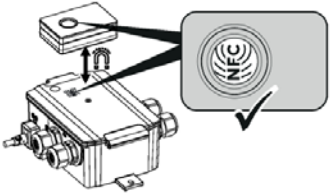
The probe shall point against the air direction in the duct.



Installation instruction

PRJ

Balancing
Säätöohjeet
Einregulierung
Bilanciamento
Réglage

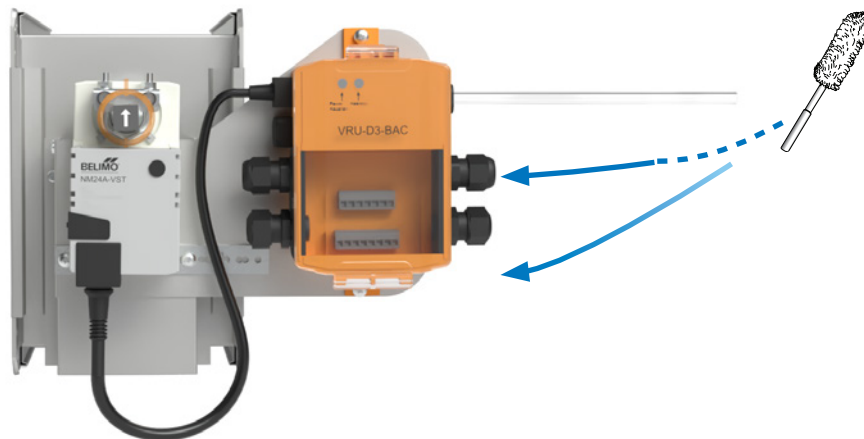
	<p style="text-align: center;">Universal controllers UNI(-M) / SPR(-M) / FAS(-M)</p> 
<p>Belimo Service Tool ZTH-EU</p>	
<p>Belimo PC-Tool MFT-P via ZTH-EU</p>	
<p>Belimo Assistant App with NFC</p>	 <p style="text-align: right;">**</p>
<p>Belimo Assistant App with Bluetooth via ZIP-BT-NFC</p>	 <p style="text-align: right;">**</p>
<p>Note *)</p>	<p>Modbus/Bacnet/KNX settings can be done with ZTH-EU, PC-Tool, or Belimo Assistant App.</p>
<p>Note **)</p>	<p>Belimo Assistant App works with all Universal controllers.</p>

Installation instruction

PRJ

Maintenance:
Huolto
Wartung
Manutenzione
Entretien

The visible parts of the product can be wiped with a damp cloth. The damper and duct can be cleaned through the duct system or demounted. Do not blow into the plastic hoses mounted on the Belimo unit, as this can damage the flow/membrane sensors.

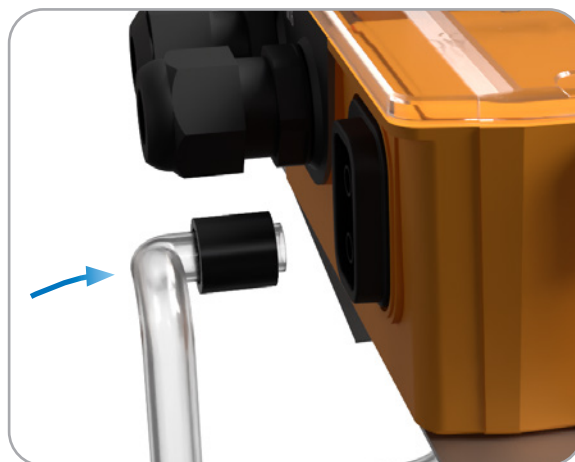
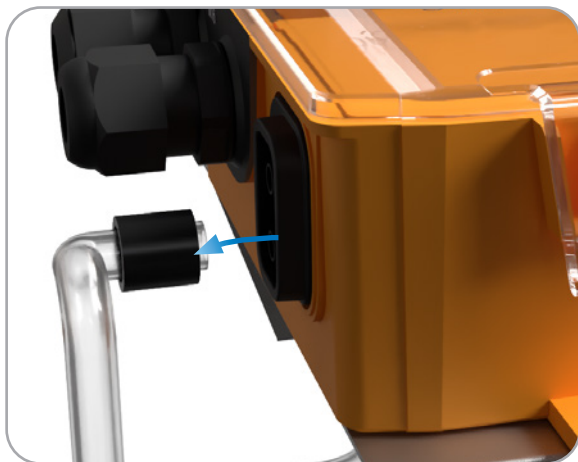


Cleaning the measuring probe

Please demount the hose and use clean air to clean the hose and measuring probe.

Mounting hose

Put the hose back followed by squeezing the black tightness rings back.

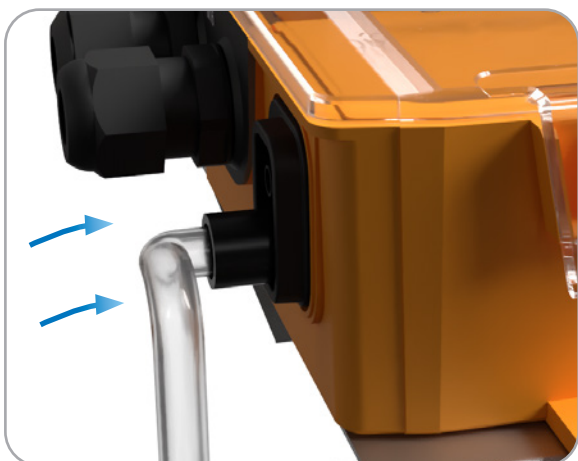


Mounting hose step 1

Put the hose back (bottom slot)

Mounting hose step 2

Squeeze the black tightness rings back.





Most of us spend the majority of our time indoors. Indoor climate is crucial to how we feel, how productive we are and if we stay healthy.

We at Lindab have therefore made it our most important objective to contribute to an indoor climate that improves people's lives. We do this by developing energy-efficient ventilation solutions and durable building products. We also aim to contribute to a better climate for our planet by working in a way that is sustainable for both people and the environment.

[Lindab](#) | For a better climate