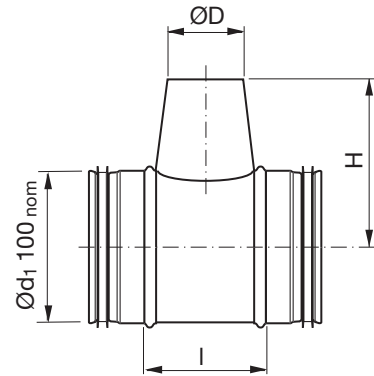


Air entry nozzle

IMSKU



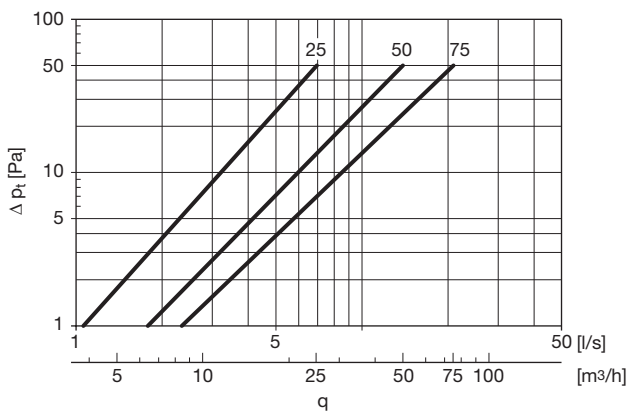
Dimensions



Description

Used for ducting in bomb shelters, and is dimensioned for the air volumes specified by the Civil Defence Board regulations.

Size nom	ØD mm	I mm	H mm	m kg
25	35	85	95	0,31
50	50	110	110	0,38
75	60	110	110	0,39



Size nom	q _{max} m³/h	Maximum no. of persons
25	25	10
50	50	20
75	75	30

Ordering example

Product **IMSKU** **75**

Size _____